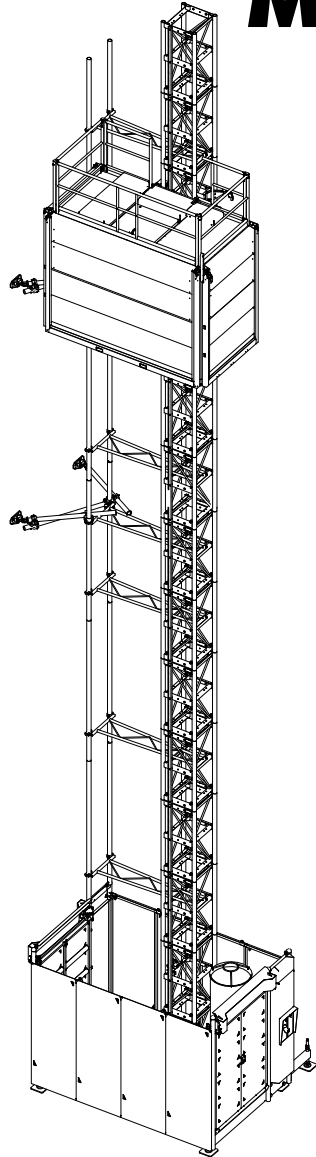


SCANCLIMBER®

PERSONNEL - AND MATERIAL HOIST



SC1837
SC1837 DUET

SPARE PARTS CATALOGUE

SERIAL NO: _____

OY SCANINTER NOKIA LTD

• Turkkirata 26 • FI-33960 PIRKKALA, FINLAND •
• TEL. +358 10 680 7000 • FAX. +358 10 680 7033 •

Vc65B_07.2007

SCANCLIMBER®

SPARE PARTS LIST

NO	DESCRIPTION	SCANCODE
1	Lower station ver. standard	PG118055
1A	Lower station ver. with side door	PG107974
1.1	Mast base	PG106492
	Buffer assembly	PG102652
1.2	Front wall complete ver. ZB88	PG104808
1.3	Back wall complete	PG104873
1.4	Side wall assembly II	PG107976
1.5	Side wall assembly I	PG118056
1.6	Telescopic beam	PG103632
1.7	EI - door complete	
1.8	Service - door	PG102963
1.9	Side door	PG106776
1.91	Side door frame	PG106746
2	Cage complete ver standard	PG118119
	ver. with side door	PG110839
2.1	Cage door assembly	PG105762
2.1.1	Lifting elements	
2.1.1.1	Middle wheels assembly	PG105004
2.2	Top console assembly right	PG101333
2.3	Top console assembly left	PG101335
2.4	Safety brake assembly	PG101746
2.5	Guiding wheels and covers	PG115252
2.6	Railings	PG106944
2.7	Cage cams	
2.8	Side door cam	PG108076
2.9	Cage side door	PG108085
2.9.1	Lifting assembly for side door	PG106606
2.10	Ladders	PG102577
2.11	Roof hatch and cover	
2.12	EI-box frames	
2.13	Hydraulic ramp (option)	PG115063
3	Lifting assembly	
3.1	Overload system	PG101351
4.1	Stop landing railing	PG103389
4.2	Landing door ver. ZB88	PG104171
5.1	Mast section complete ver. std	PG102051
5.2	Mast section complete ver. Fin	PG102511
6.1	Mast anchoring complete L=490-3140mm	PG104739
6.2	Back anchoring complete L=490-735mm	PG105370
6.3	Pulling anchor complete	PG105053
6.4	Elements of vertically anchoring	PG115114
7.1	Limit cams	PG104248
7.2	Stop landing cam	PG102884
8	Cable guide	PG102560
	Cable holder complete	PG104009

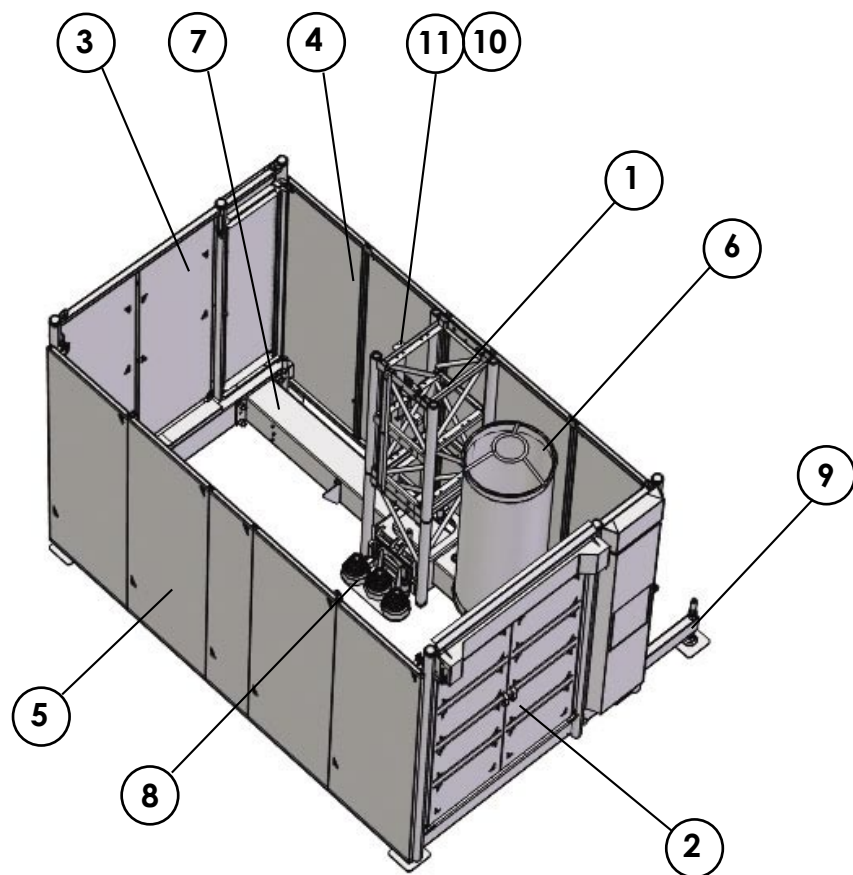
SPARE PARTS LIST

NO	DESCRIPTION	SCANCODE
9	Top cap complete	PG102636
10	Safety pipe	PG102828
11	Montage crane	PG102879
12	Lower station - DUET	PG106633
12.1	Front wall complete ver. with ZB88 -DUET	PG106875
12.2	Front wall complete 2 ver. with ZB88 DUET	PG106836
12.3	Back wall - DUET	PG106848
12.4	Cage left - DUET	
12.5	Mast section complete - DUET	PG103404
12.6	Cable guide - DUET	PG107506
12.7	Cable holder complete -DUET	PG107440
13	Cable trolley system - option for cable Ø28	
13.1	Cable holder complete for cable Ø28	PG108829
13.2	Cable holder complete - mast	PG108346
13.3	Cable guide	PG106868
13.4	Cable trolley for cable Ø28	PG111118
13.41	Frame trolley complete	PG111057
13.42	Cable wheel complete - for cable Ø28	PG109339
14	Cable trolley system - DUET option for cable Ø42	
14.1	Cable holder I complete for cable Ø42	PG108214
14.2	Cable holder II complete for cable Ø42	PG108201
14.3	Cable wheel complete for cable Ø42	PG106749

1

LOWER STATION ver. standard

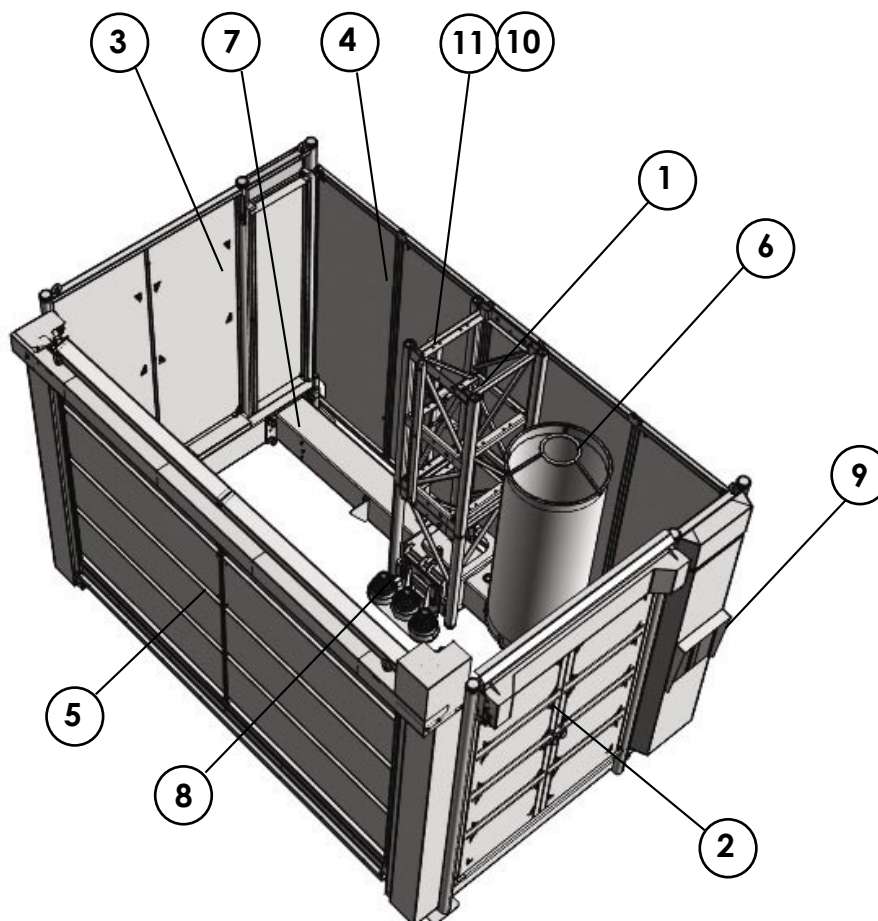
PG118055



NO	QTY	DESCRIPTION	SCANCODE
1	1	Section complete	PG102511
2	1	Front wall complete with ZB88	PG104808
3	1	Back wall complete	PG104873
4	1	Side wall assembly II	PG107976
5	1	Side wall assembly I	PG118056
6	1	Cable drum complete	PG103689
7	1	Mast base	PG106492
8	1	Buffer assembly	PG102652
9	2	Telescopic beam	PG103632
10	1	Safety pipe complete	PG102828
11	1	Safety pipe holder	PG104903

1a

LOWER STATION ver. with side door PG107974

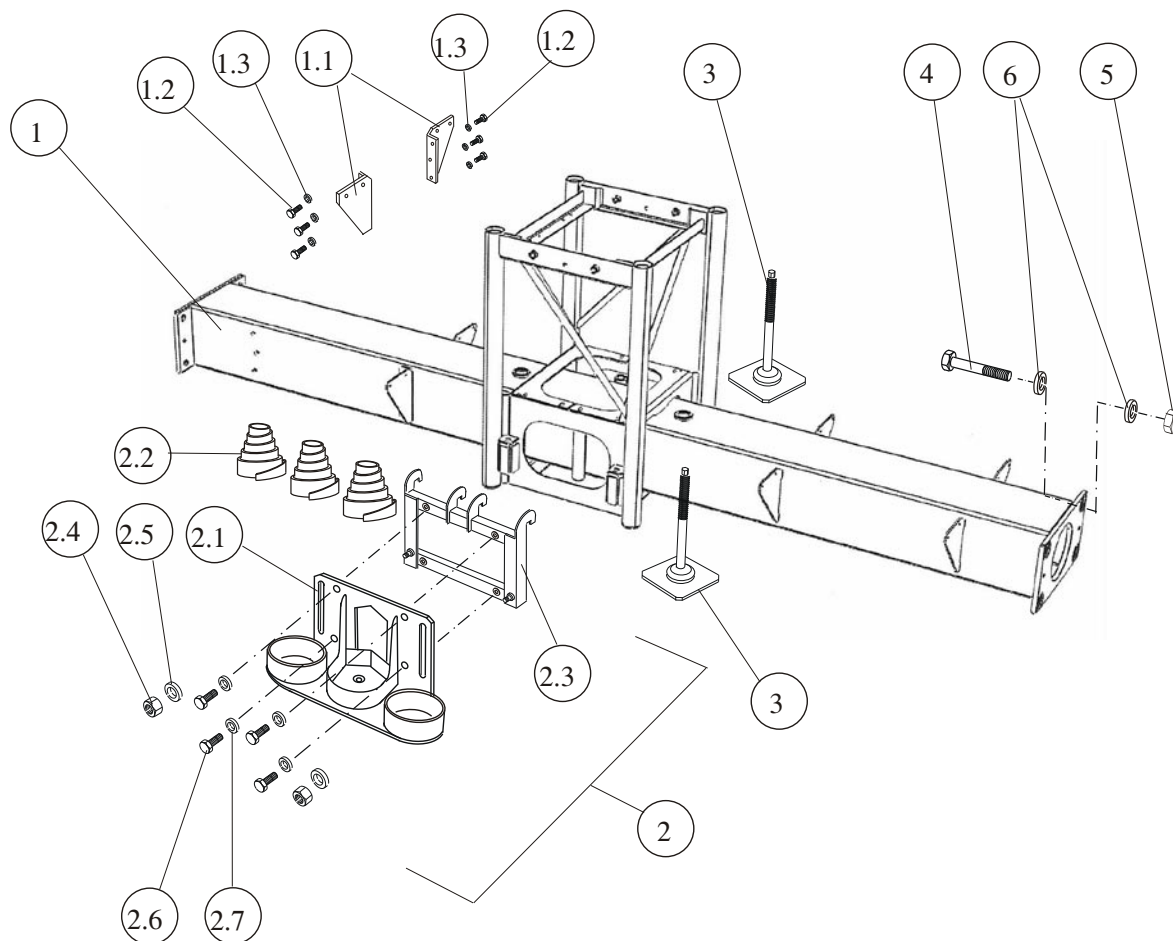


NO	QTY	DESCRIPTION	SCANCODE
1	1	Section complete	PG102511
2	1	Front wall complete	PG104808
3	1	Back wall complete	PG104873
4	1	Side wall assembly II	PG107976
5	1	Side door L=3,5m	PG106776
6	1	Cable drum complete	PG103689
7	1	Mast base	PG106492
8	1	Buffer assembly	PG102652
9	2	Telescopic beam	PG103632
10	1	Safety pipe complete	PG102828
11	1	Safety pipe holder	PG104903

1.1

MAST BASE BUFFER ASSEMBLY

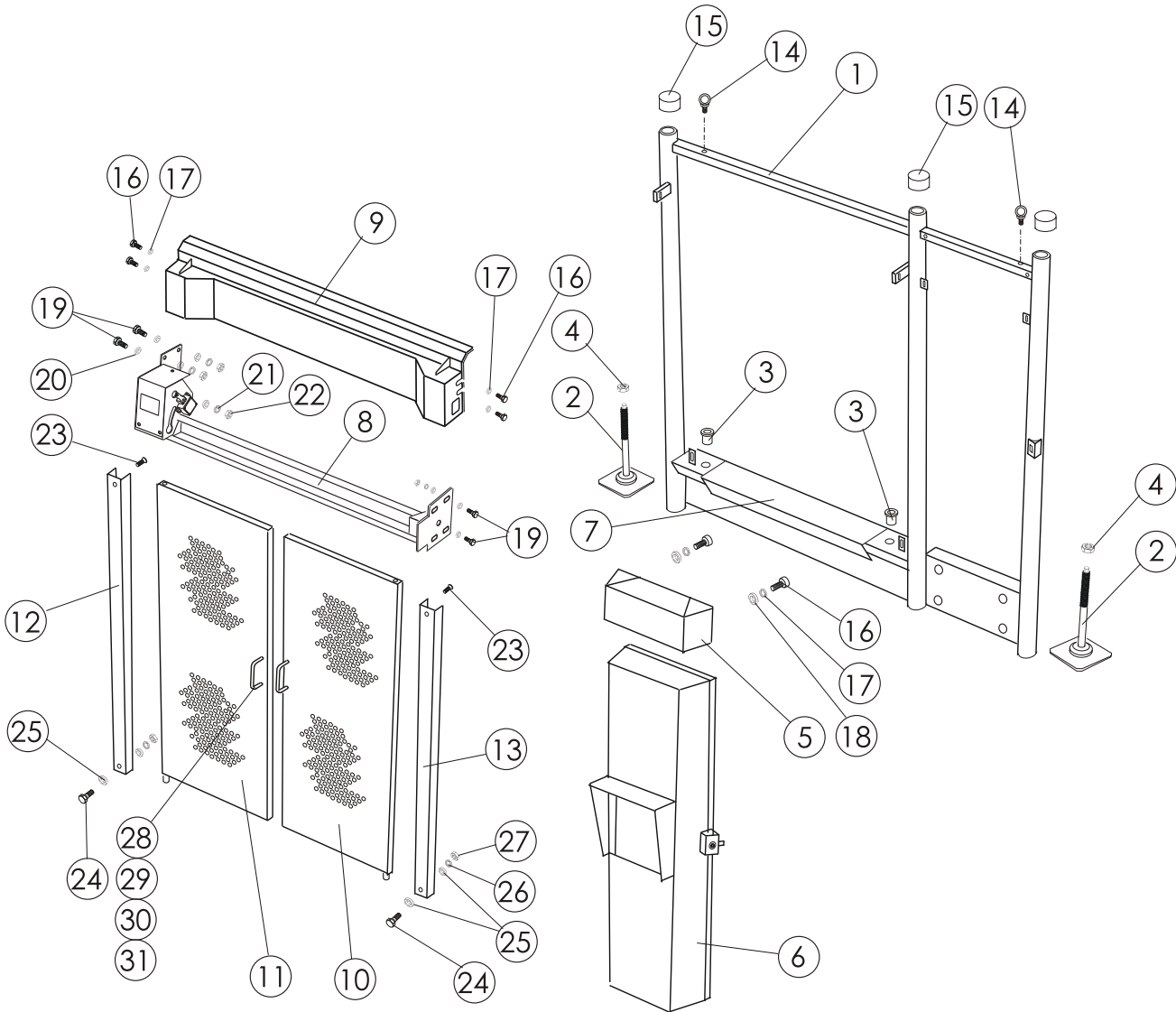
PG106492
PG102652



NO	QTY	DESCRIPTION	SCANCODE
1	1	Mast base	PG106492
1.1	2	Plate II	PG105253
1.2	6	Screw M10x20-8.8	89016801
1.3	6	Spring washer Z10,2	89107120
2	1	Buffer assembly	PG102652
2.1	1	Buffer base	PG102607
2.2	3	Buffer spring 210/230/46	PG103033
2.3	1	Frame	PG102647
2.4	2	Nut M20-8 A4J	89201605
2.5	2	Washer 21	89104201
2.6	4	Screw M16x65-8.8 A4J	89030901
2.7	4	Spring washer 17	89103601
3	2	Ground plate complete	PG102020
4	8	Screw M30x180-8.8 A4J	89038818
5	8	Nut M30-8 A4J	89211810
6	16	Washer 31 HV	89105102

1.2

FRONT WALL COMPLETE ver. with lock ZB88 PG104808



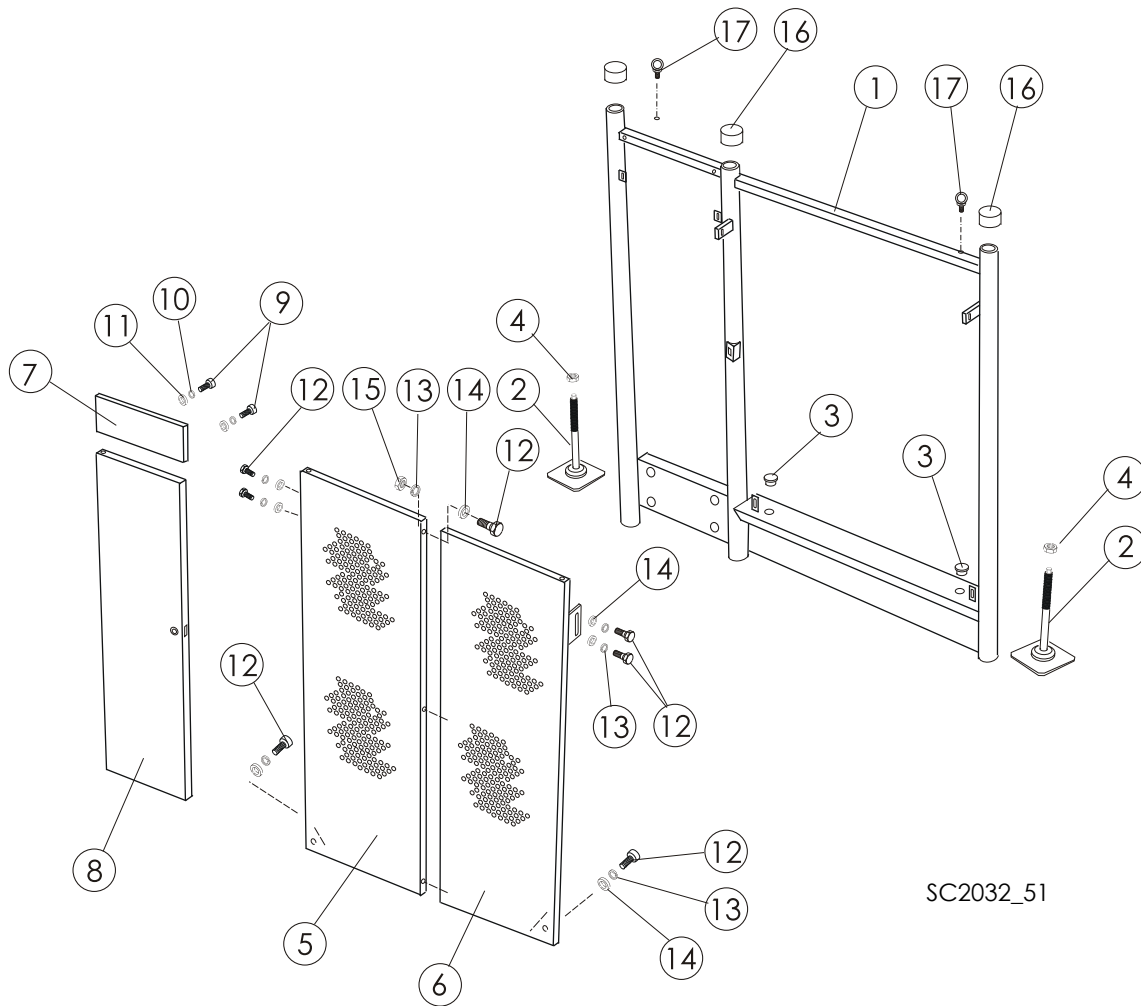
SC2032_50

1.2

NO	QTY	DESCRIPTION	SCANCODE
1	1	Front wall frame	PG102654
2	2	Ground plate complete	PG102020
3	2	Sleeve	PG102758
4	2	Nut Tr36	PG103626
5	1	Door cover	PG102736
6	1	EL-door complete	PG102951
7	1	Cover	PG107572
8	1	Lock ZB-88	PG104120
9	1	Lock cover	PG104129
10	1	Doorhalf-right	PG108328
11	1	Doorhalf-left	PG109870
12	1	Cover left	PG104850
13	1	Cover right	PG104851
14	2	Eye bolt M16	89000201
15	3	Stopper DN65	63600620
16	7	Screw M6x16 8.8	89005701
17	14	Spring washer Z 6,1	89106920
18	2	Washer 6,4	89101301
19	6	Screw M10x35 8.8	89017601
20	12	Washer 10,5	89102301
21	6	Spring washer Z10,2	89107120
22	6	Nut M10,2	89204901
23	2	Screw M8x16 5.8	89064401
24	2	Screw M8x20 8.8	89010201
25	8	Washer 8,4	89101700
26	6	Spring washer Z8,2	89107020
27	2	Nut M8-8	89203900
28	2	Hand grip GN 565-26-128-SW	51145100
29	4	Screw M8x16 8.8 A4J	89009601
30	4	Washer 8,5	89101900
31	4	Spring washer Z 8,2	89107020

1.3

BACK WALL COMPLETE ver. with lock ZB88 PG104873

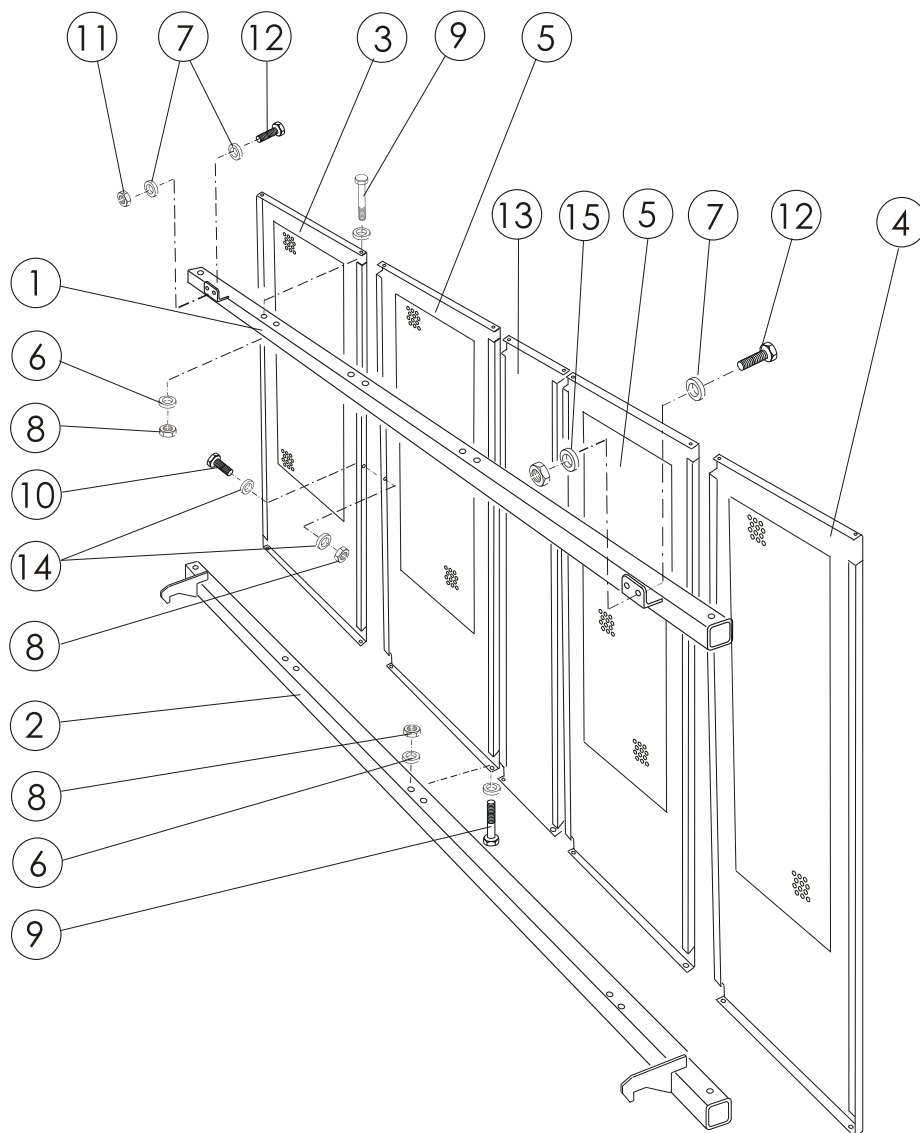


SC2032_51

NO	QTY	DESCRIPTION	SCANCODE
1	1	Back wall frame	PG104872
2	2	Ground plate complete	PG102020
3	2	Stopper A=20,5	63600675
4	2	Nut Tr36	PG103626
5	1	Back panel left	PG104882
6	1	Back panel right	PG104884
7	1	Cover complete	PG104891
8	1	Service -door	PG102963
9	2	Screw M6x18 8.8 A4J	89006001
10	2	Spring washer Z 6,1	89106920
11	2	Washer 6,4	89101301
12	9	Screw M8x20 8.8 A4J	89010201
13	9	Spring washer Z8,2	89107020
14	9	Washer 8,4	89101700
15	9	Nut M8-8 A4J	89203900
16	2	Pipe stopper DN65	63600620
17	2	Eye bolt M16	89000201

1.4

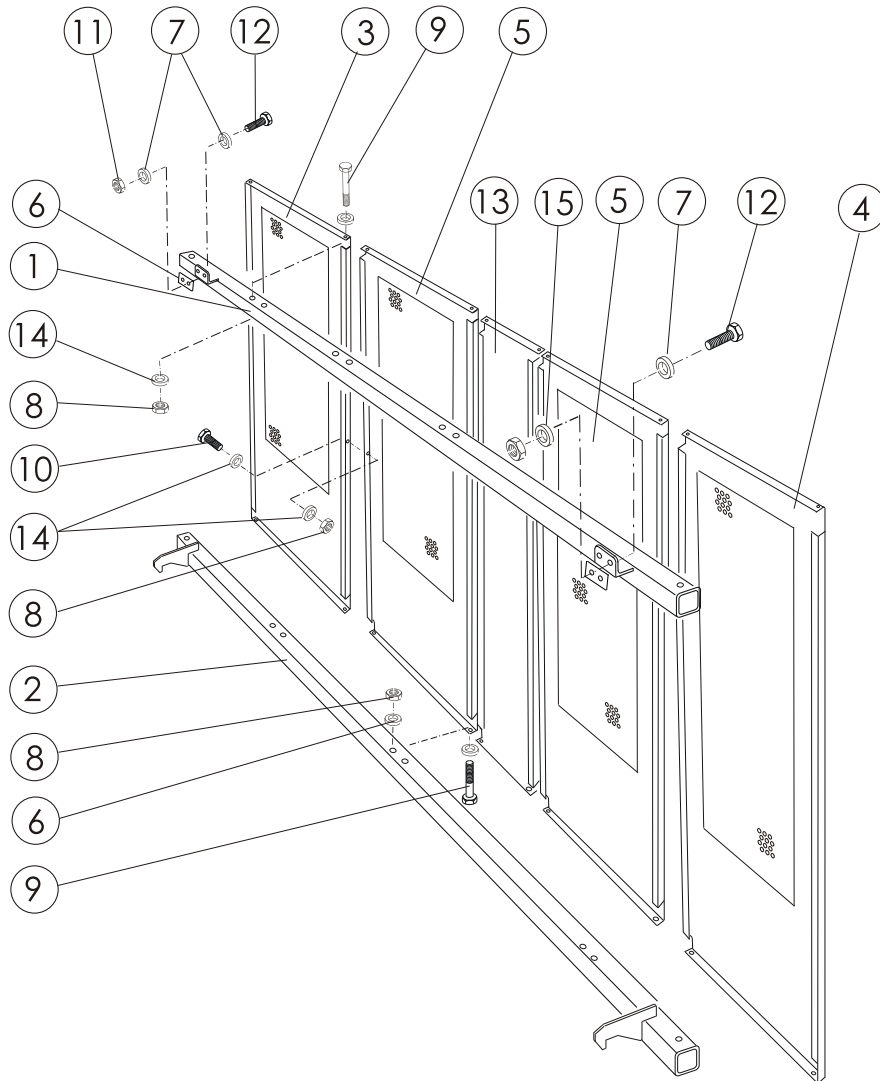
SIDE WALL ASSEMBLY II PG107976



NO	QTY	DESCRIPTION	SCANCODE
1	1	Top pipe	PG107979
2	1	Bottom pipe	PG107977
3	1	Wall panel right	PG103889
4	1	Wall panel left	PG103890
5	2	Wall panel middle	PG102023
6	40	Washer 6,4	89101301
7	5	Washer 10,2	89102301
8	24	Nut M6-8 A4J	89200501
9	20	Screw M6x55-8.8 A4J	89005701
10	4	Screw M6x16-8.8 A4J	89005501
11	5	Nut M10-8 A4J	89204901
12	5	Screw M10x25 A4J	89017001
13	1	Narrow wall panel	PG107995
14	8	Washer 6,4	89101401
15	5	Spring washer Z10,2	89107120

1.5

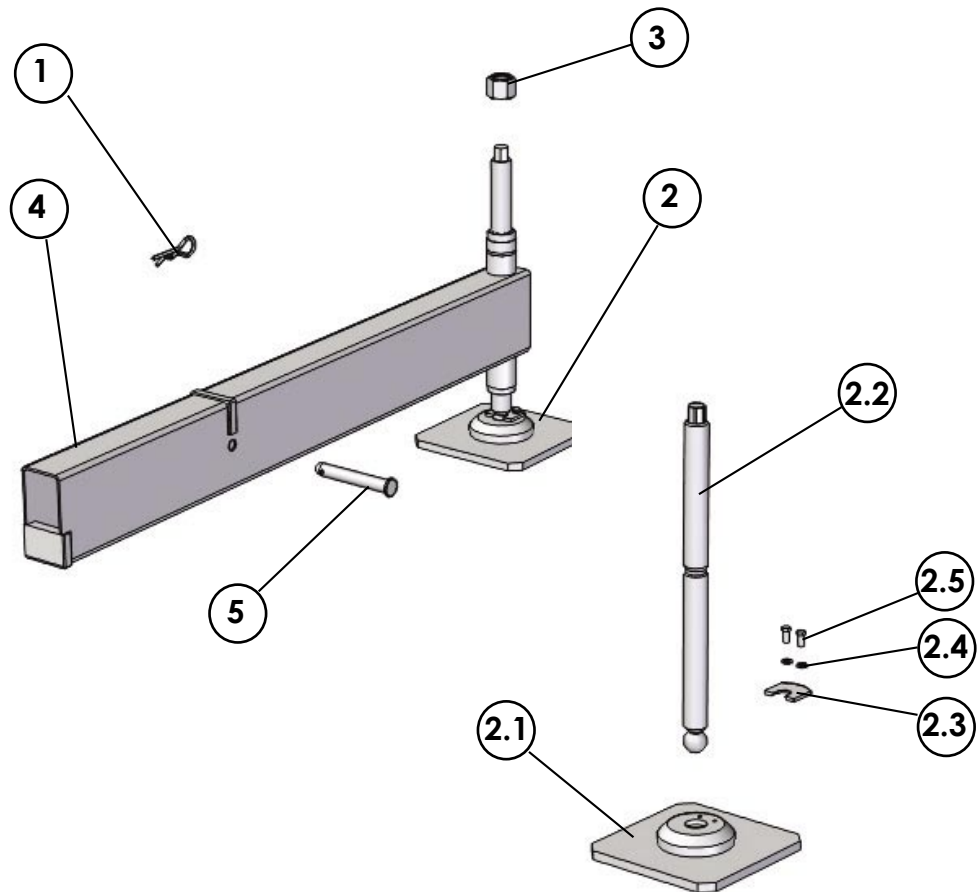
SIDE WALL ASSEMBLY I PG118056



NO	QTY	DESCRIPTION	SCANCODE
1	1	Top pipe	PG107979
2	1	Bottom pipe	PG107977
3	1	Wall panel right	PG102021
4	1	Wall panel left	PG102022
5	2	Wall panel middle	PG102023
6	2	Plate	PG106821
7	6	Washer 10,2	10006186
8	24	Nut M6-8 A4J	10006278
9	20	Screw M6x55-8.8 A4J	10005525
10	4	Screw M6x16-8.8 A4J	10005502
11	6	Nut M10-8 A4J	10006328
12	5	Screw M10x35 A4J	10005665
13	1	Narrow wall panel	PG107995
14	48	Washer 6-200HV	10006177
15	6	Spring washer Z10,2	10006239

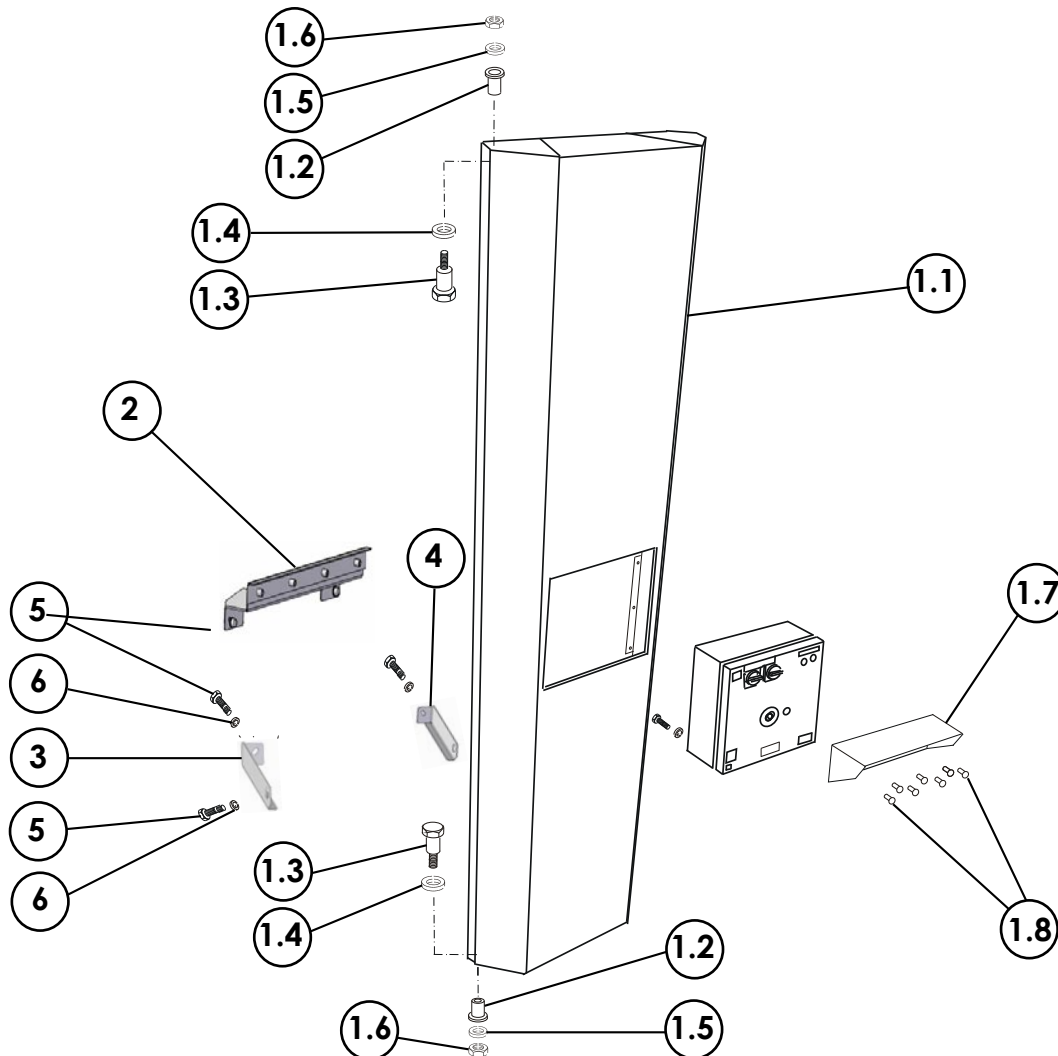
1.6

TELESCOPIC BEAM PG103632

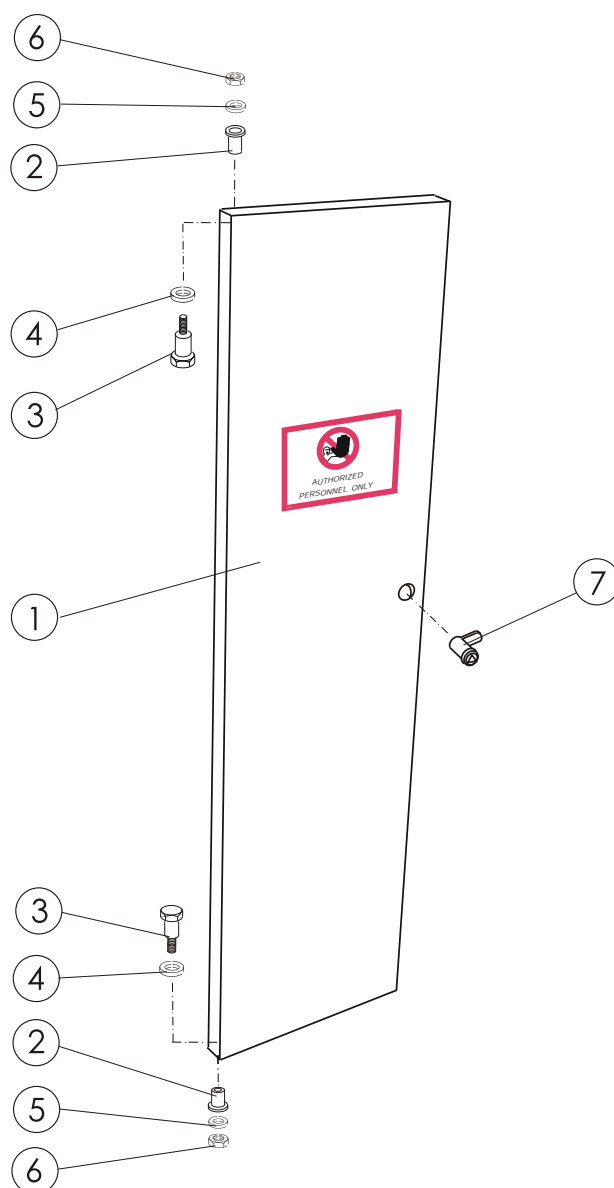


NO	QTY	DESCRIPTION	SCANCODE
1	1	Locking splint	PG100168
2	1	Ground plate complete	PG102020
2.1	1	Ground plate	PG102018
2.2	1	Screw TR 36x350	PG102012
2.3	1	U-plate	PG102011
2.4	2	Screw M8x20-8.8 A4J	89009902
2.5	2	Spring washer Z 8,2	89107020
3	1	Nut Tr36	PG103626
4	1	Beam	PG103631
5	1	Pin	PG103633

1.7 EL-DOOR COMPLETE



NO	QTY	DESCRIPTION	SCANCODE
1.1	1	Panel	PG115445
1.2	2	Sleeve	PG102504
1.3	2	Special screw	PG102950
1.4	2	Washer 13 HV	10006199
1.5	15	Washer 8,4 Fe/Zn12bcA	10006178
1.6	6	Nut M8 8B A4J	10006281
1.7	1	Cover	PG115428
1.8	7	Rivet 5x8 AL/FE P	10006503
2	1	Console	PG115429
3	1	Console	PG115446
4	1	Console	PG115447
5	10	Screw M8x20 8.8 A4J	10005554
6	6	Spring washer 8,4 Fe/Zn12bcA	10006238



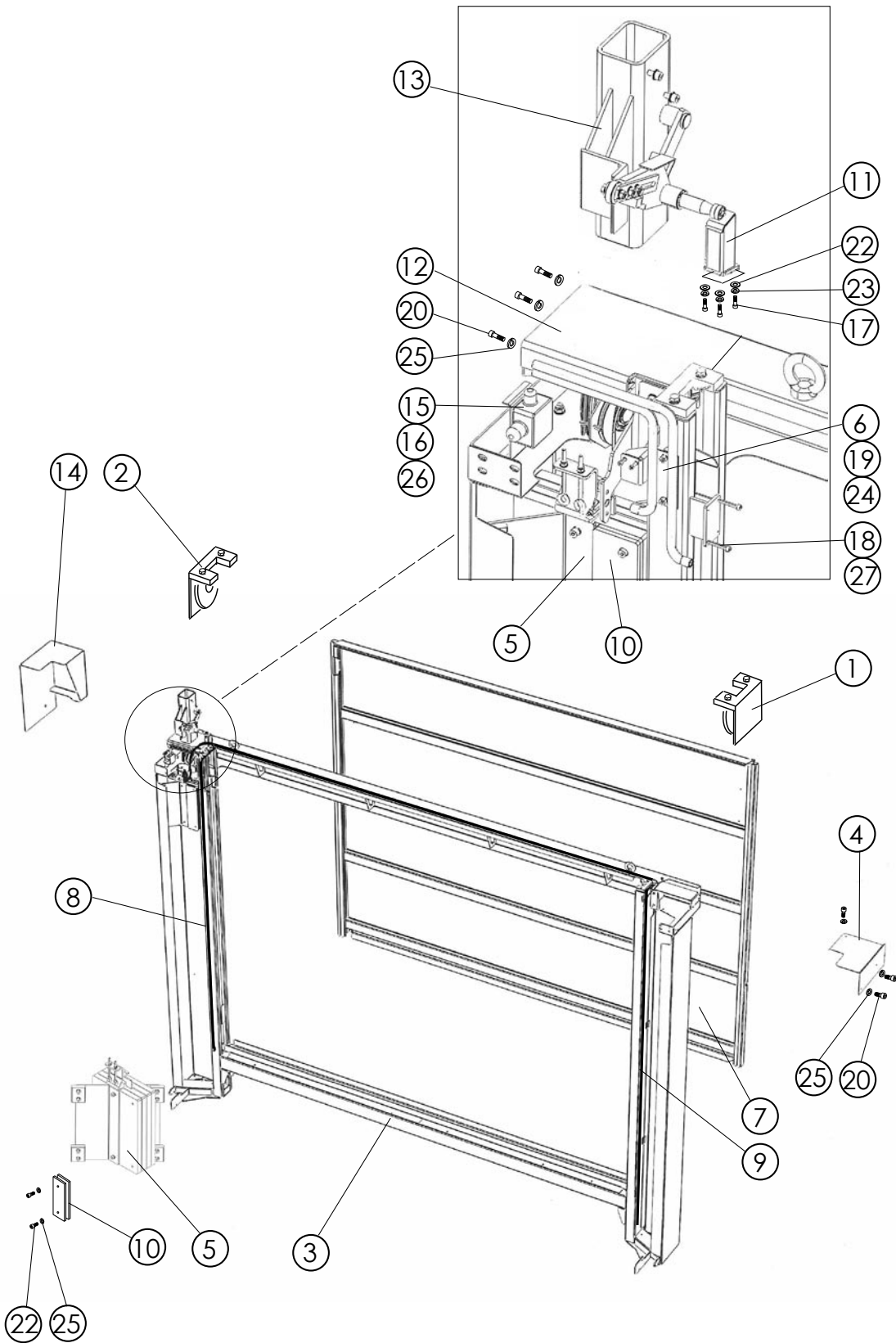
SC2032_37

NO	QTY	DESCRIPTION	SCANCODE
1	1	Door	PG102961
2	2	Sleeve	PG102504
3	2	Special screw	PG102950
4	2	Washer 13	89102801
5	2	Washer 8,4	89101700
6	2	Nut M8-8 A4J	89200801
7	1	Lock	PG101321

1.9

SIDE DOOR

PG106776

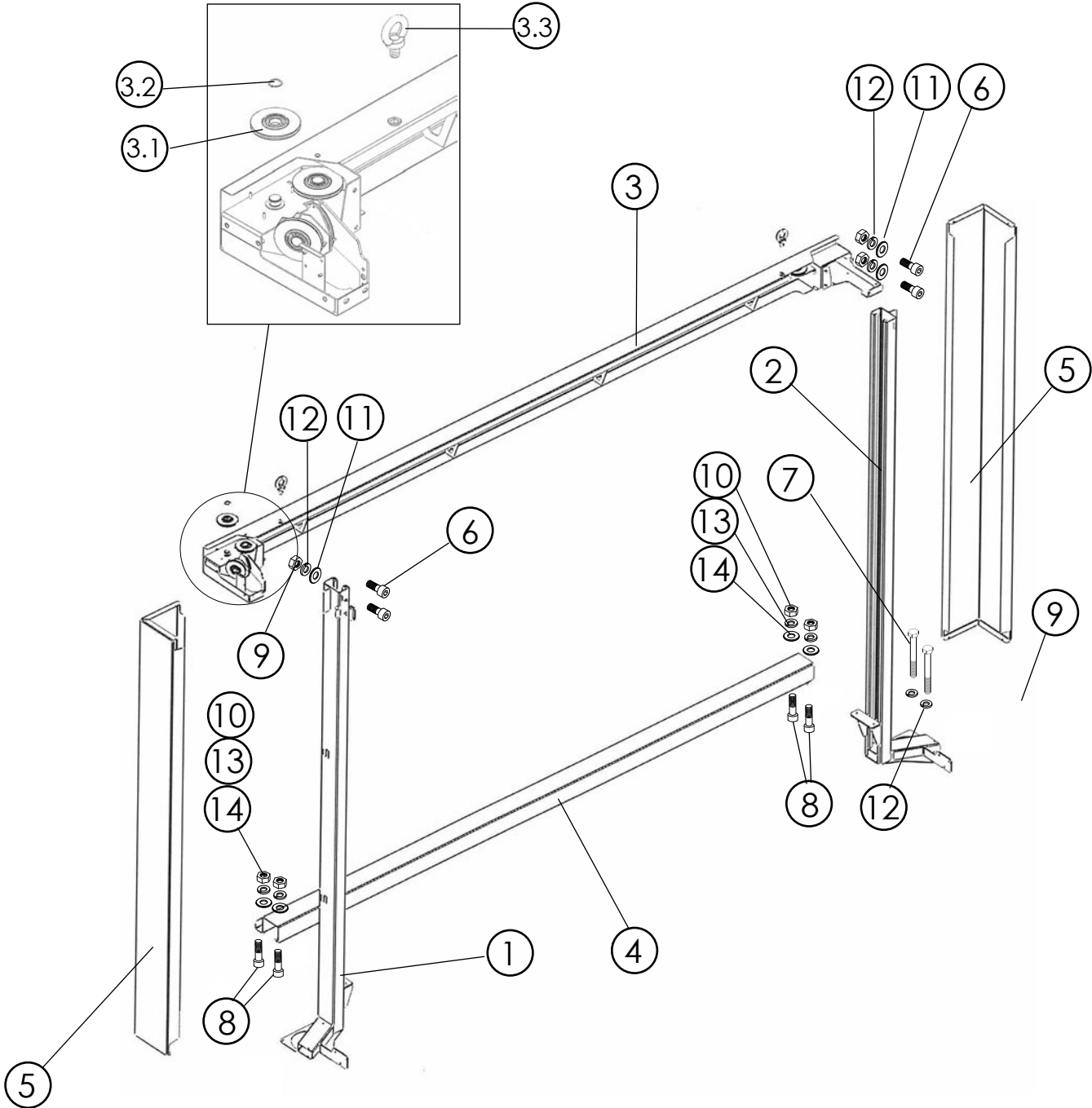


1.9

NO	QTY	DESCRIPTION	SCANCODE
1	1	Top console assembly right	PG101333
2	1	Top console assembly left	PG101335
3	1	Side door frame	PG106746
4	1	Top cover II	PG106753
5	1	Door counter weight	PG106762
6	1	Cable holder	PG106767
7	1	Side door complete	PG106790
8	1	Wire assembly I	PG107669
9	1	Wire assembly II	PG107672
10	2	Plate	PG108097
11	1	Post 1	PG108620
12	1	Console	PG108630
13	1	Locking door ZB-88 ver.D	PG108699
14	1	Top cover	PG108718
15	1	Conecting box	PG108480
16	2	Screw M4x12 8.8 A4J	89000620
17	3	Screw M5x16 8.8 A4J	89002301
18	2	Screw M5x40 8.8 A4J	89003801
19	2	Screw M6x16 8.8 A4J	89005701
20	8	Screw M8x20 8.8 A4J	89010201
21	2	Screw M8x25 8.8 A4J	89011401
22	3	Washer 5,5	89101100
23	3	Spring washer Z 5,1	89105801
24	2	Spring washer Z 6,1	89106920
25	10	Spring washer Z 8,2	89107020
26	2	Tooth spring washer 4,3	89105705
27	2	Tooth spring washer 5,3	89106901
28	2	Screw GN708-M8-68	89014660

1.91

SIDE DOOR FRAME PG106746



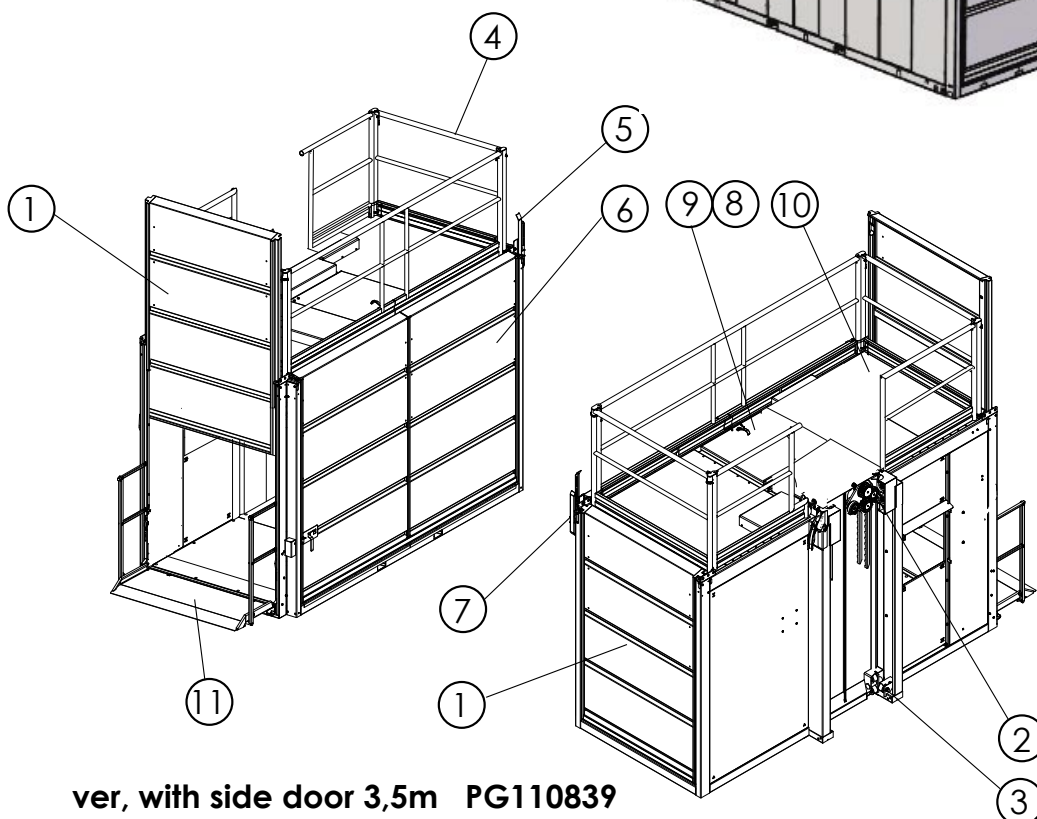
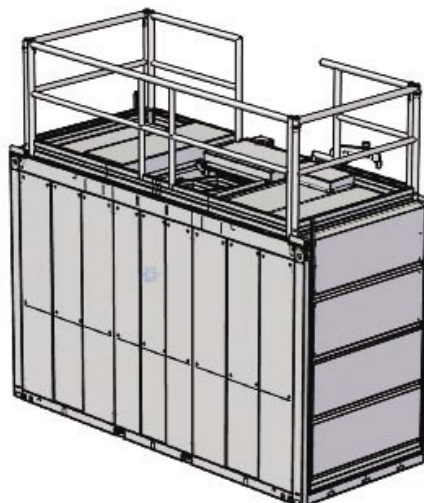
1.91

NO	QTY	DESCRIPTION	SCANCODE
1	1	Door guide 1	PG106664
2	1	Door guide 2	PG106665
3	1	Top beam compl.	PG106730
3.1	5	Wire wheel assembly	PG101176
3.2	5	Lock ring Z25	51414000
3.3	2	Eye bolt M16	89000201
4	1	Beam	PG106736
5	2	Cover	PG106737
6	14	Screw M8x20-8.8 A4J	89010101
7	2	Screw M8x70-8.8 A4J	89014702
8	4	Screw M12x40-8.8 A4J	89023600
9	14	Nut M8-8 B A4J	89200801
10	4	Nut M12-8 B A4J	89201400
11	14	Washer 8,4	89101700
12	16	Spring washer Z 8,2	89107020
13	4	Spring washer Z 12,2	89107208
14	4	Washer 13 HV	89102810

2

CAGE COMPLETE

ver, standard PG118119



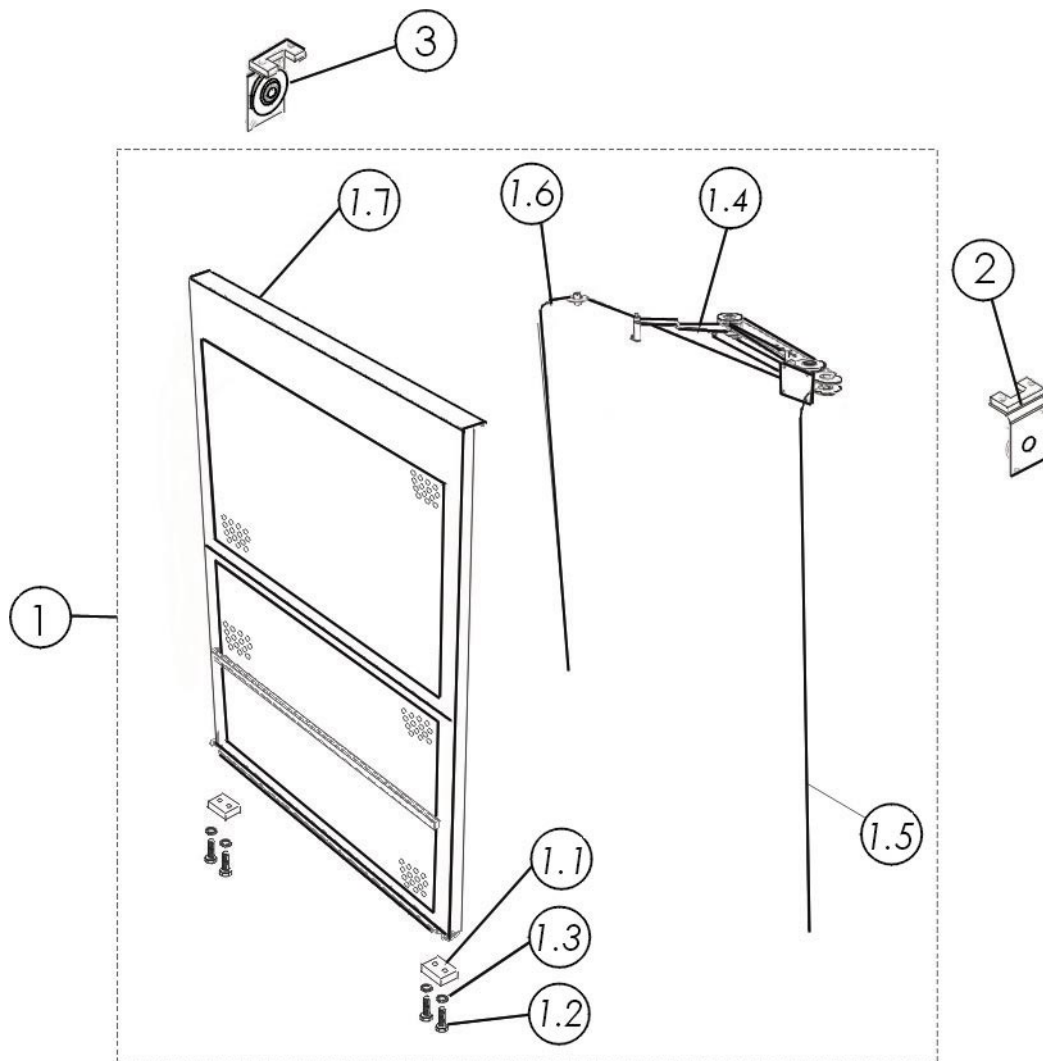
ver, with side door 3,5m PG110839

NO	QTY	DESCRIPTION	SCANCODE
1	2	Cage front door	PG105762
2	1	Safety brake assembly	PG101746
3	1	Guiding wheels and covers	PG101420
4	1	Railings	PG106944
5	1	Side door cam	PG108076
6	1	Cage side door	PG108085
7	1	Cage cams	
8	1	Ladders	PG102577
9	1	Roof hatch	PG101799
	1	Roof cover	PG101790
10	1	El-box frames	
11	1	Hydraulic ramp (option)	PG115063

2.1

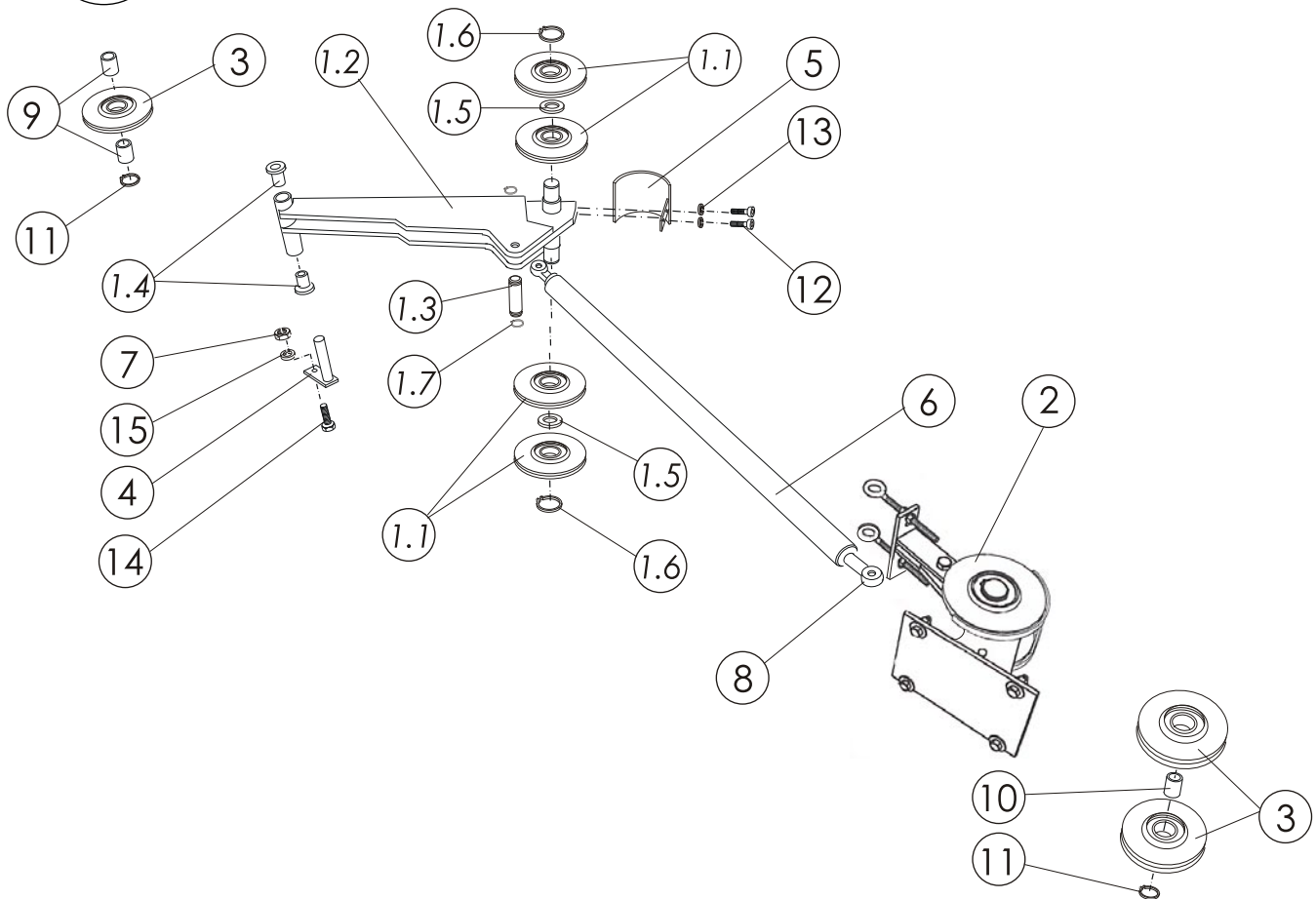
CAGE DOOR ASSEMBLY

PG105762



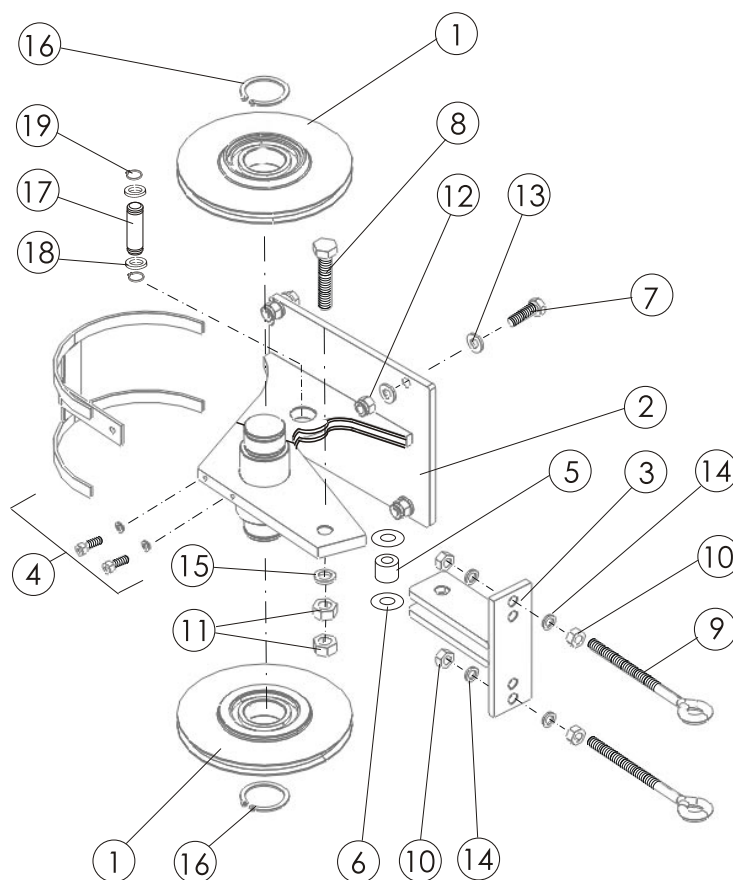
NO	QTY	DESCRIPTION	SCANCODE
1	1	Door assembly	PG105762
1.1	2	Nyken glide	PG101339
1.2	4	Screw M8x30-8.8	89011902
1.3	4	Spring washer Z 8,2	89107020
1.4	1	Lifting elements	see 2.1.1
1.5	1	Wire assembly upper right L=6100 mm	PG102578
1.6	1	Wire assembly upper left L=7800 mm	PG102584
1.7	1	Door AL	PG106939
2	1	Top console assembly right	PG101333
3	1	Top console assembly left	PG101335

2.1.1 LIFTING ELEMENTS



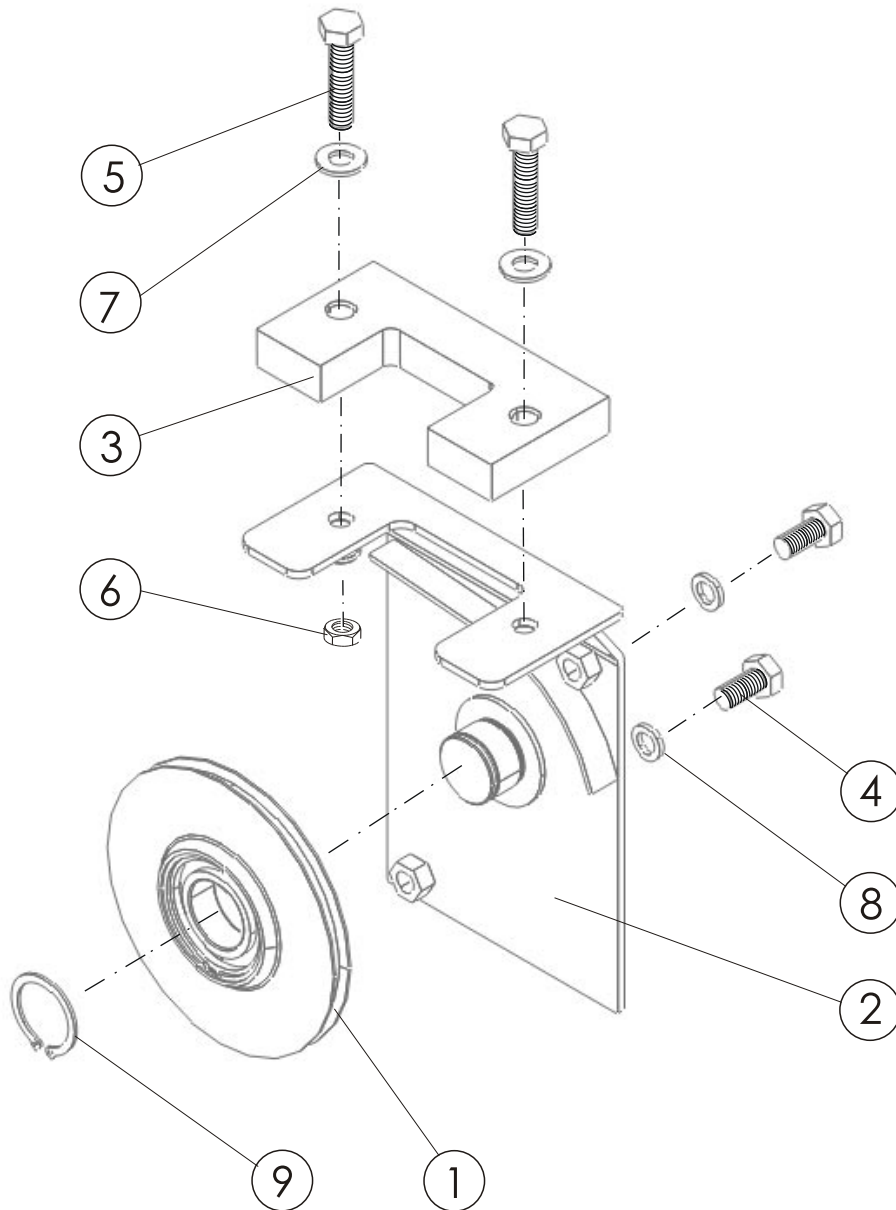
NO	QTY	DESCRIPTION	SCANCODE
1	1	Lever complete	PG105007
1.1	4	Wire wheel assembly	PG101176
1.2	1	Lever	PG105008
1.3	1	Pin	PG105006
1.4	2	Sleeve	PG102504
1.5	2	Washer	PG102505
1.6	2	Spring retaining ring Z25	51414000
1.7	2	Spring retaining ring Z10	51404100
2	1	Middle wheels assembly	PG105004
3	1	Lever	PG105010
4	1	Pin with ear	PG101211
5	1	Cover	PG102508
6	1	Gas spring DOMO-05 495	50200408
7	1	Self locking nut M5-5	89200201
8	2	Joint PGIKR10	51142020
9	2	Sleeve L=18	PG102509
10	1	Sleeve L=24	PG102510
11	2	Spring retaining ring Z10	51404100
12	2	Screw M4x12-8.8 A4J	89000620
13	2	Spring washer Z 4,1	89105701
14	1	Screw M5x16-5.6 A4J	89002201
15	1	Washer 5,3	89100901

2.1.1.1 MIDDLE WHEELS ASSEMBLY PG105004



SC2032_19A

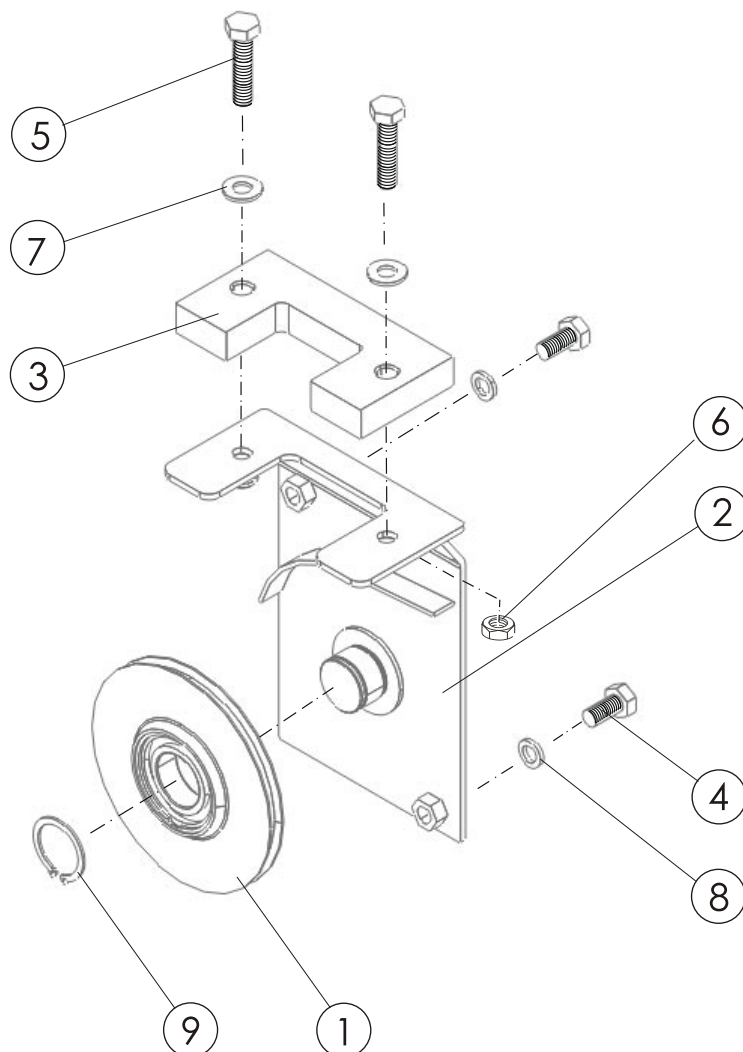
NO	QTY	DESCRIPTION	SCANCODE
1	2	Wire wheel assembly	PG101176
2	1	Middle console	PG104988
3	1	T-console	PG101226
4	1	Wire shield assembly	PG101230
5	1	Sleeve	PG102528
6	2	Washer	PG102529
7	4	Screw M6x20-8.8 A4J	89006201
8	1	Screw M8x40-8.8 A4J	89012201
9	2	Eye screw M6x80x10-8.8	89008525
10	4	Nut M6-8 A4J	89203400
11	2	Nut M8-8 A4J	89203900
12	4	Self-locking nut M6-8 B	89200501
13	8	Washer 6,4	89101301
14	4	Spring washer Z 6,1	89106920
15	1	Spring washer Z 8,2	89107020
16	2	Spring retaining ring Z 25	51414000
17	1	Pin	PG105006
18	2	Washer 10,5	89102301
19	2	Spring retaining ring Z10	51404100



NO	QTY	DESCRIPTION	SCANCODE
1	1	Wire wheel assembly	PG101176
2	1	Top console right	PG101185
9	1	Nylon glide	PG101191
4	2	Screw M8x16-8.8 A4J	89009402
5	2	Screw M8x35-8.8 A4J	89012002
6	1	Nut M8-8 A4J	89200801
7	2	Washer 8,4	89101700
8	2	Spring washer	89107020
9	1	Lock ring Z25	51414000

2.3

TOP CONSOLE ASSEMBLY LEFT PG101335



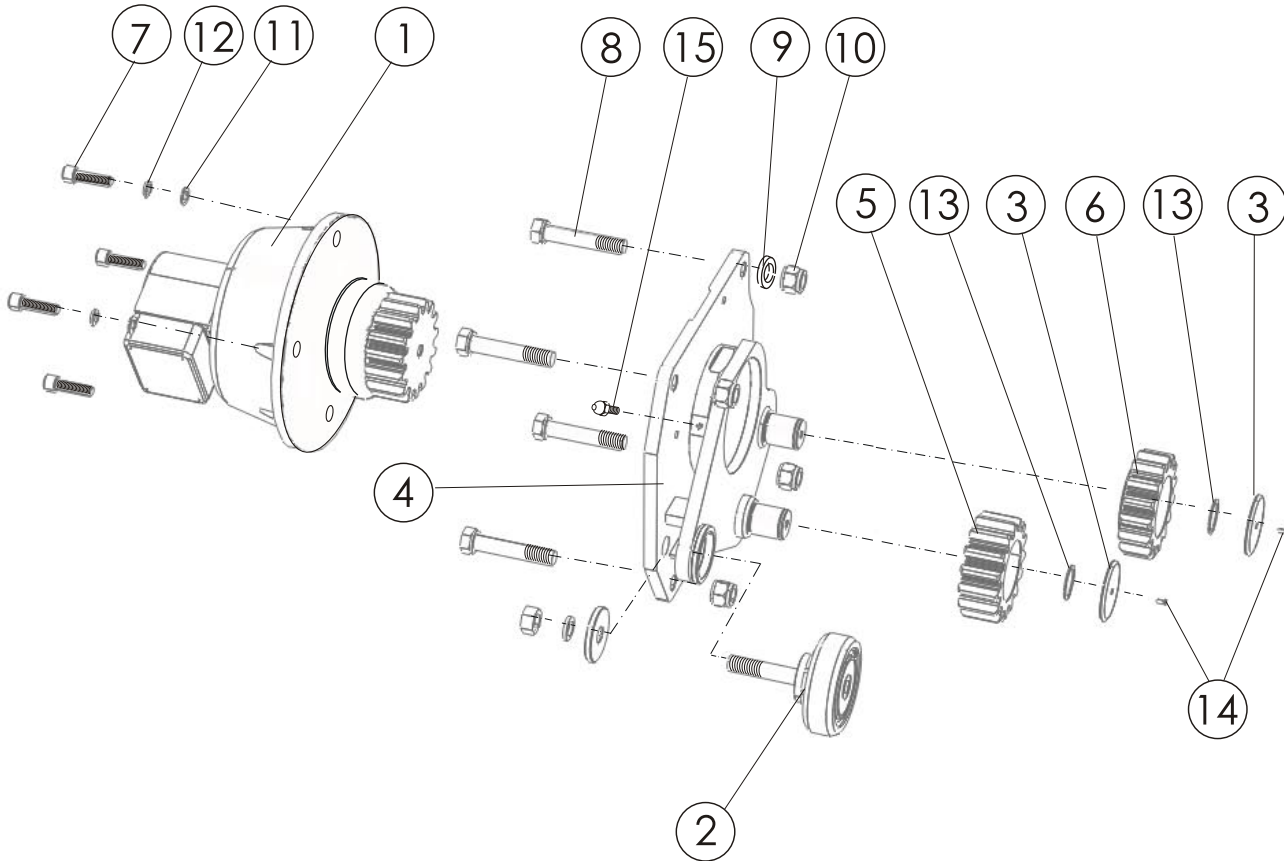
SC2032_17A

NO	QTY	DESCRIPTION	SCANCODE
1	1	Wire wheel assembly	PG101176
2	1	Top console left	PG101189
9	1	Nylon glide	PG101191
4	2	Screw M8x16-8.8 A4J	89009402
5	2	Screw M8x35-8.8 A4J	89012002
6	1	Nut M8-8 A4J	89200801
7	2	Washer 8,4	89101700
8	2	Spring washer	89107020
9	1	Lock ring Z25	51414000

2.4

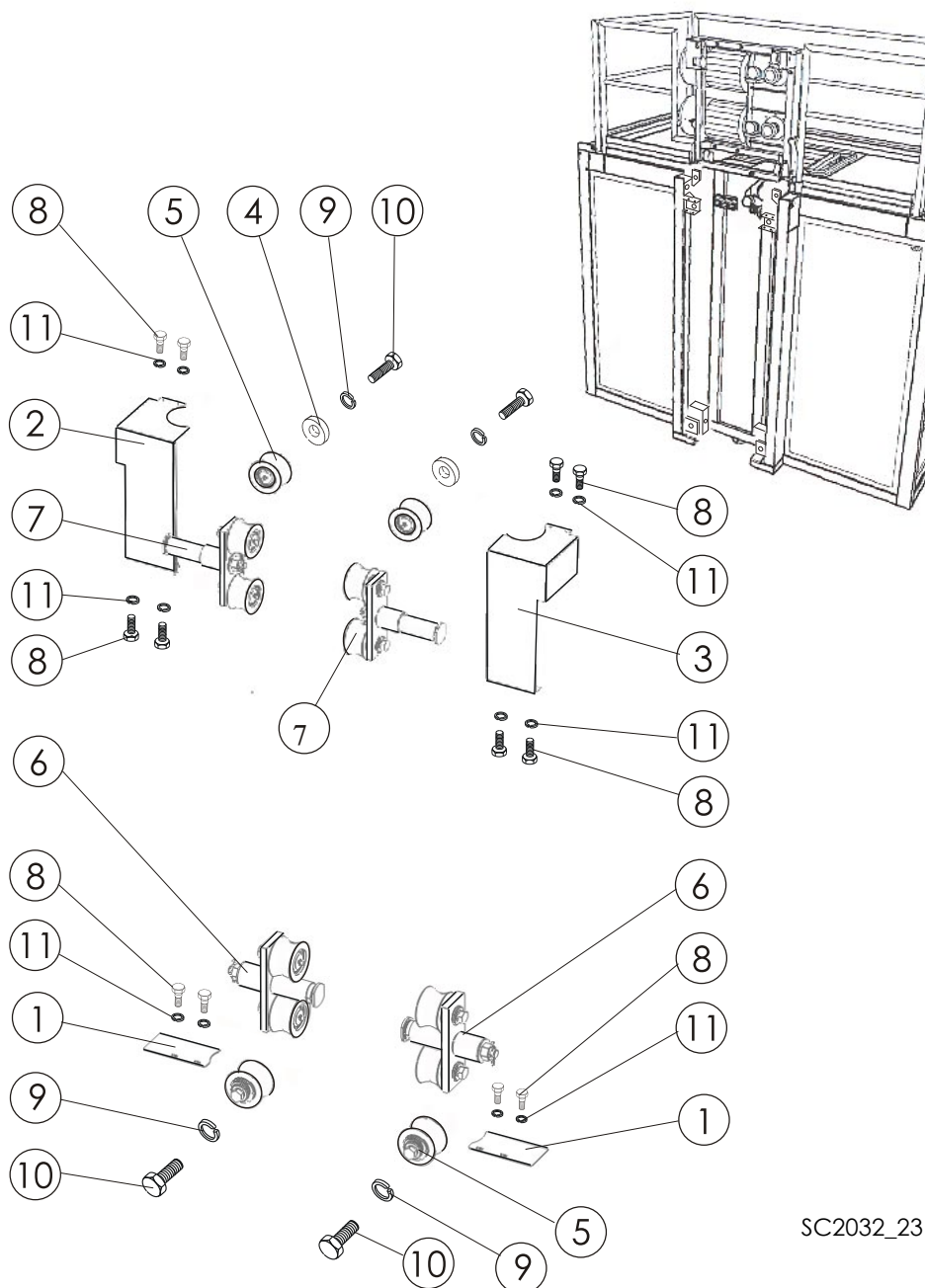
SAFETY BRAKE ASSEMBLY

PG101746



SC2032_22

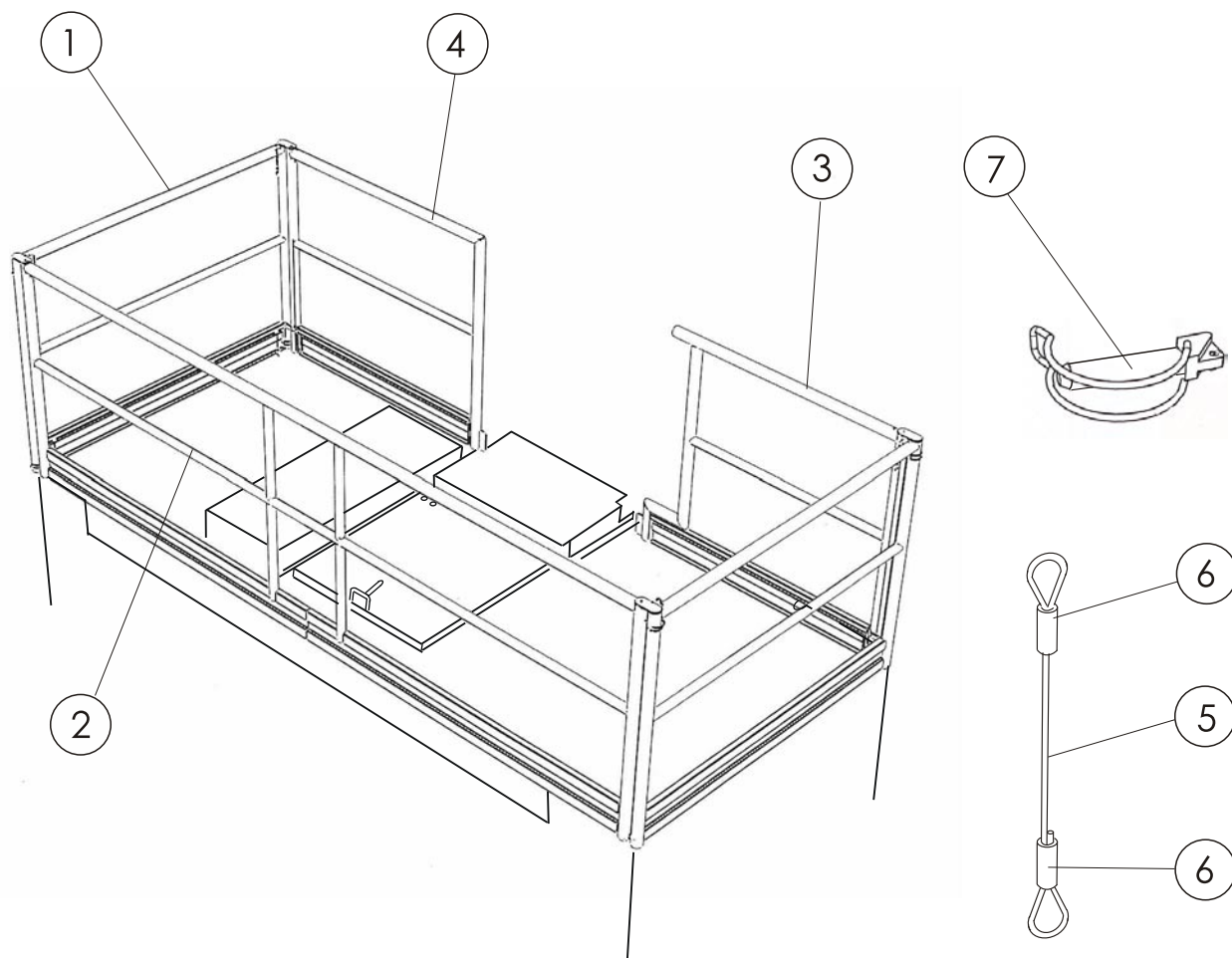
NO	QTY	DESCRIPTION	SCANCODE
1	1	Safety device UC 3.0	PG103846
2	1	Support wheel assembly	PG101729
3	2	Bearing shield	PG101740
4	1	Plate with bolts	PG101750
5	1	Gear complete	PG101753
6	1	Gear complete	PG101756
7	4	Screw M14x50-8.8 A4J	PG101786
8	4	Screw M20x110-8.8 A4J	89036101
9	8	Washer NL20 Nord Lock	89110200
10	4	Nut M20-8 A4J	89201605
11	4	Washer 15	89103201
12	4	Spring washer Z14,2	89107210
13	2	Spring retaining ring Z40	51423000
14	2	Screw M5x12-8.8 A4J	89001720
15	1	Lubricating nipple M6	51162005



SC2032_23

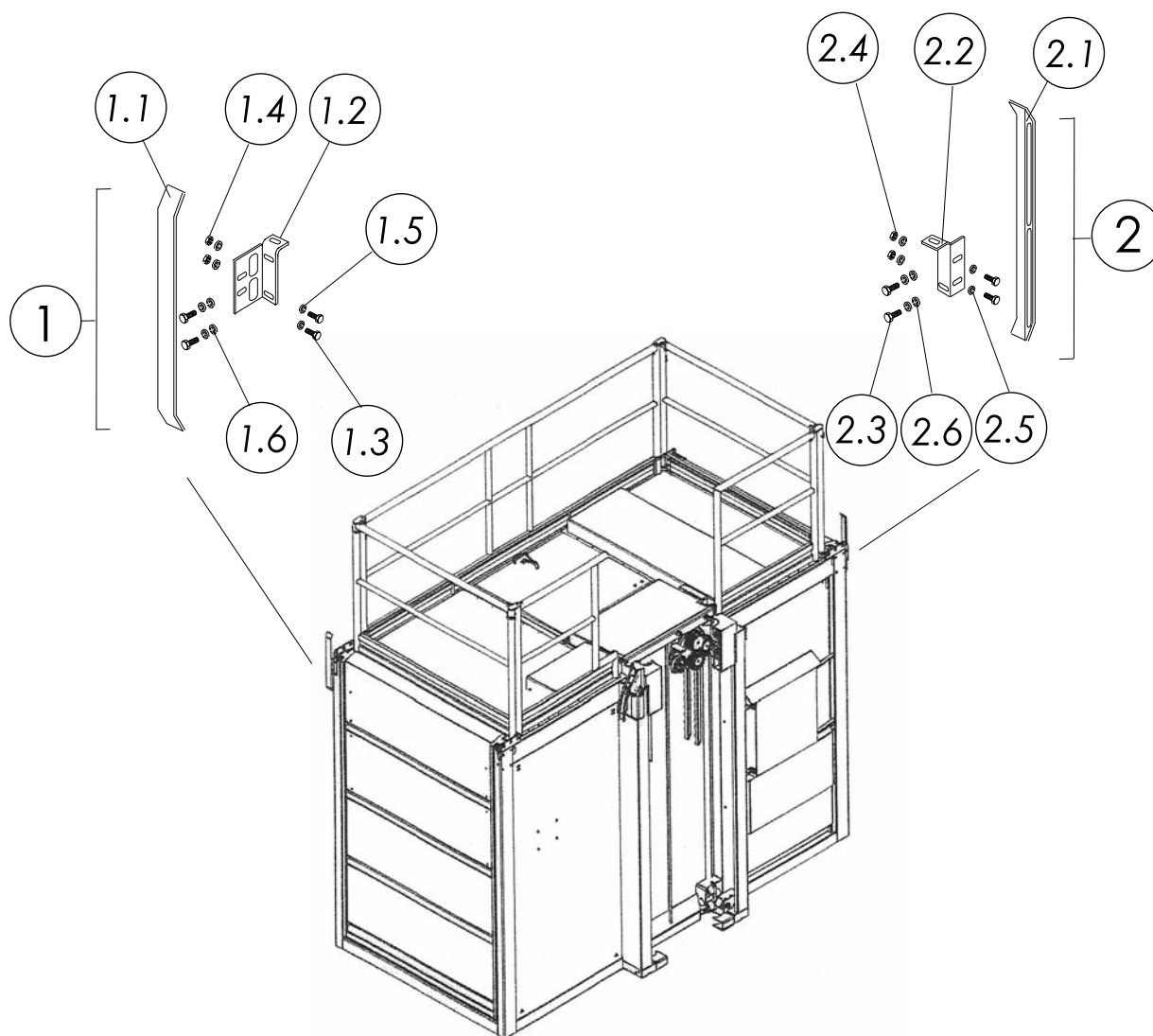
NO	QTY	DESCRIPTION	SCANCODE
1	2	Cover	PG101391
2	1	Top cover right	PG101588
3	1	Top cover left	PG101621
4	4	Washer	PG100823
5	4	Roller assembly	PG111135
6	2	Bogie assembly	PG115061
7	2	Bogie assembly	PG111142
8	12	Screw M6x12-8.8 A4J	89005110
9	4	Washer NL16	89110160
10	4	Screw M16x45-8.8 A4J	89029201
11	12	Spring washer Z6,1	89106920

2.6 RAILINGS PG106944



NO	QTY	DESCRIPTION	SCANCODE
1	2	Railing end complete	PG101675
2	1	Railing long complete	PG106945
3	1	Railing right complete	PG111246
4	1	Railing left complete	PG107355
5	1	Line	PG101676
6	2	Pipe PA2	PG100504
7	1	Bolt 10x50	89304920

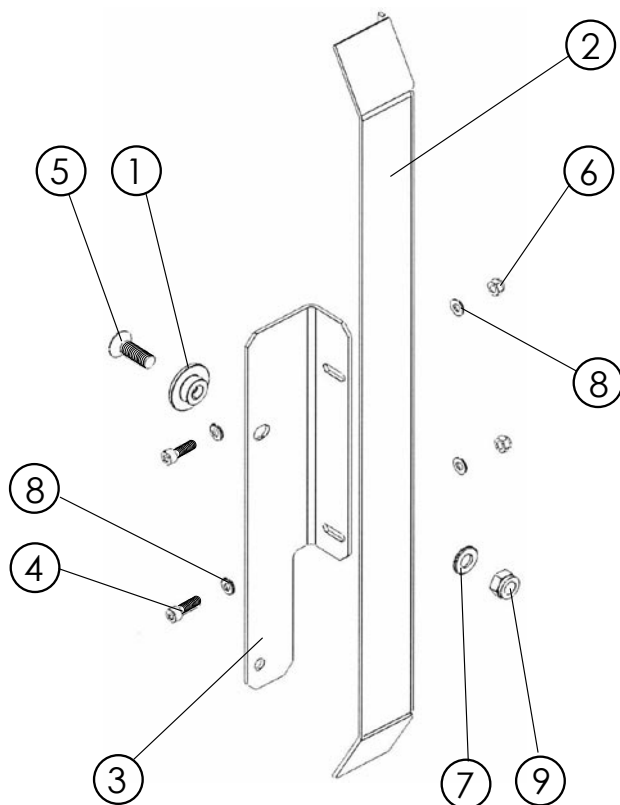
2.7 CAGE CAMS



NO	QTY	DESCRIPTION	SCANCODE
1	1	Cam complete	PG108076
1.1	1	Cam	PG103984
1.2	1	Plate	PG105763
1.3	4	Screw M6x18-8.8	89006001
1.4	2	Nut M6-8	89203400
1.5	6	Washer 6,4	89101301
1.6	4	Spring washer Z 6,1	89106920
2	1	Cam complete	PG105294
2.1	1	Cam	PG103984
2.2	1	Plate	PG104758
2.3	4	Screw M6x18-8.8	89006001
2.4	2	Nut M6-8	89203400
2.5	6	Washer 6,4	89101301
2.6	4	Spring washer Z 6,1	89106920

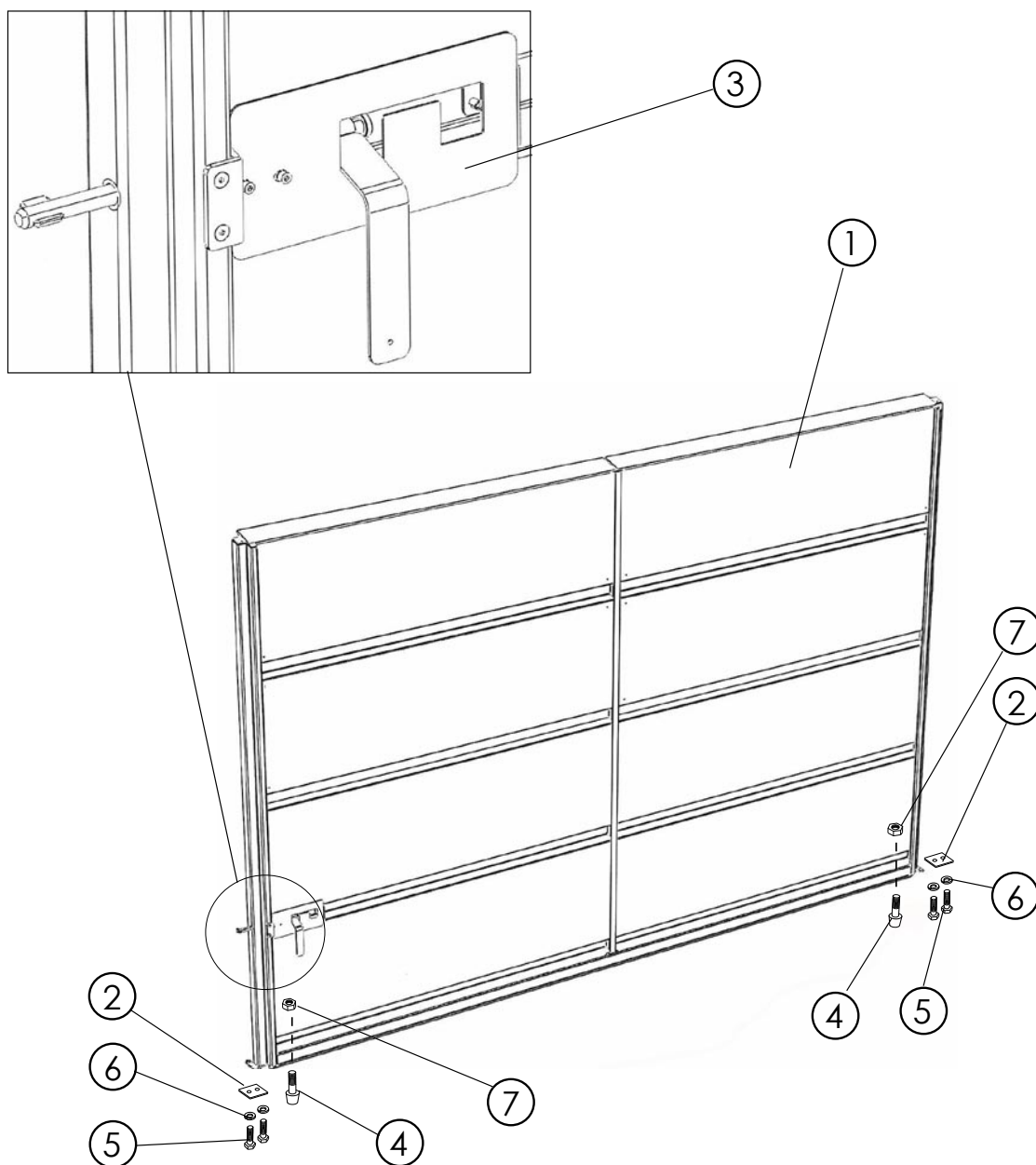
2.8

SIDE DOOR CAM PG107814



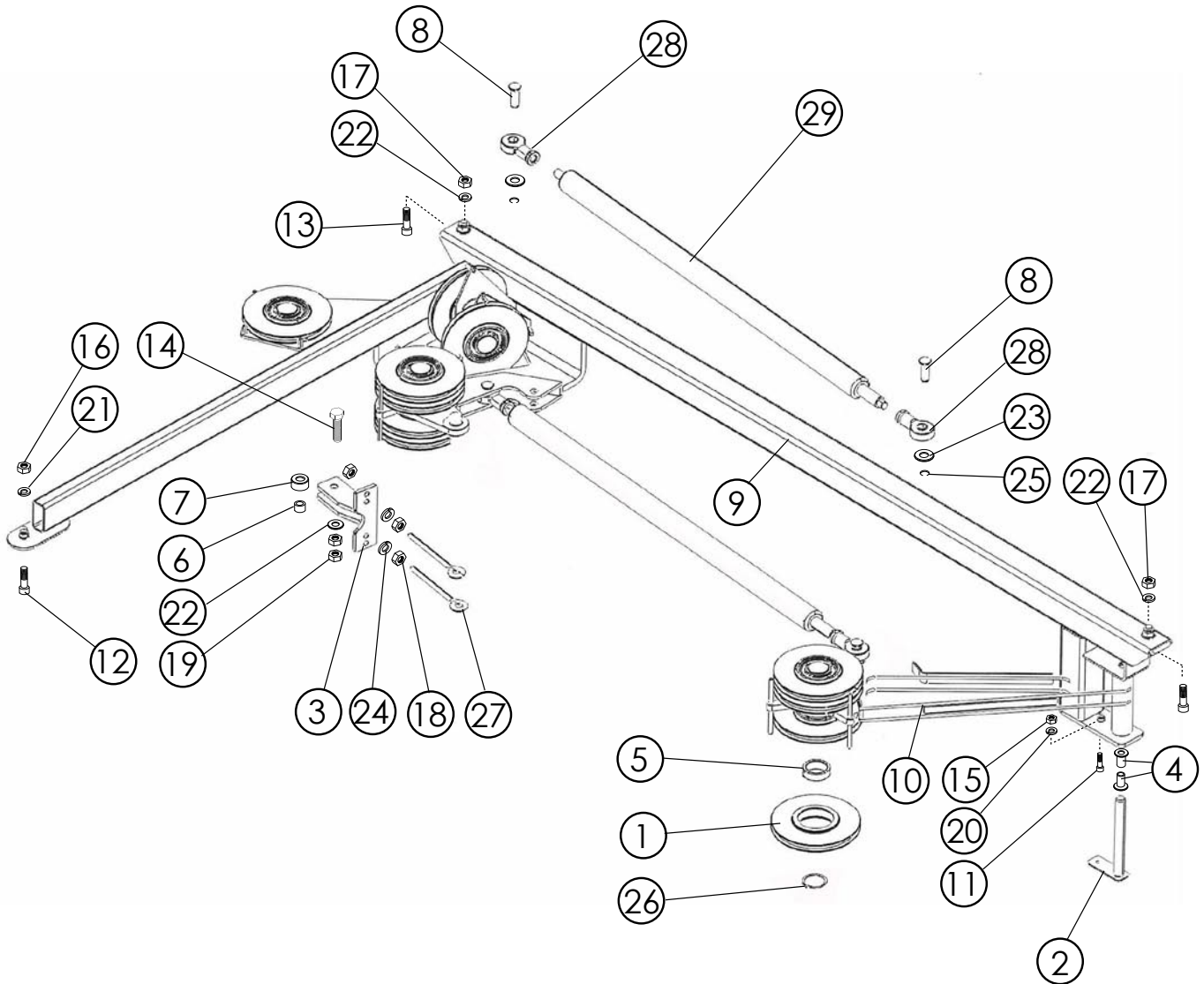
NO	QTY	DESCRIPTION	SCANCODE
1	1	Sleeve II	PG107439
2	1	Cam	PG107808
3	1	Angle	PG107813
4	2	Screw M6x16 8.8 A4J	89006001
5	1	Screw M10x30 10.9 A4J	89017508
6	2	Nut M6 8B A4J	89200501
7	1	Nut M10 8B A4J	89201200
8	4	Washer 6,4	89101301
9	1	Washer 10,5	89102301

2.9 CAGE SIDE DOOR PG108085



NO	QTY	DESCRIPTION	SCANCODE
1	1	Door	PG106794
2	2	Nyken glide	PG101339
3	1	Door lock (option)	PG107623
4	2	Screw with puffer GN708-M8-68	89014660
5	4	Screw M8x30 8.8 A4J	89011902
6	4	Spring washer Z 8,2	89107020
7	2	Nut M8 8B A4J	89204501

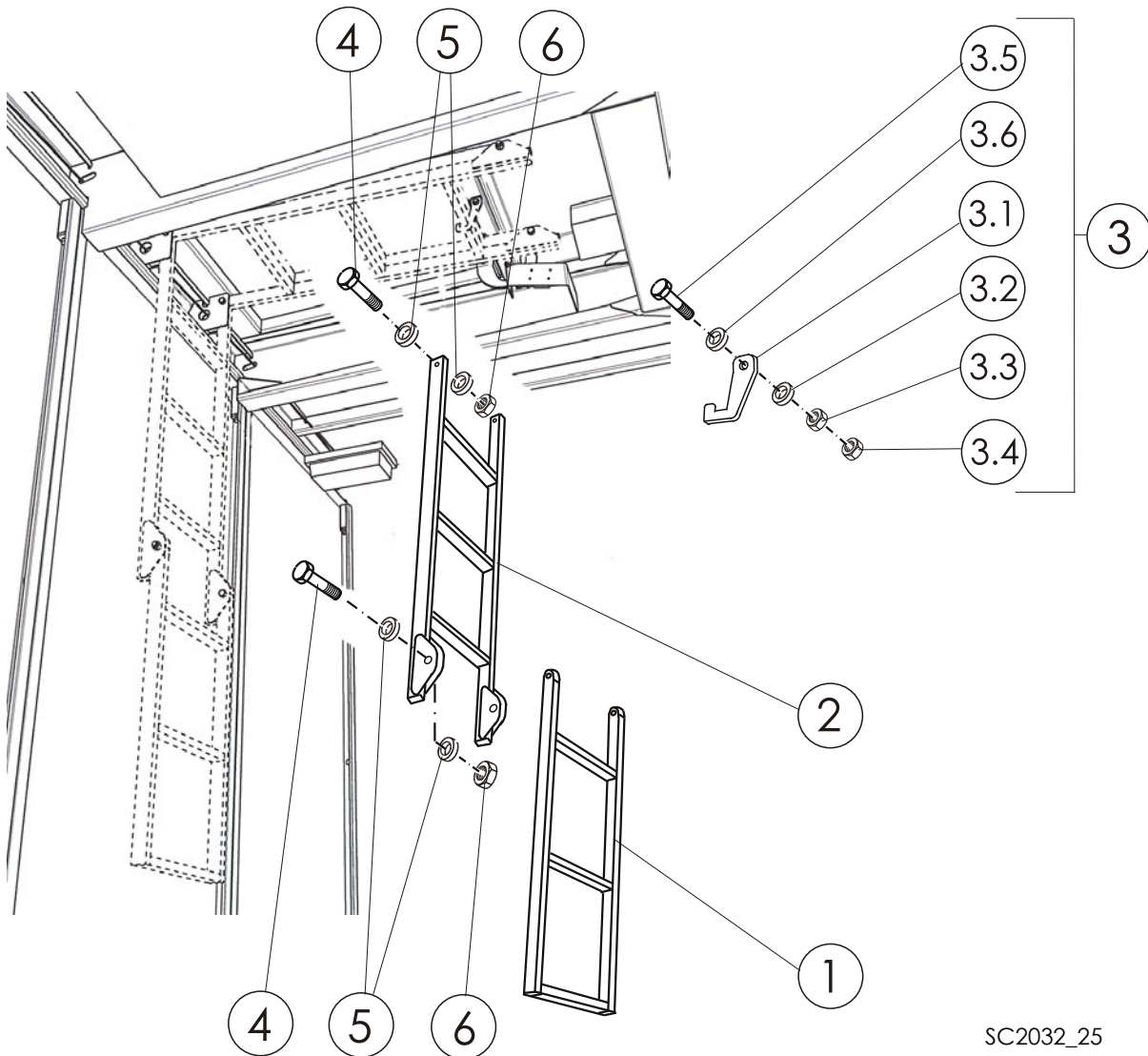
2.9.1 LIFTING ASSEMBLY FOR SIDE DOOR PG106606



NO	QTY	DESCRIPTION	SCANCODE
1	11	Wire wheel assembly	PG101176
2	1	Pin with plate	PG101211
3	1	Console	PG101226
4	2	Sleeve	PG102504
5	4	Distance sleeve	PG102505
6	1	Sleeve	PG102528
7	2	Washer	PG102529
8	4	Pin	PG105006
9	1	Frame	PG106583
10	1	Lever	PG106632
11	1	Screw M5x16 5.6 A4J	89002201
12	1	Screw M6x20 8.8 A4J	89006201
13	2	Screw M8x20 8.8 A4J	89009902
14	1	Screw M8x40 8.8 A4J	89012201
15	1	Nut M5 5 B A4J	89200201
16	1	Nut M6 8 B A4J	89200501
17	2	Nut M8 8 B A4J	89200801
18	4	Nut M6 8 A4J	89203400
19	2	Nut M 8 8 A4J	89203900
20	1	Washer 5,3	89100901
21	2	Washer 6,4	89101301
22	5	Washer 8,4	89101700
23	4	Washer 10,5	89102301
24	4	Spring washer Z 6,1	89106920
25	4	Spring retaining ring Z 10	51404100
26	7	Spring retaining ring Z 25	51414000
27	2	Eye screw M6x80x10 8.8	89008525
28	4	Joint PGIKR 10	51142020
29	2	Gas spring DOMO-05-495 1050/2000N	50200408

2.10

LADDERS PG102577

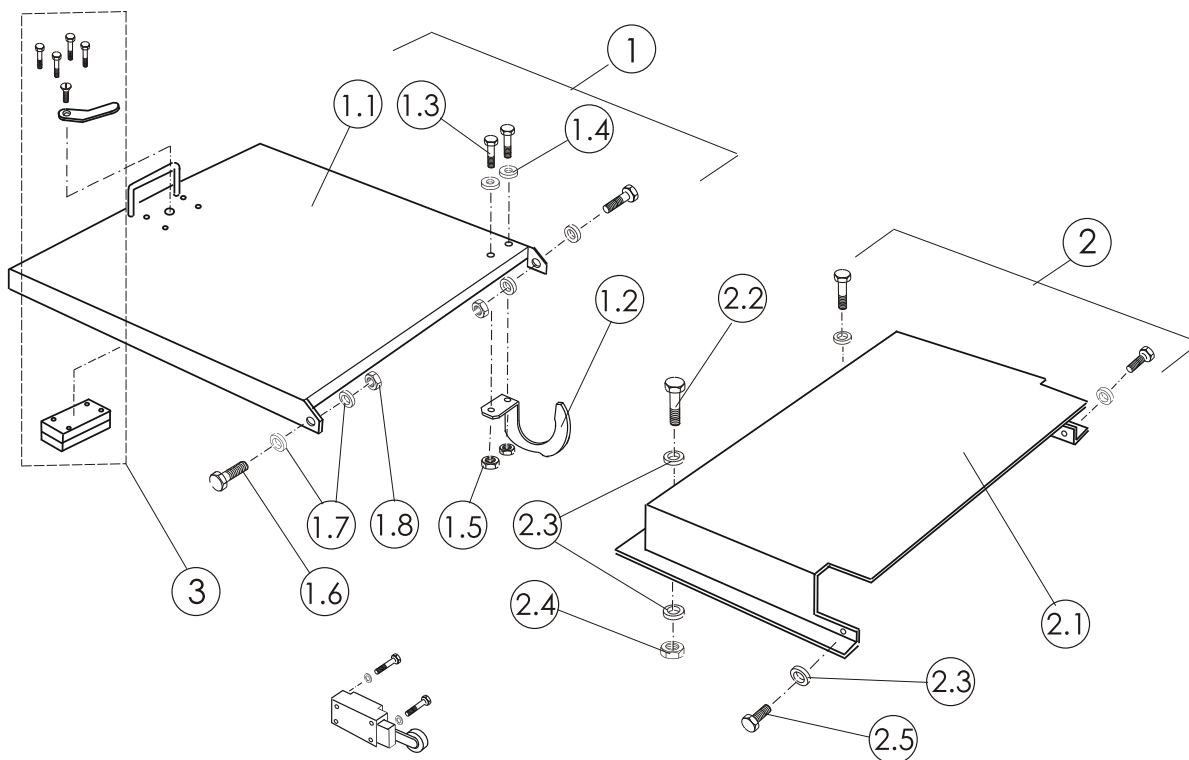


SC2032_25

NO	QTY	DESCRIPTION	SCANCODE
1	1	Frame 1	PG102567
2	1	Frame 2	PG102570
3	1	Hook assembly	PG102576
3.1	1	Hook	PG102571
3.2	1	Spring washer	89106920
3.3	1	Nut M6-8	89203400
3.4	1	Nut M6-8	89200501
3.5	1	Screw M6x25-8.8 A4J	89006610
3.6	1	Washer 6,4	89101301
4	4	Screw M12x50-8.8 A4J	89024001
5	8	Washer 13	89102801
6	4	Nut M12-8	89206800

2.11

ROOF HATCH AND COVER

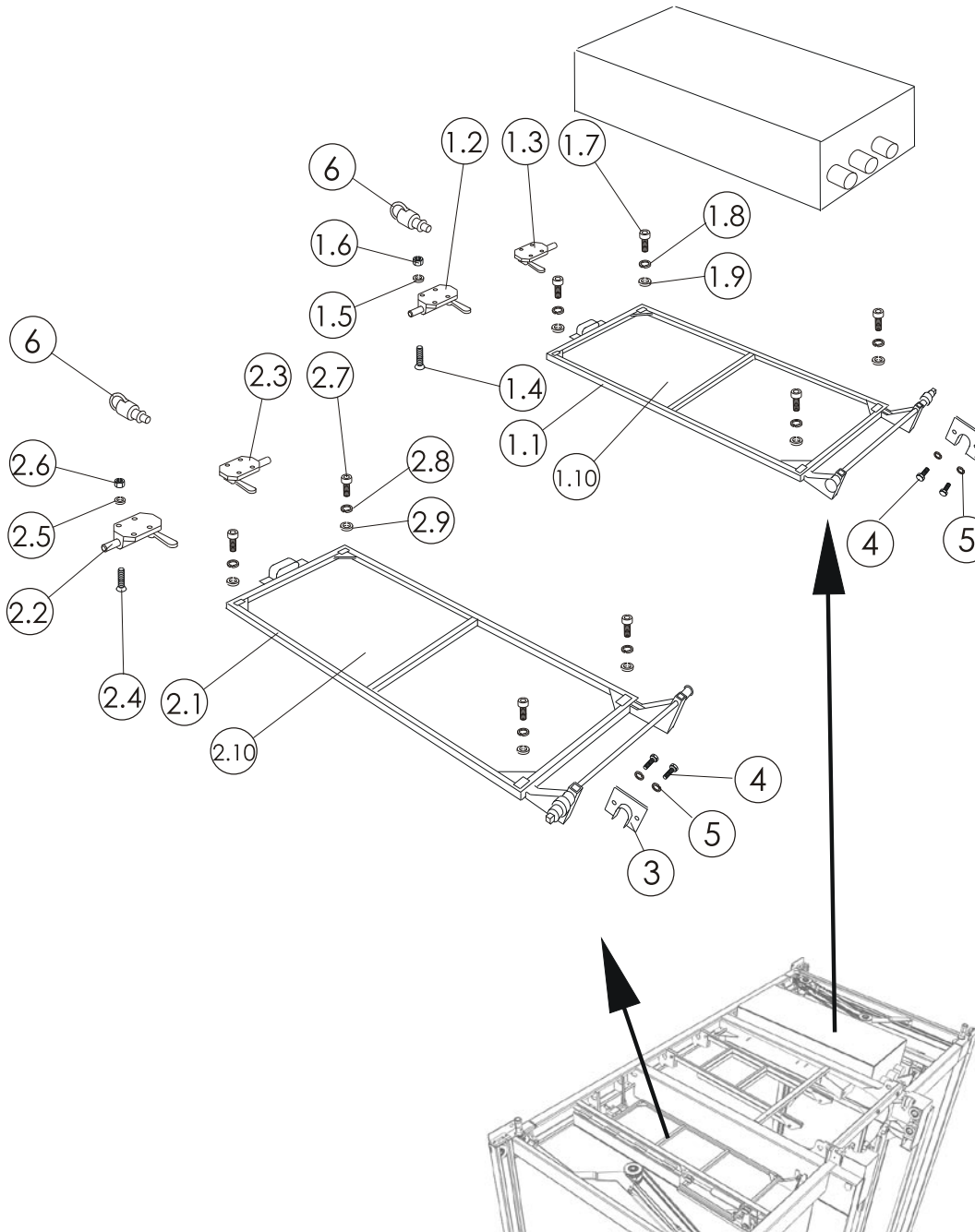


SC2032_32

NO	QTY	DESCRIPTION	SCANCODE
1	1	Hatch complete	PG101799
1.1	1	Hatch	PG101754
1.2	1	Arc	PG101743
1.3	2	Screw M8x25-8.8 A4J	89010702
1.4	2	Washer 8,5	89101900
1.5	2	Self locking nut M8-8	89200801
1.6	2	Screw M10x35-8.8 A4J	89017601
1.7	4	Spring washer Z10,2	89107120
1.8	2	Nut M10-8 A4J	89204901
2	1	Cover complete	PG101790
2.1	1	Cover	PG101748
2.2	2	Screw M8x50-8.8 A4J	89013502
2.3	6	Spring washer Z8,2	89107020
2.4	2	Self locking nut M8-8	89200801
2.5	2	Screw M8-16-8.8 A4J	89009402
3	1	Lock	PG101239

2.12

EL-BOX FRAMES



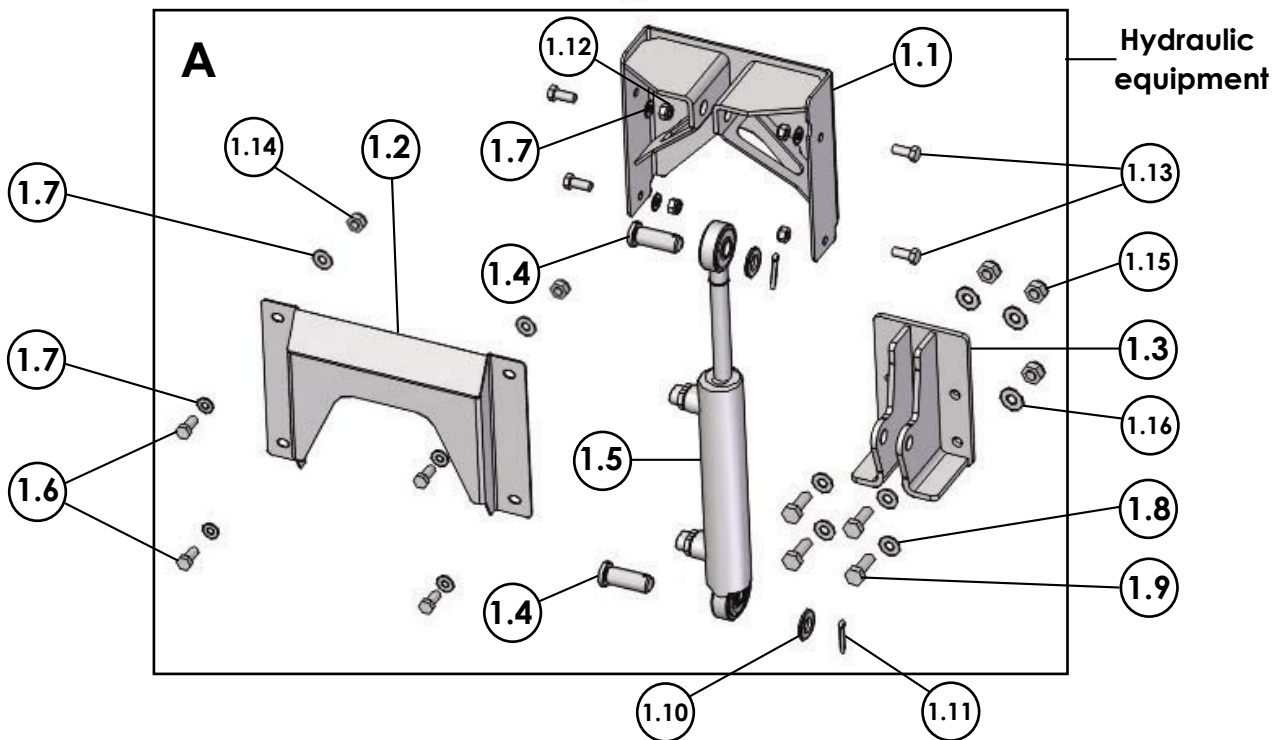
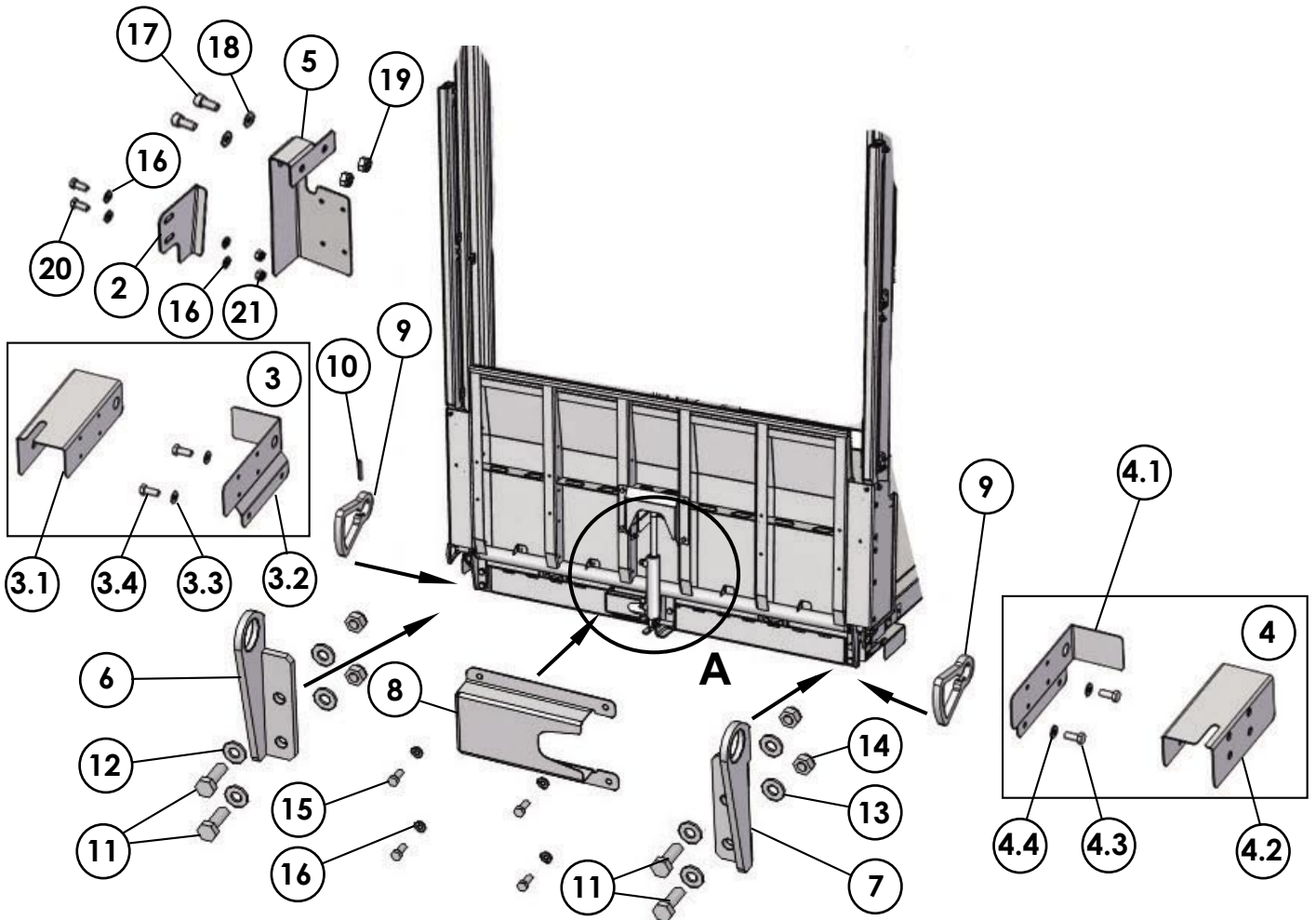
SC2032_46A

2.12

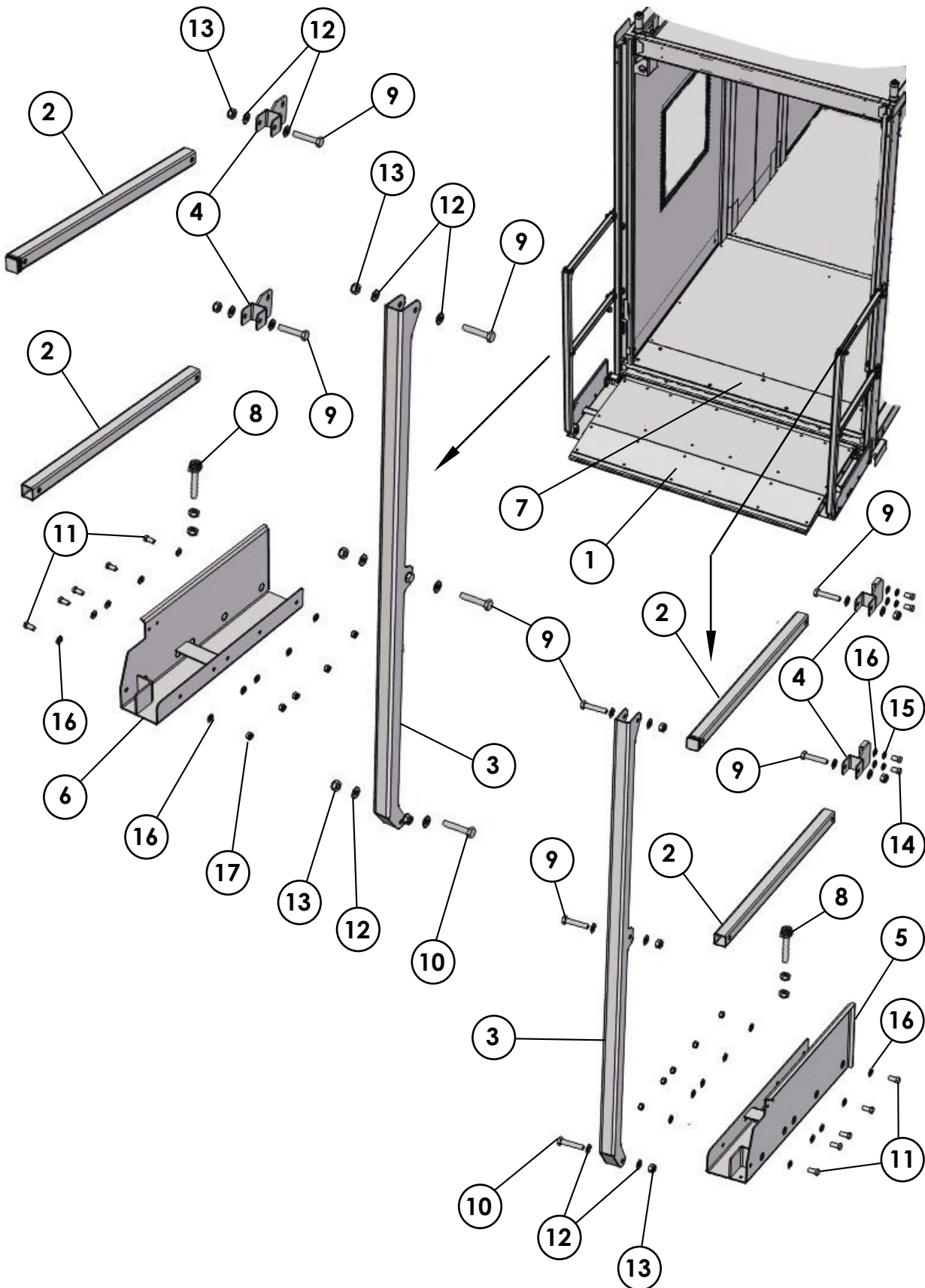
NO	QTY	DESCRIPTION	SCANCODE
1	1	El - box frame complete	PG102959
1.1	1	El - box frame	PG103880
1.2	1	Catch bolt 70/ASD	51147030
1.3	1	Catch bolt 70/ASS	51147031
1.4	8	Screw M4x16 8.8	89000660
1.5	8	Washer 4,3	89100501
1.6	8	Nut RM4 5B	89200100
1.7	4	Screw M8x25 A4J	89011401
1.8	4	Spring washer Z 8,1	89107020
1.9	4	Washer 8,4	89101700
1.10	1	Alu-plate	PG101966
2	1	El - box frame complete	PG103888
2.1	1	El - box frame	PG103879
2.2	1	Catch bolt 70/ASD	51147030
2.3	1	Catch bolt 70/ASS	51147031
2.4	8	Screw M4x16 8.8 A4J	89000660
2.5	8	Washer 4,3	89100501
2.6	8	Nut RM4 5B	89200100
2.7	4	Screw M8x25 A4J	89011401
2.8	4	Spring washer Z 8,1	89107020
2.9	4	Washer 8,4	89101700
2.10	1	Alu-plate	PG101966
3	2	Safety plate	PG104031
4	4	Screw M6x16 A4J	89017001
5	4	Spring washer 6,1	89106920
6	2	Catch bolt	PG105108

2.13

HYDRAULIC RAMP (option) PG115063



NO	QTY	DESCRIPTION	SCANCODE
1	1	Hydraulic equipment	
1.1	2	Console of hydraulic actuator I	PG114361
1.2	1	Cover	PG114364
1.3	1	Console of hydraulic actuator II	PG115205
1.4	2	Pin	PG114943
1.5	1	Hydraulic actuator	
1.6	18	Screw M8x20 8.8	10007354
1.7	44	Washer 8,4 Fe/Zn12bcA	10006178
1.8	4	Washer 10,5 Fe/Zn12bcA	10006186
1.9	4	Screw M10x30 8.8 A4J	10005657
1.10	1	Washer 17,5 Fe/Zn12bcA	10006202
1.11	1	Safety pin	10006519
1.12	18	Nut M8 8B A4J	10006281
1.13	8	Screw M8x16 8.8 A4J	10005542
1.14	18	Nut M8 8B A4J	10006281
1.15	2	Nut M10 8B A4J	10006286
1.16	4	Spring washer Z 10,2 Fe/Zn12bcA	10006239
2	1	Cam	PG115100
3	1	Switch cover I	PG115083
3.1	1	Console of cover	PG115082
3.2	1	Cover	PG115081
3.3	2	Screw M8x20 8.8 A4J	10005548
3.4	4	Washer 8,4 Fe/Zn12bcA	10006178
4	1	Switch cover II	PG115086
4.1	1	Console of cover	PG115085
4.2	1	Cover	PG115084
4.3	2	Screw M8x20 8.8 A4J	10005548
4.4	4	Washer 8,4 Fe/Zn12bcA	10006178
5	1	Switch cover	PG115103
6	1	Grip - right	PG114526
7	1	Grip - left	PG114529
8	1	Cover	PG115119
9	2	Cam	PG114970
10	2	Slotted spring-type straight pin	10006425
11	6	Screw M12x35 8.8 A4J	10005738
12	4	Washer 13 Fe/Zn12bcA	10006196
13	4	Washer 13 HV	10006199
14	4	Nut M12 8B A4J	10006291
15	6	Screw M6x16 8.8 A4J	10005499
16	16	Washer 6,4 Fe/Zn12bcA	10006175
17	2	Screw M8X20 8.8 A4J	10005554
18	2	Washer 8,4 Fe/Zn12bcA	10006178
19	2	Nut M8 8B A4J	10006281
20	2	Screw M6X16 8.8 A4J	10005499
21	2	Nut M6 8B A4J	10006278



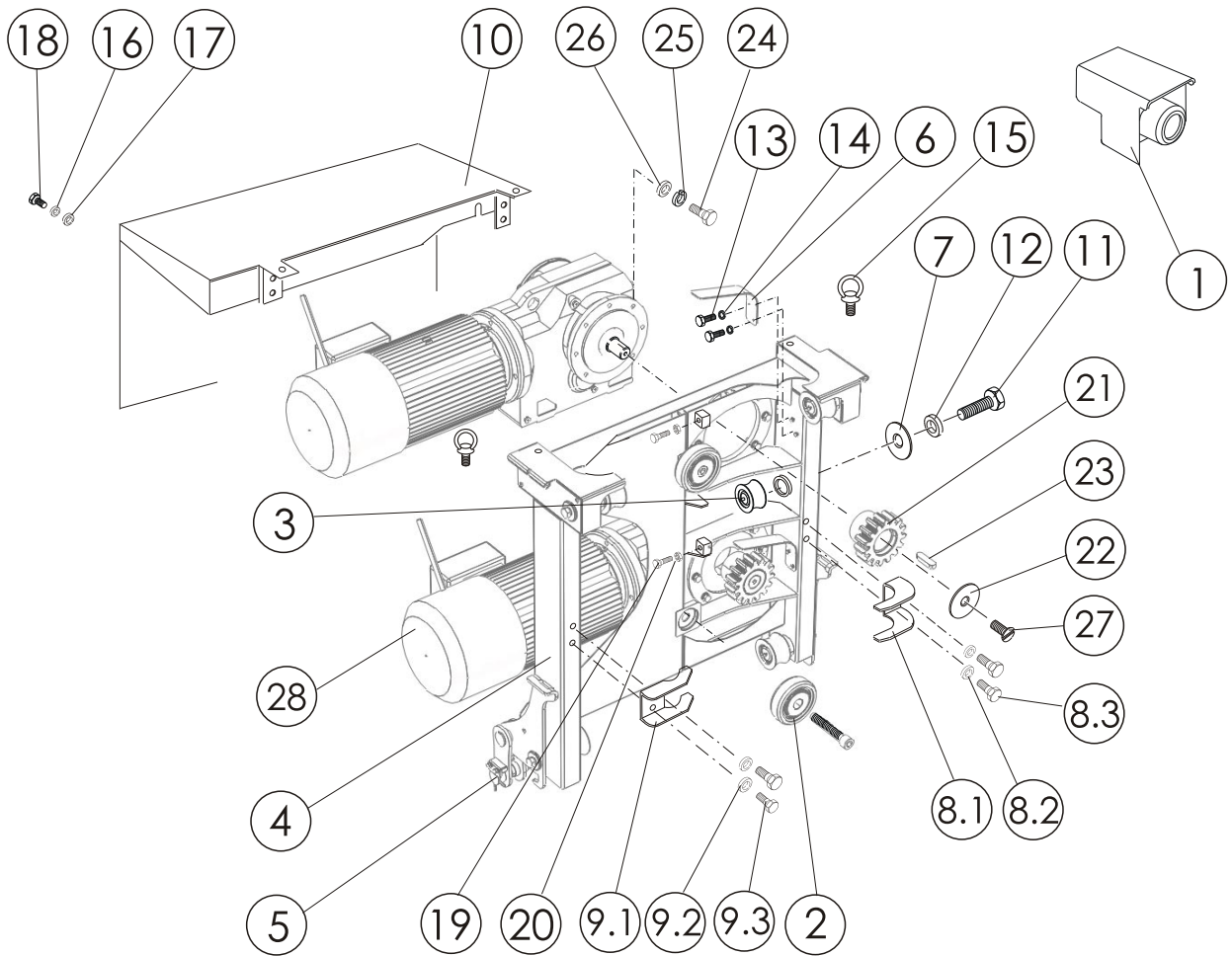
2.13

NO	QTY	DESCRIPTION	SCANCODE
1	1	Ramp	PG114492
2	4	Steel sections	PG114306
3	2	Railing	PG114372
4	1	Grip of railing I	PG114515
5	1	Side cover I	PG114520
6	1	Side cover II	PG114519
7	1	Plywood birch 24mm left	PG114947
8	2	Press bolt M8	10005612
9	8	Screw M10x55 8.8	10007193
10	2	Screw M10x60 8.8	10007183
11	18	Screw M8x20 8.8	10007354
12	20	Washer 10,5 Fe/Zn12bcA	10006186
13	10	Nut M10 8A A4J	10006287
14	8	Screw M8x16 8.8 A4J	10005542
15	8	Spring washer Z 8,2 Fe/Zn12bcA	10006236
16	44	Washer 8,4 Fe/Zn12bcA	10006178
17	18	Nut M8 8B A4J	10006281

3

LIFTING ASSEMBLY

SC1837 - PG109669
 SC1837F - PG109923
 ,SC1837FL - PG109665



SC2032_20A

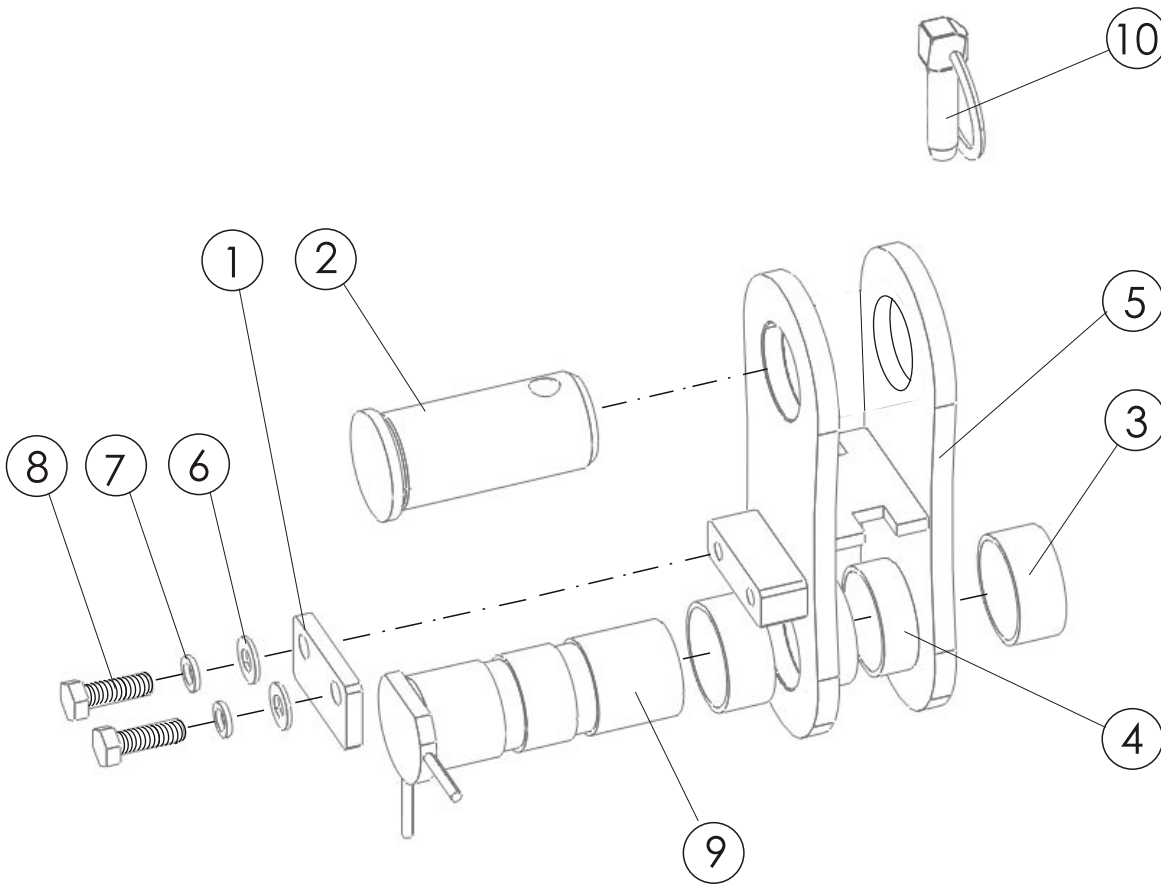
SCANCLIMBER®

NO	QTY	DESCRIPTION	SCANCODE
1	1	Fixing plate of inductive sensor compl	PG104455
2	2	Support wheel assembly	PG109578
3	6	Wheel assembly	PG111135
4	1	Frame	PG102596
5	2	Overload system	PG101351
6	2	Cover	PG101345
7	6	Washer	PG101334
8	1	Console assembly	PG102608
8.1	1	Console	PG102606
8.2	2	Spring washer Z16,3	89107212
8.3	2	Screw M16x55-8.8	89030001
9	1	Console assembly	PG102609
9.1	1	Console	PG102604
9.2	2	Spring washer 16,3	89107212
9.3	2	Screw M16x55-8.8	89030001
10	1	Cover with cassette OP5	PG104454
11	6	Screw M16x110-8.8	89032201
12	6	Washer NL16	89110160
13	4	Screw M6x10-8.8	89004901
14	4	Washer 6,4	89101301
15	2	Eye bolt	89000202
16	4	Spring washer Z8,2	89107020
17	4	Washer 8,4	89101710
18	4	Screw M8x16-8.8	89009402
19	2	Screw M20x80-8.8	89035705
20	2	Nut M20+8	89210205
1-20	1	Lifting assembly frame	PG101343
21	2	Pin	PG101247
22	2	Washer	PG101285
23	2	Wedge 18x11x63A	2D00239A
24	14	Screw M12x35-10.9	89023103
25	14	Spring washer Z12,2	89107208
26	14	Washer 13	89102702
27	2	Screw M20x45-10.9	89068610
28		Motorgear	
SC1837	2	SK9042.1 VZ-160M/4 BRE250HL NORD 11KW	50721002
SC1837F	1	SK9042.1 VZ-160M/4 BRE250HL NORD 11KW	50721002
	1	SK9042.1 VZ-160M/4 BRE250HL IG NORD 11KW	50721003
SC1837FL	1	SK9042.1 VZ-160M/4 BRE250HL NORD 11KW	50721001
	1	SK9042.1 VZ-160M/4 BRE250HL IG NORD 11KW	50721003

3.1

OVERLOAD SYSTEM

PG101351



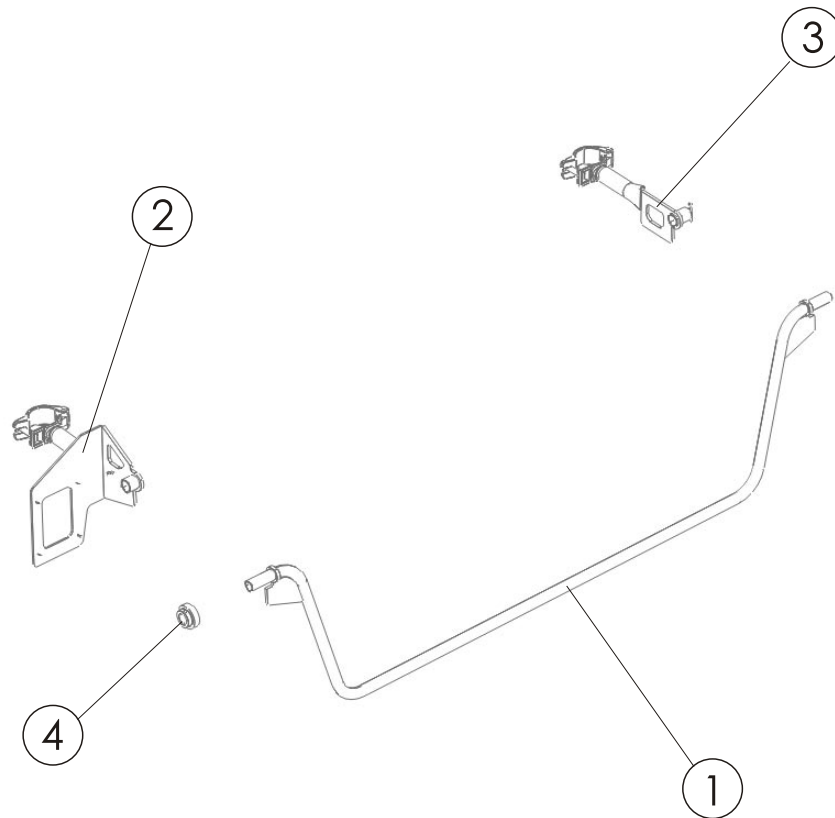
SC2032_21

NO	QTY	DESCRIPTION	SCANCODE
1	1	Plate	PG101413
2	1	Pin	PG101164
3	2	Sleeve	PG101350
4	2	Sleeve	PG101347
5	1	Link	PG101160
6	2	Washer 8,4	89101700
7	2	Spring washer 8,2	89107020
8	2	Screw M8x25-8.8 A4J	89010702
9	1	Pin transducer TPE/3500-BPE	66211201
10	1	Ring cotter	89315210

4.1

STOP LANDING RAILING

PG103389

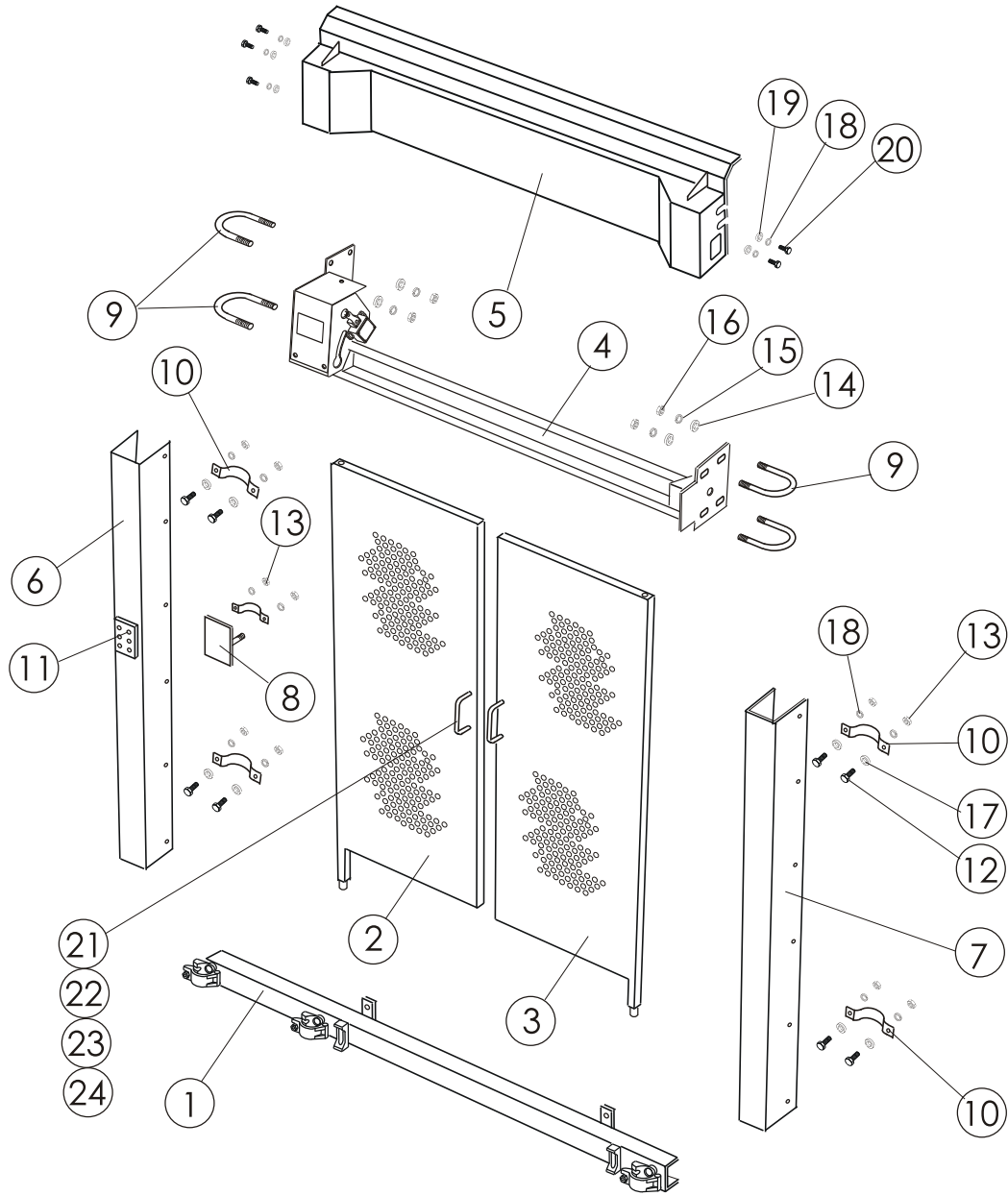


SC2032_39

NO	QTY	DESCRIPTION	SCANCODE
1	1	Railing	PG103364
2	1	Console	PG103379
3	1	Hook 2	PG103388
4	1	Cam	PG103390

4.2

LANDING DOOR ver. with lock ZB88 PG104171



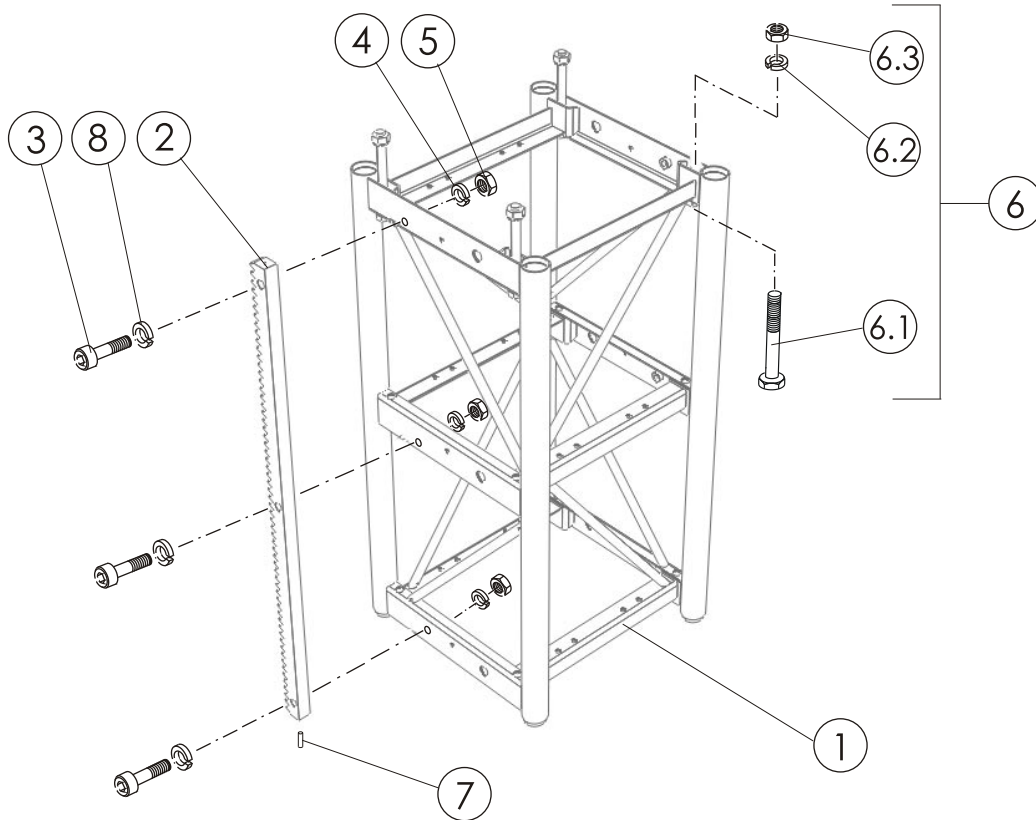
SC2032_48A

4.2

NO	QTY	DESCRIPTION	SCANCODE
1	1	Stop railing beam	PT100237
2	1	Doorhalf left	PG108341
3	1	Doorhalf right	PG108339
4	1	Safety lock type ZB-88 ver 36	PG104120
5	1	Housing of safety lock	PG104129
6	1	Cover	PG104344
7	1	Cover	PG104345
8	1	Plate with pins	PG104338
9	4	Bow	PG102804
10	5	Clamping ring	PG102807
11	1	Control box OP4	66103501
12	8	Screw M6x30-8.8 A4J	89007001
13	10	Nut M6-8 A4J	8903400
14	8	Washer 10,5	89102301
15	8	Spring washer Z 10,5	89107120
16	8	Nut M10-8 A4J	89204901
17	10	Washer 6,4	89101301
18	15	Spring washer Z6,1	89106920
19	5	Washer 6,4	89101401
20	5	Screw M6x16 8.8 A4J	89005501
21	2	Hand grip GN 565-26-128-SW	51145100
22	4	Screw M8x16 8.8 A4J	89009601
23	4	Washer 8,5	89101900
24	4	Spring washer Z 8,2	89107020

5.1

MAST SECTION COMPLETE ver. std PG102051

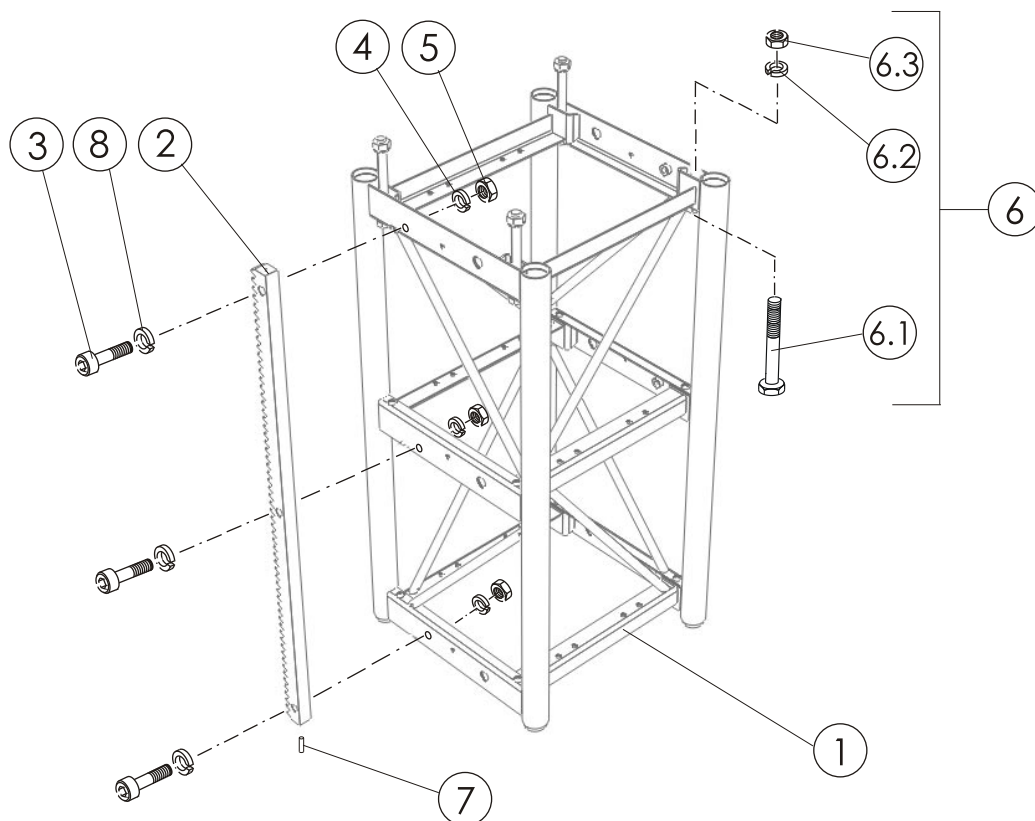


SC2032_28

NO	QTY	DESCRIPTION	SCANCODE
1	1	Mast section	PG101900(2)
2	1	Rack	PG101977
3	3	Screw M16x80-12.9 A4J	89032010
4	3	Washer 17	89103601
5	3	Nut M16-10 A4J	89201602
6	4	Mast section screw complete	PG104239
6.1	4x1	Screw M24x260-10.9	PG104238
6.2	4x1	Washer 25 HV	89104701
6.3	4x1	Nut M24-10 A4J	89210801
7	1	Pin	PG100795
8	3	Spring washer Z 16,3	89107212

5.2

MAST SECTION COMPLETE ver. Fin PG102511

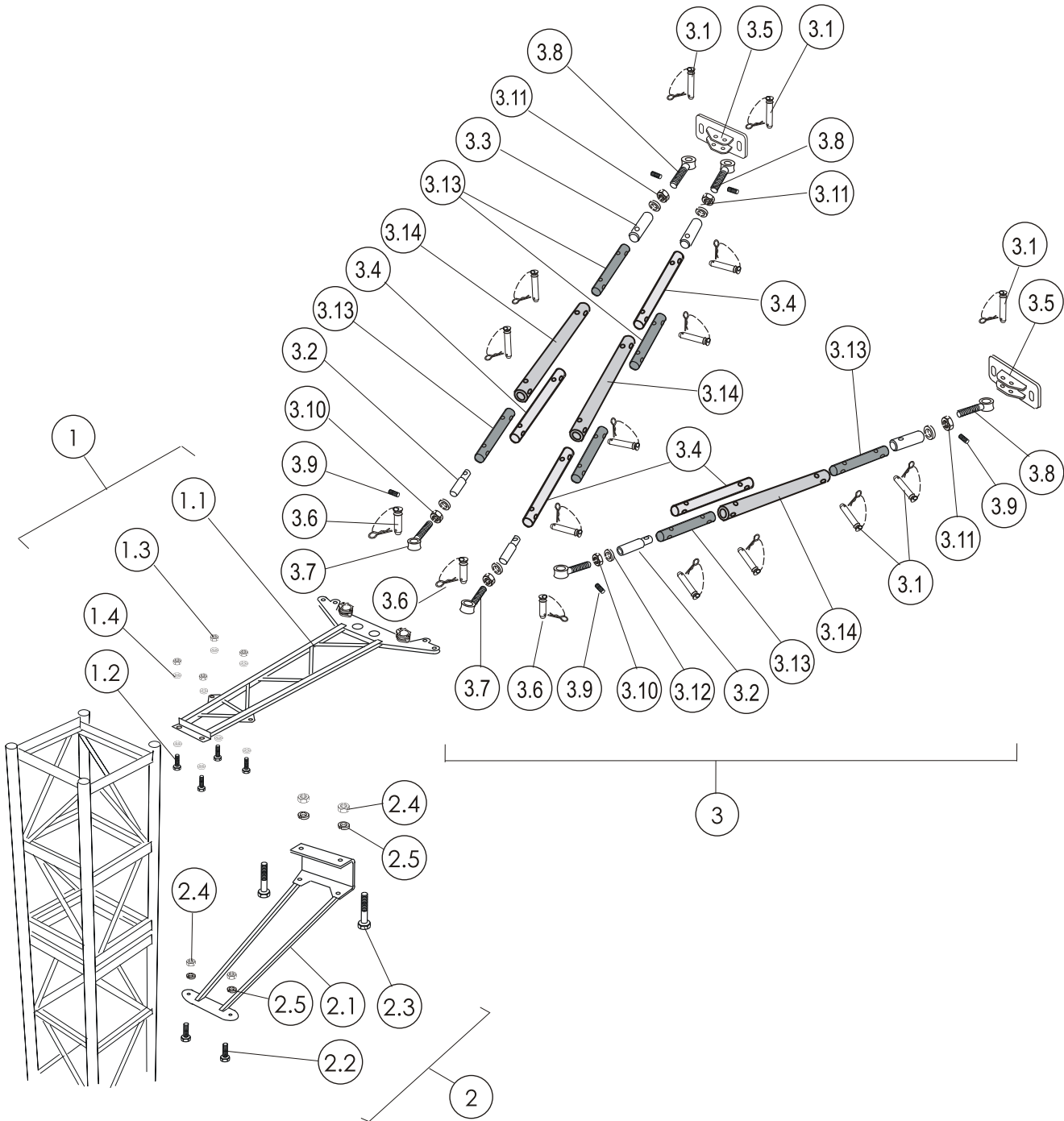


SC2032_29

NO	QTY	DESCRIPTION	SCANCODE
1	1	Mast section	PG101900(2)
2	1	Rack	PG101977
3	3	Screw M16x80-12.9 A4J	89032010
4	3	Washer 17	89103601
5	3	Nut M16-10 A4J	89201602
6	4	Mast section screw complete	
6.1	4x1	Screw M24x260-10.9	89038810
6.2	4x1	Washer 25 HV	89104701
6.3	4x1	Nut M24-8A A4J	89201611
7	1	Pin	PG100795
8	3	Spring washer Z 16,3	89107212

6.1

MAST ANCHORING COMPLETE PG107070 L= 490-3140mm



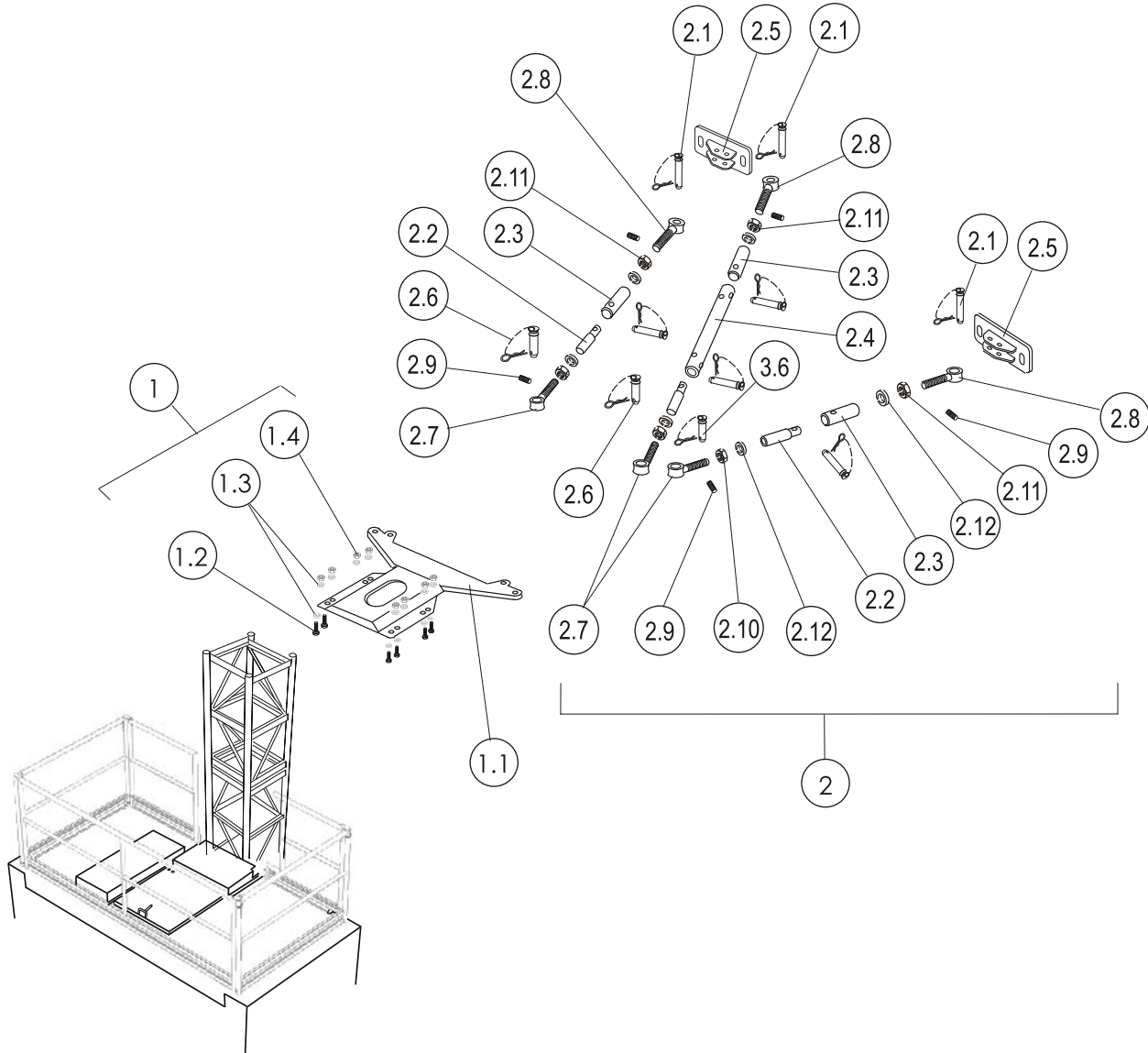
6.1

NO	QTY	DESCRIPTION	SCANCODE
1	1	Mast tie complete	PG107069
1.1	1	Mast tie	PG107060
1.2	4	Screw M16x40-8.8 A4J	89029001
1.3	4	Nut M16-8 A4J	89208100
1.4	8	Washer 17HV	89103601
2	1	Anchoring console complete	PG107059
2.1	1	Console	PG107056
2.2	2	Screw M16x40-8.8 A4J	89029001
2.3	2	Screw M16x75-8.8 A4J	89031601
2.4	4	Nut M16-8 A4J	89208100
2.5	8	Washer 17	89103601
3	1	Anchoring pipes ver. V	PG105365
3.1	15	Long pin complete	PG104157
3.2	3	Pipe-R	PG104170
3.3	3	Pipe-L	PG104174
3.4	4	Pipe L=1030	PG104201
3.5	2	Wall bracket	PG104705
3.6	3	Pin complete	PG105360
3.7	3	Joint M24x2-R	PG102007wA
3.8	3	Joint M24x2-L	PG102007wB
3.9	6	Screw M5x20 45H	89105810
3.10	3	Nut M24x2-10 R	89210810
3.11	3	Nut M24x2-10 L	89210811
3.12	6	Washer 25HV	89104701
3.13	6	Pipe L=580	PG104198
3.14	3	Middle pipe	PG104213

6.2

BACK ANCHORING COMPLETE L= 490-735mm

PG105370

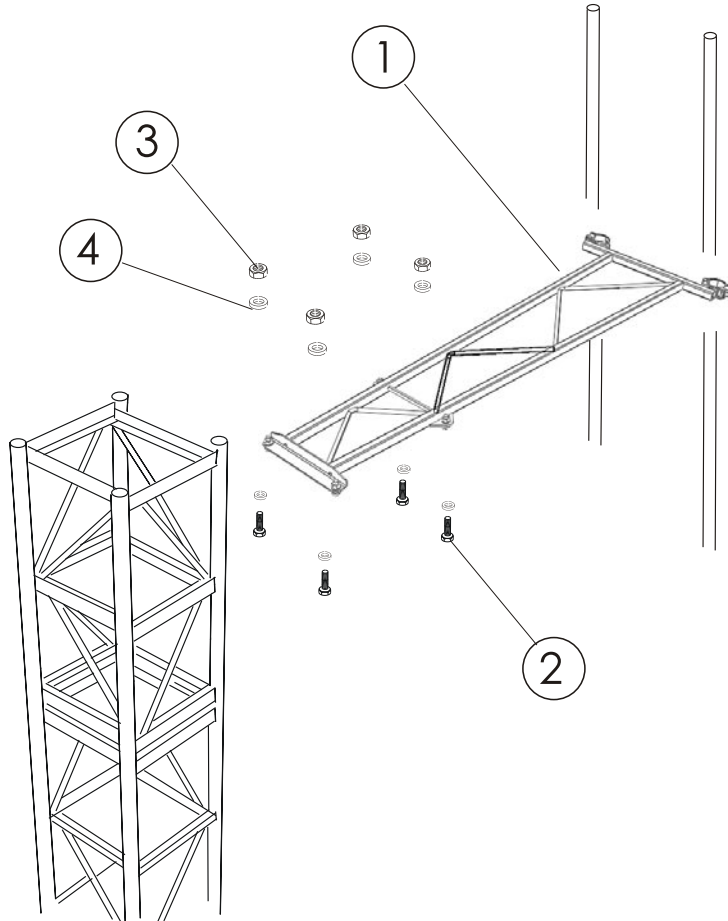


NO	QTY	DESCRIPTION	SCANCODE
1	1	Back anchor complete	PG104980
1.1	1	Back anchor	PG104237
1.2	4	Screw M16x40-8.8 A4J	89029001
1.3	4	Washer 17HV	89103601
1.4	8	Nut M16-8 A4J	89208501
2	1	Anchoring pipes ver. I	PG105361
2.1	7	Long pin complete	PG104157
2.2	3	Pipe-R	PG104170
2.3	3	Pipe-L	PG104174
2.4	1	Pipe L=1030	PG104201
2.5	2	Wall bracket	PG104705
2.6	3	Pin complete	PG105360
2.7	3	Joint M24x2-R	PG102007wA
2.8	3	Joint M24x2-L	PG102007wB
2.9	6	Screw M5x20 45H	89105810
2.10	3	Nut M24x2-10 R	89210810
2.11	3	Nut M24x2-10 L	89210811
2.12	6	Washer 25HV	89104701

6.3

PULLING ANCHOR COMPLETE

PG107053

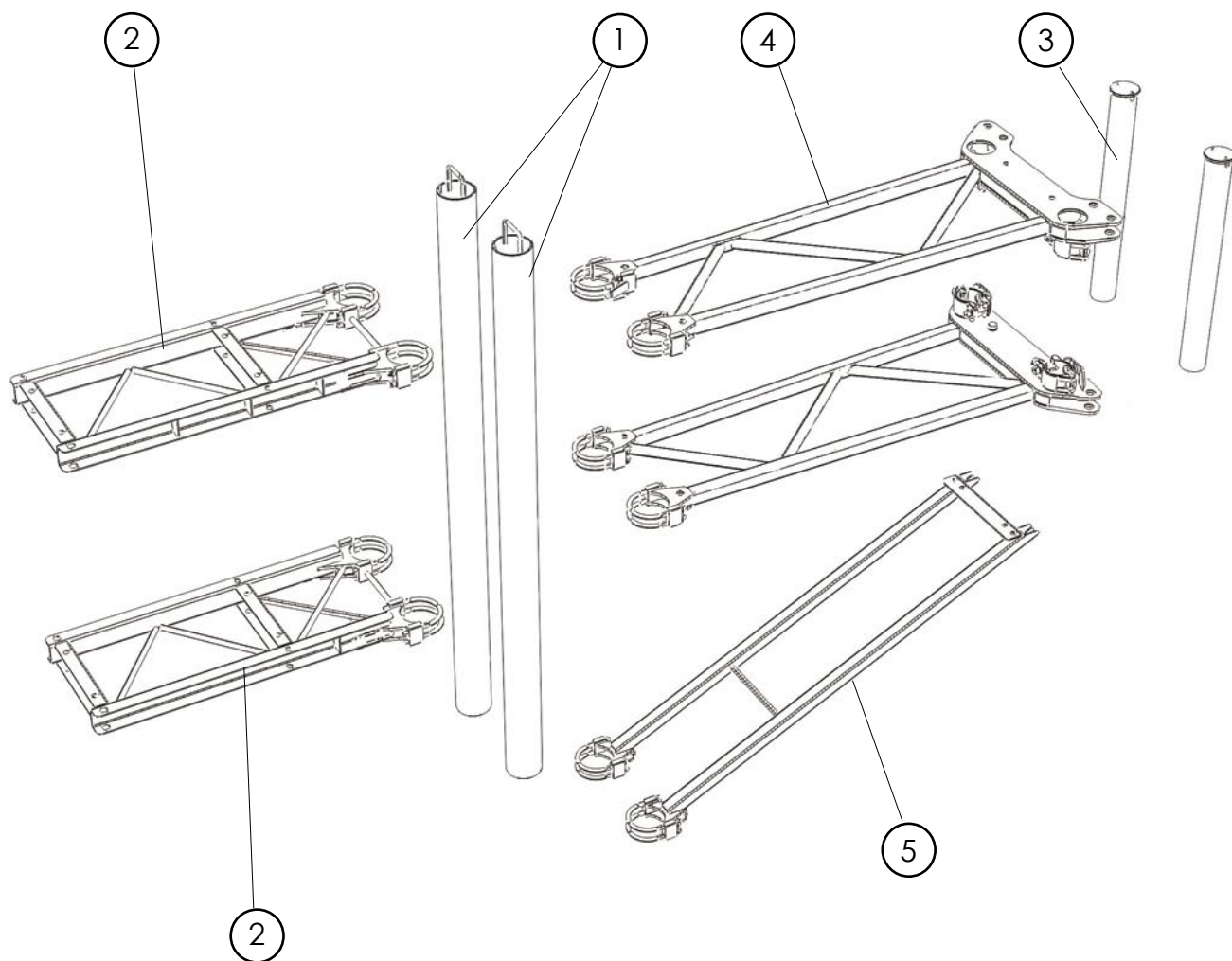


SC2032_34

NO	QTY	DESCRIPTION	SCANCODE
1	1	Pulling anchor	PG107048
2	4	Screw M16x40 - 8.8 A4J	89029001
3	4	Nut M16-8 A4J	89208100
4	8	Washer 17HV	89103601

6.4

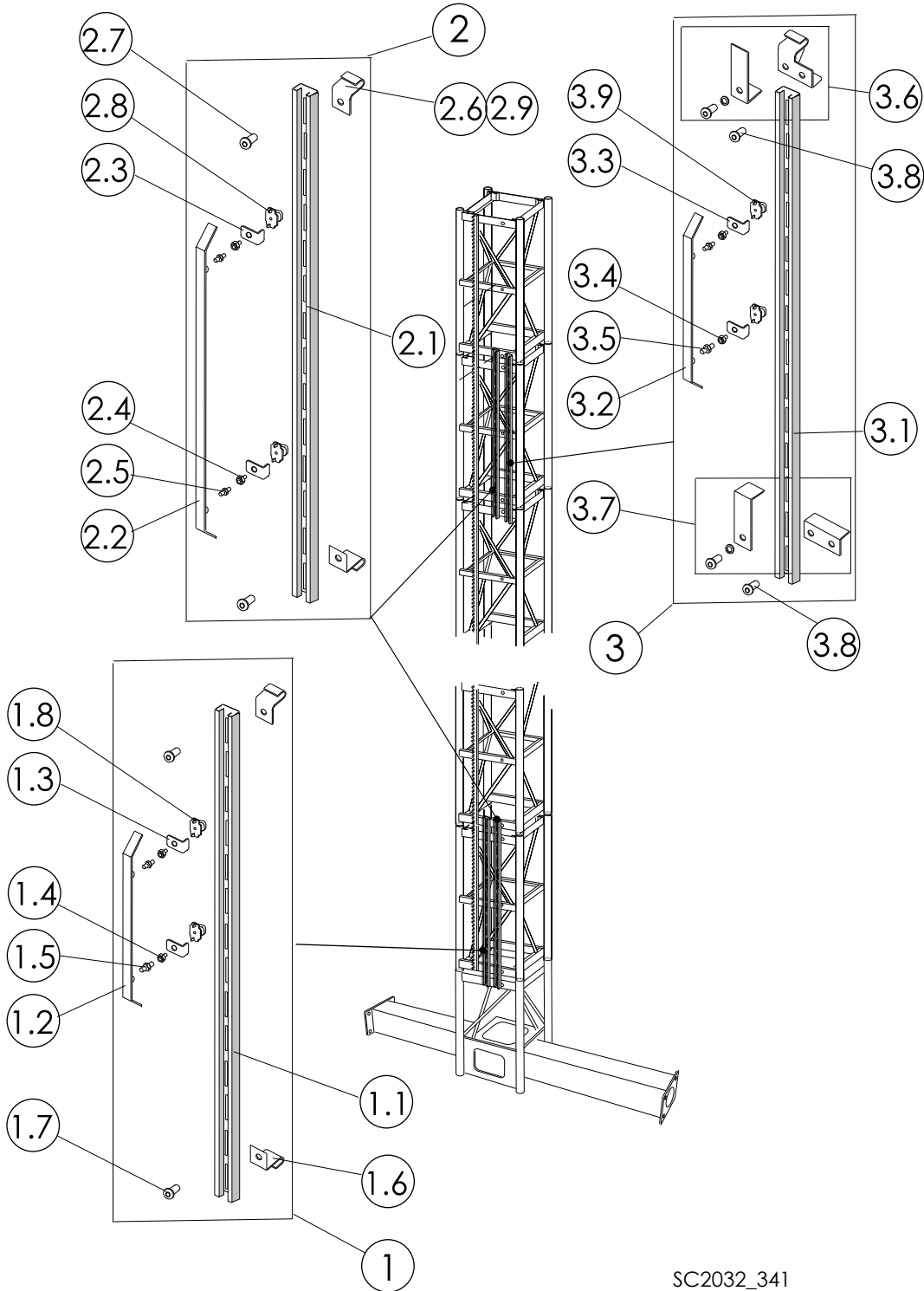
ELEMENTS OF VERTICALLY ANCHORING PG115114



NO	QTY	DESCRIPTION	SCANCODE
1	2	Vertical pipe	PG109447
2	2	Anchoring console compl.	PG109506
3	2	Pipe	PG109550
4	2	Anchoring compl.	PG115139
5	1	Console complete	PG115141

7.1

LIMIT CAMS PG114971

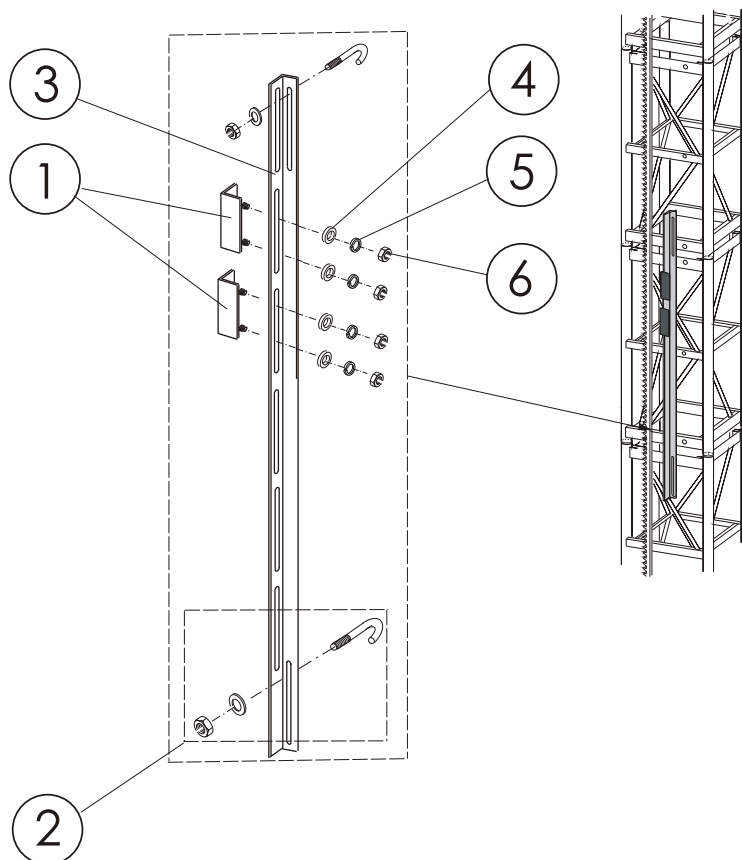


SC2032_341

NO	QTY	DESCRIPTION	SCANCODE
1	1	Down final limit cam	PG114862
1.1	1	Rail cam	PG103947
1.2	1	Cam	PG114863
1.3	2	Plate	PG116728
1.4	2	Spring	10007355
1.5	2	Screw M6x40	10007722
1.6	2	Holder	PG116076
1.7	2	Screw M8x16 (cat. Fabory)	89064416
1.8	2	Nut M6 (Hilti)	89201906
2	2	Limit cam	PG114839
2.1	2x1	Rail cam	PG103947
2.2	2x1	Long cam	PG114848
2.3	2x2	Plate	PG116728
2.4	2x2	Spring	10007355
2.5	2x2	Screw M6x40	10007722
2.6	2x2	Holder	PG116076
2.7	2x2	Screw M8x16 (cat. Fabory)	89064416
2.8	2x2	Nut M6 (Hilti)	89201906
2.9	2x4	Screw M5x12 45H	89056410
3	1	Up final limit cam	PG114948
3.1	1	Rail cam	PG103947
3.2	2	Cam	PG114863
3.3	2	Plate	PG116728
3.4	2	Spring	10007355
3.5	2	Screw M6x40	10007722
3.6	1	Special holder complete	PG116116
3.7	1	Special holder complete left	PG116119
3.8	2	Screw M8x16 (cat. Fabory)	89064416
3.9	2	Nut M6 (Hilti)	89201906

7.2

STOP LANDING CAM PG102889



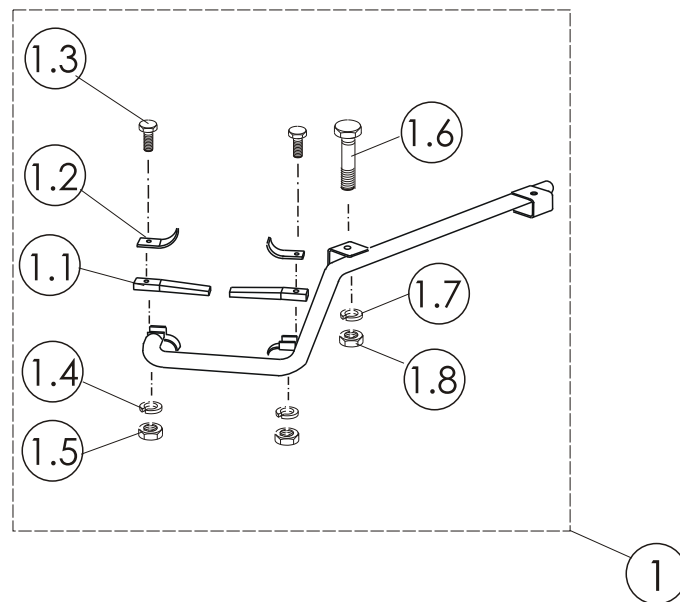
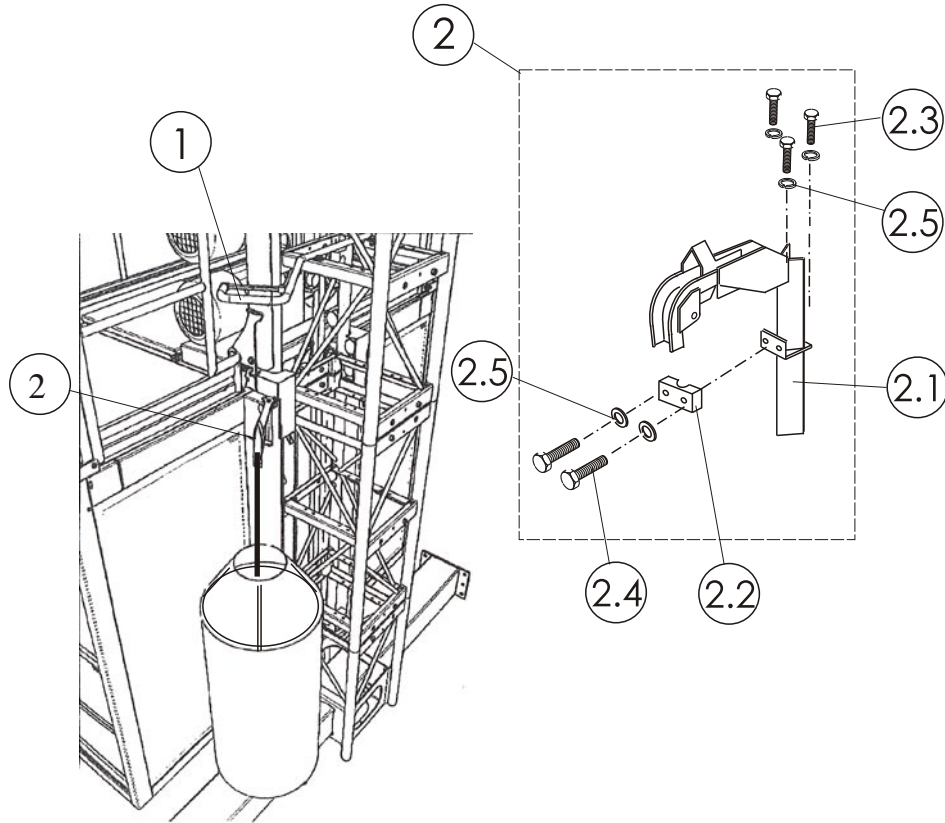
SC2032_342

NO	QTY	DESCRIPTION	SCANCODE
1	2	Cam	PG102887
2	2	Hook complete	PG101379
3	1	Angle	PG101349
4	2	Washer 10,5	89102301
5	2	Spring washer Z10,2	89107120
6	2	Nut M10-5 A4J	89205801

8

**CABLE GUIDE
CABLE HOLDER COMPLETE**

**PG102560
PG104009**



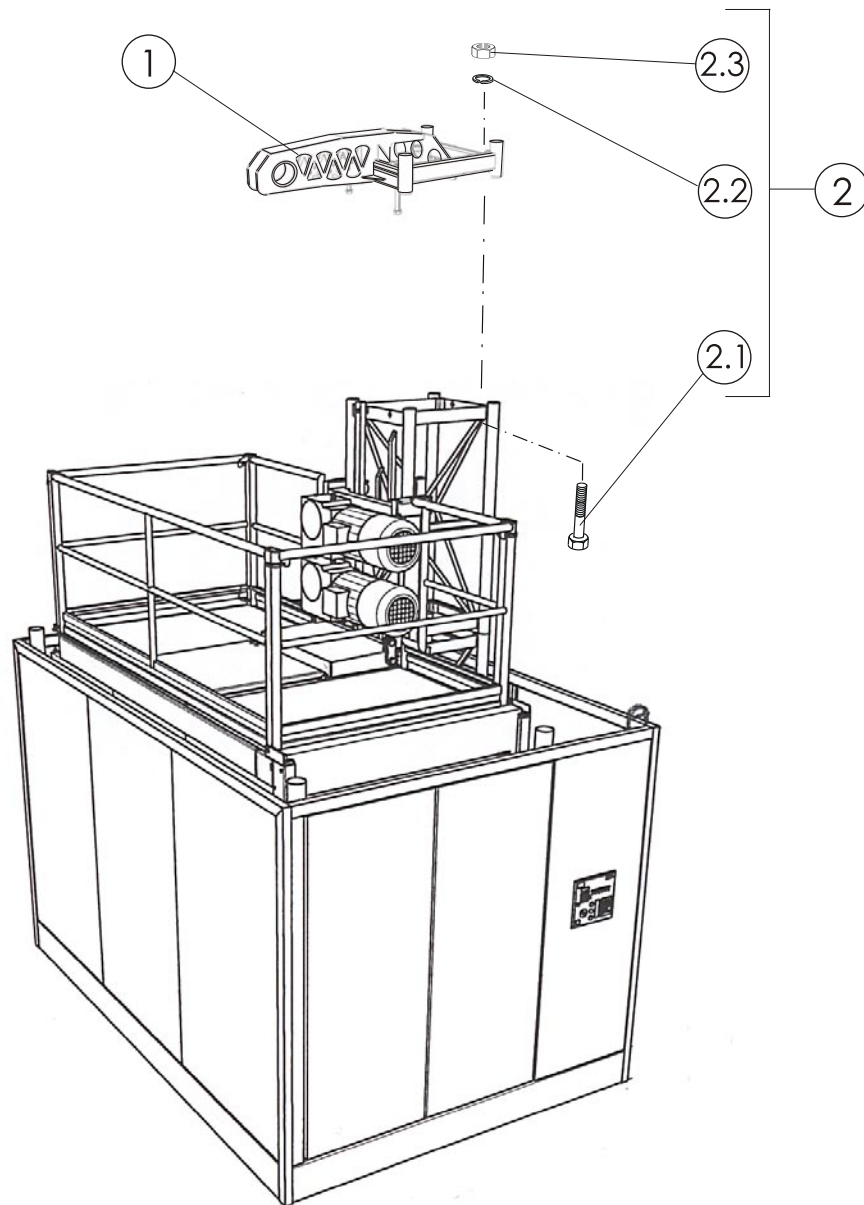
SC2032_33A

NO	QTY	DESCRIPTION	SCANCODE
1	n	Cable guide	PG102560
1.1	2	Elastic band	PG102558
1.2	2	Plate	PG102557
1.3	2	Screw M5x25-5.8 A4J	89002901
1.4	2	Spring washer Z5,1	89105801
1.5	2	Self locking nut M5-5	89200101
1.6	2	Screw M16x20-8.8 A4J	89031701
1.7	2	Washer 17	89103501
1.8	2	Nut M16-8 A4J	89201601
2	1	Cable holder complete	PG104009
2.1	1	Cable holder	PG104007
2.2	1	Cable clamp	PG104008
2.3	3	Screw M10x20 8.8 A4J	89016801
2.4	2	Screw M10x40 10.9 A4J	89018701
2.5	5	Spring washer Z 10,2	89107120

9

TOP CAP COMPLETE

PG102636

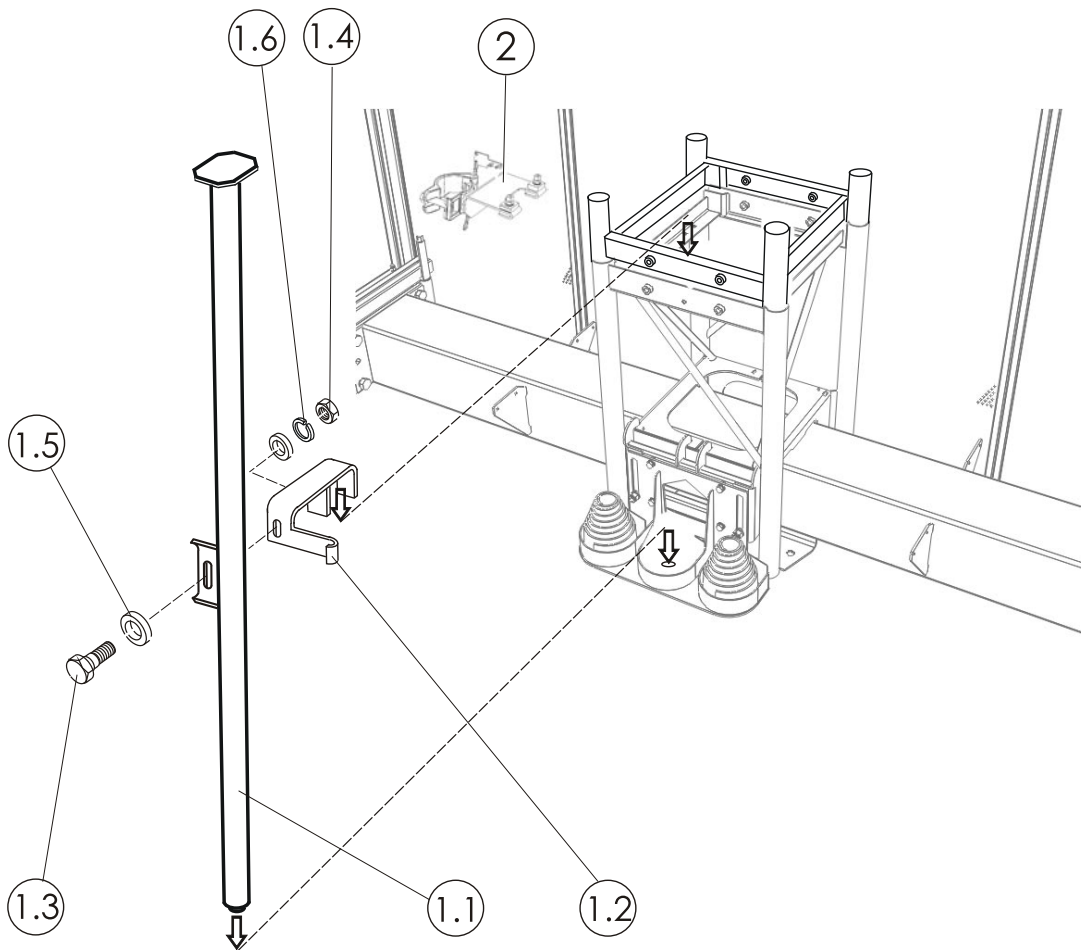


SC2032_35

NO	QTY	DESCRIPTION	SCANCODE
1	1	Top cap	PG102631
2	4	Screw complete	89038803
2.1	4x1	Screw M24x245-10.9 A4J	89038800
2.2	4x1	Washer 25 HV	89104701
2.3	4x1	Nut M24-10 A4J	89201611

10

SAFETY PIPE



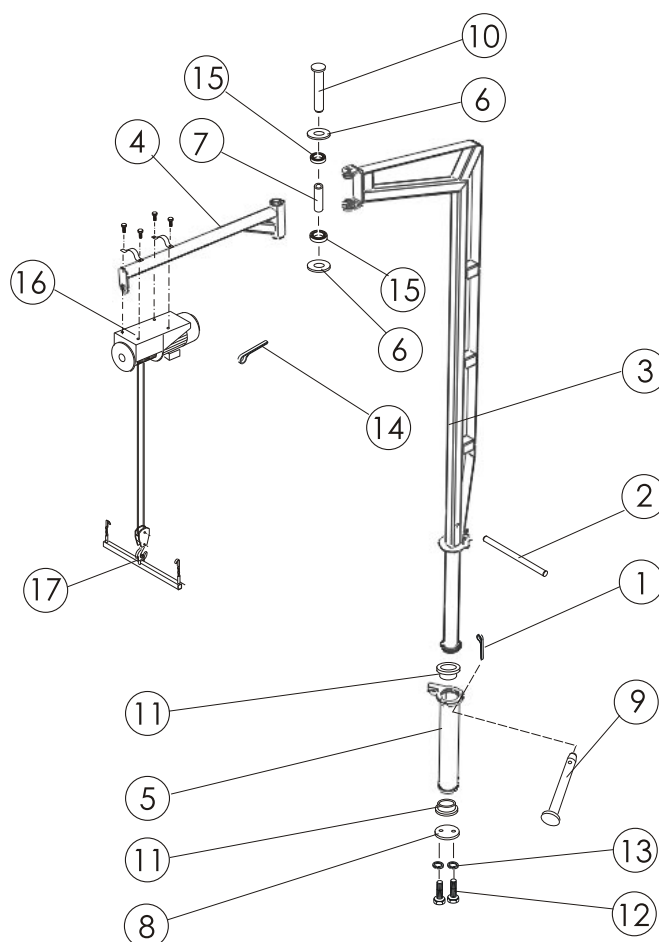
SC2032_40A

NO	QTY	DESCRIPTION	SCANCODE
1	1	Safety pipe complete	PG102828
1.1	1	Safety pipe	PG102821
1.2	1	Hook	PG102827
1.3	1	Screw M12x35-10.9 A4J	89023103
1.4	1	Nut M12-10 A4J	89206601
1.5	2	Washer 13	89102801
1.6	1	Spring washer Z 12,2	89107208
2	1	Safety pipe holder	PG104903

11

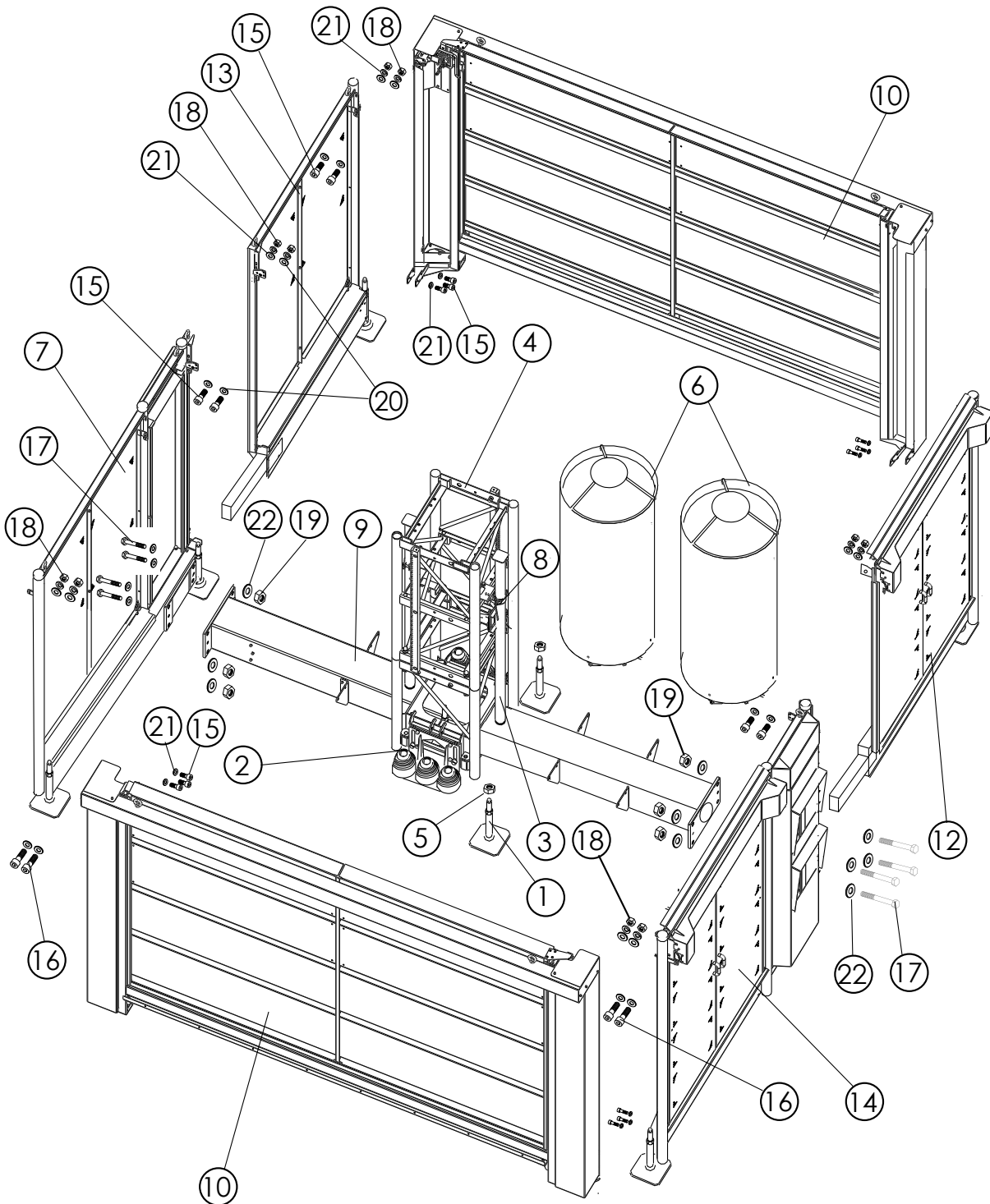
MONTAGE CRANE

PG102879



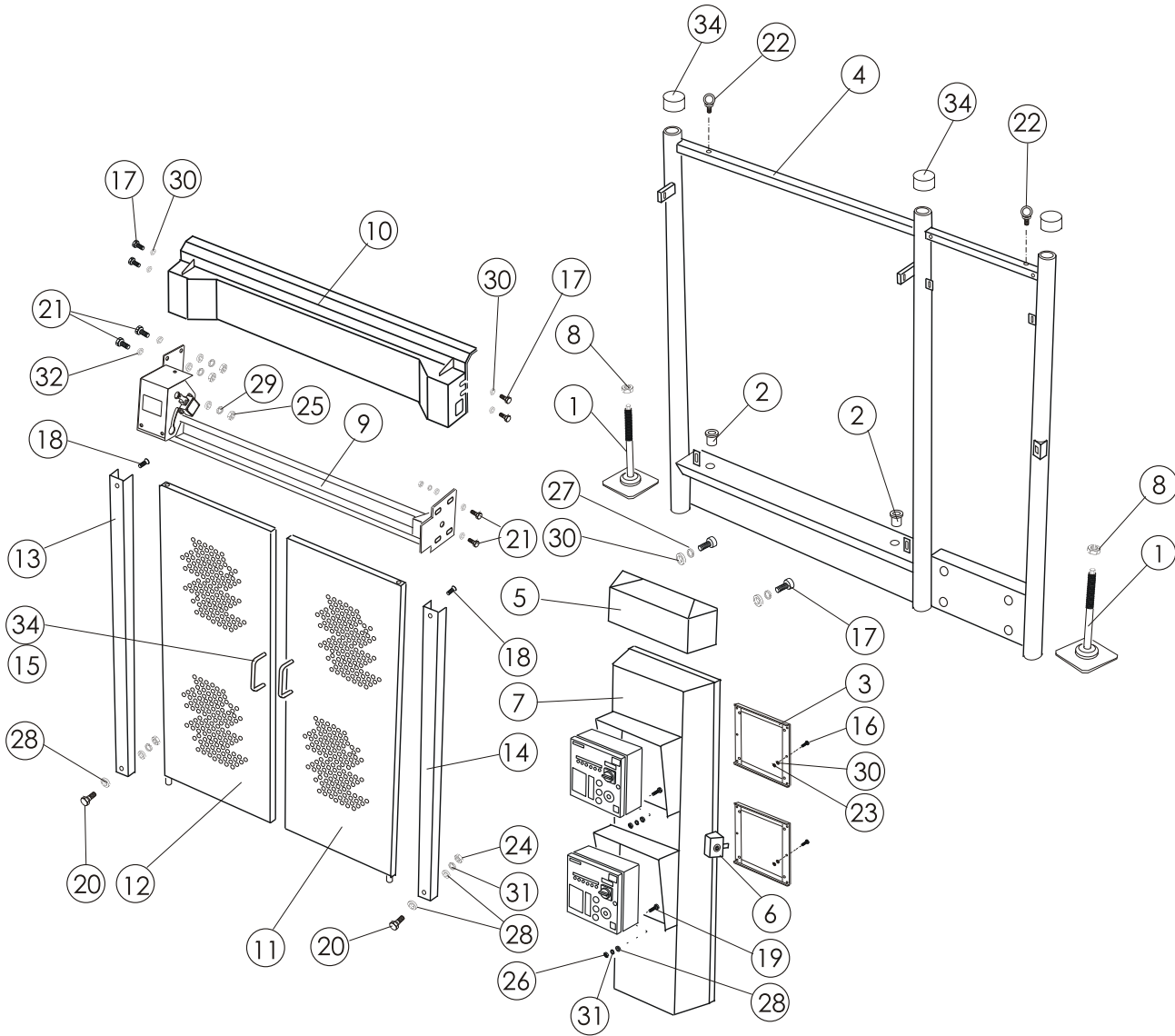
SC2032_41

NO	QTY	DESCRIPTION	SCANCODE
1	1	Locking splint	PG100129
2	1	Turning grip	PG103635
3	1	Vertical tube	PG102526
4	1	Horizontal arm	PG102862
5	1	Bearing pipe	PG103460
6	2	Washer	PG103481
7	1	Sleeve	PG103490
8	1	Disk	PG103493
9	1	Pin	PG103527
10	1	Pin	PG103530
11	2	Sleeve	PG103531
12	2	Screw M8x16 8.8 A4J	89009402
13	2	Spring washer Z 8,2	89107020
14	1	Cotter pin 4x50	89313601
15	2	Bearing 6006 RS 30x55x13	50106310
1-15	1	Crane	PG102527
16	1	Electrical winch WELB 0,5T	50723095
17	1	Lifting sling	PG104806



NO	QTY	DESCRIPTION	SCANCODE
1	2	Ground plate assembly	PG102020
2	2	Buffer assembly	PG102652
3	2	Safety pipe complete	PG102828
4	1	Mast section complete - duet	PG103404
5	2	Nut Tr36	PG103626
6	2	Cable drum complete	PG103689
7	1	Back wall	PG104873
8	2	Safety pipe holder	PG104903
9	1	Base frame	PG106492
10	2	Side door	PG106776
11	2	Distance plate	PG106821
12	1	Front wall -duet	PG106836
13	1	Back wall - duet	PG106848
14	1	Front wall with ZB88	PG106875
15	21	Screw M10x30 8.8 A4J	89017330
16	6	Screw M10x35 8.8 A4J	89018201
17	8	Screw M30x180 8.8 A4J	89038818
18	15	Nut M10-8 A4J	89201200
19	8	Nut M30-8 A4J	89212200
20	15	Washer 10,5	89102301
21	27	Spring washer Z 10,2	89107120
22	16	Washer 31	89105102

12.1 FRONT WALL COMPLETE - DUET ver. with ZB88 PG106875

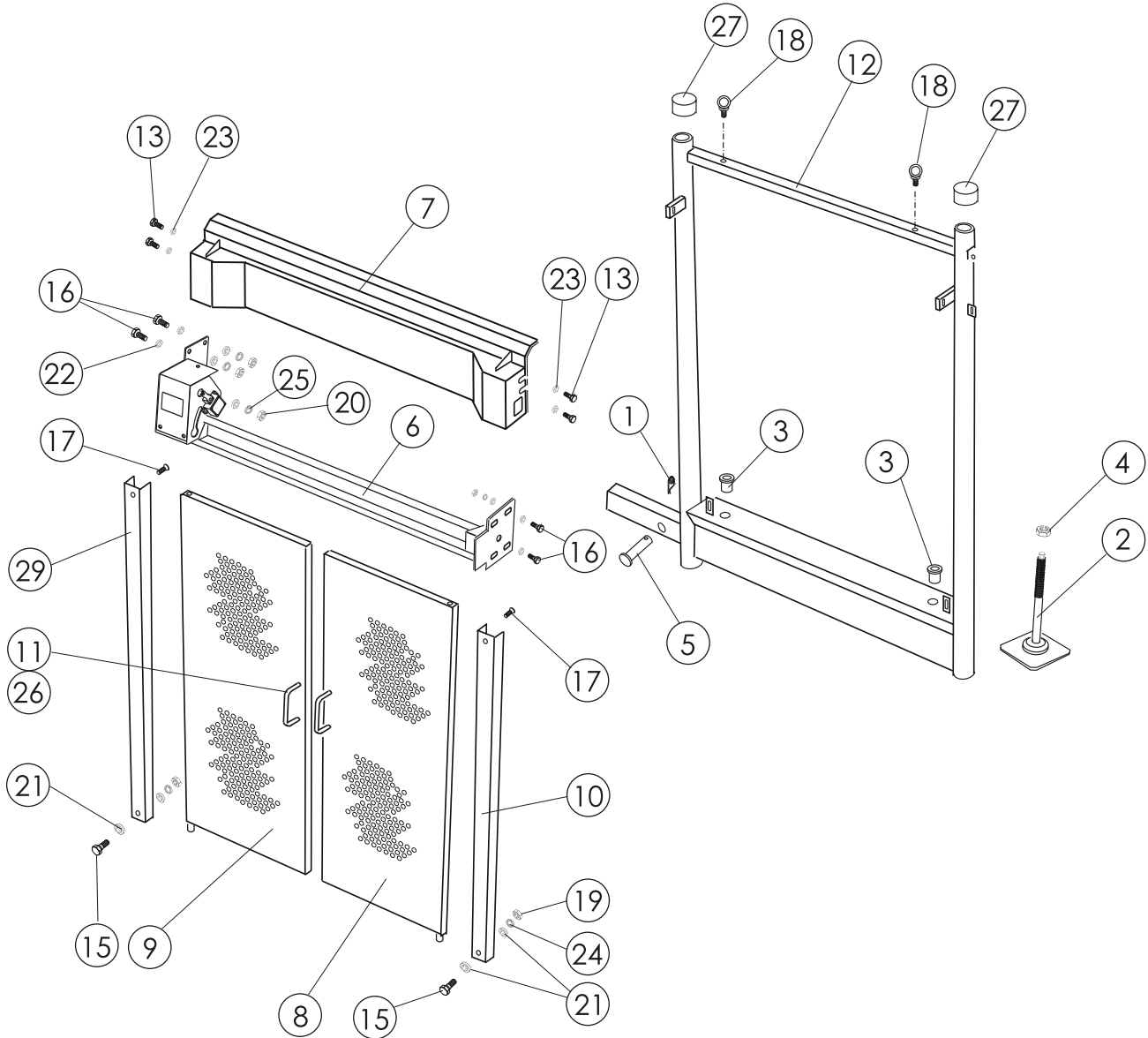


12.1

NO	QTY	DESCRIPTION	SCANCODE
1	2	Ground plate complete	PG102020
2	2	Sleeve	PG102758
3	2	Frame	PG102538
4	1	Front wall frame	PG102654
5	1	Door cover	PG102736
6	1	Lock	PG102927
7	1	El-door OP1	PG106876
8	2	Nut Tr36	PG103626
9	1	Lock ZB-88	PG104120
10	1	Lock cover	PG104129
11	1	Doorhalf-right	PG104818
12	1	Doorhalf-left	PG104819
13	1	Cover left	PG104850
14	1	Cover right	PG104851
15	4	Washer	PG105418
16	12	Screw M6x16 8.8 A4J	89005510
17	7	Screw M6x16 8.8 A4J	89005701
18	2	Screw M8x16 5.8 A4J	89064401
19	12	Screw M8x16 8.8 A4J	89009601
20	2	Screw M8x20 8.8 A4J	89010201
21	6	Screw M10x35 8.8 A4J	89017601
22	2	Eye bolt M16	89000201
23	12	Nut M6-8 A4J	89203400
24	2	Nut M8-8 A4J	89203900
25	6	Nut M10-8 A4J	89204901
26	8	Nut M8-5 A4J	89204501
27	2	Washer 6,4	89101301
28	12	Washer 8,4	89101700
29	12	Washer 10,5	89102301
30	20	Spring washer Z 6,1	89106920
31	14	Spring washer Z 8,2	89107020
32	6	Spring washer Z10,2	89107120
33	3	Stopper DN65	63600620
34	2	Hand grip GN565-26-128	51145100

12.2

FRONT WALL COMPLETE 2 -DUET ver. with ZB88 PG106836

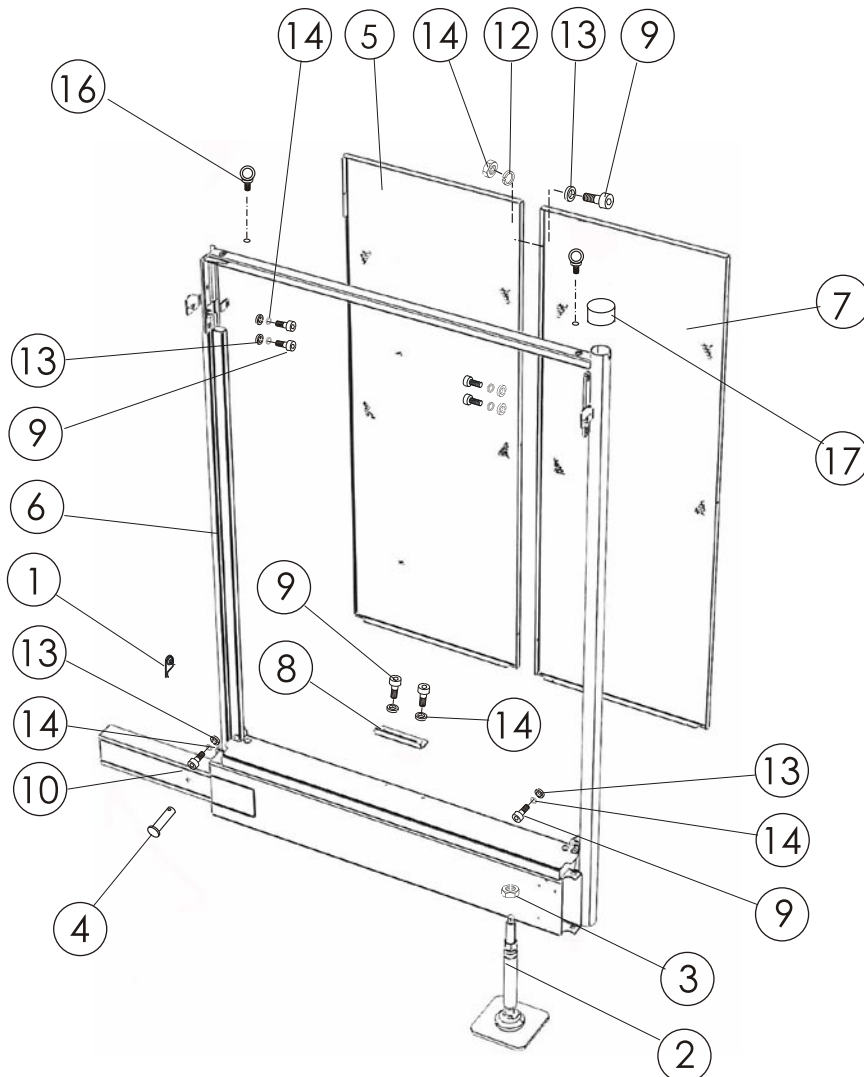


NO	QTY	DESCRIPTION	SCANCODE
1	1	Locking splint	PG100168
2	1	Ground plate complete	PG102020
3	2	Sleeve	PG102758
4	1	Nut Tr36	PG103626
5	1	Pin	PG103633
6	1	Lock ZB-88	PG104120
7	1	Lock cover	PG104129
8	1	Doorhalf-right	PG104818
9	1	Doorhalf-left	PG104819
10	1	Cover right	PG104851
11	4	Washer	PG105418
12	1	Front wall frame	PG106798
13	5	Screw M6x16 8.8 A4J	89005701
14	4	Screw M8x16 8.8 A4J	89009601
15	1	Screw M8x20 8.8 A4J	89009902
16	6	Screw M10x35 8.8 A4J	89017601
17	1	Screw M8x16 5.8 A4J	89064401
18	2	Eye bolt M16	89000201
19	1	Nut M8-8 A4J	89200801
20	6	Nut M10-8 A4J	89204901
21	2	Washer 8,4	89101700
22	12	Washer 10,5	89102301
23	5	Spring washer Z 6,1	89106920
24	4	Spring washer Z 8,2	89107020
25	6	Spring washer Z10,2	89107120
26	2	Hand grip GN565-26-128	51145100
27	1	Stopper DN65	63600620
28	1	Cover left	PG104850

12.3

BACK WALL - DUET

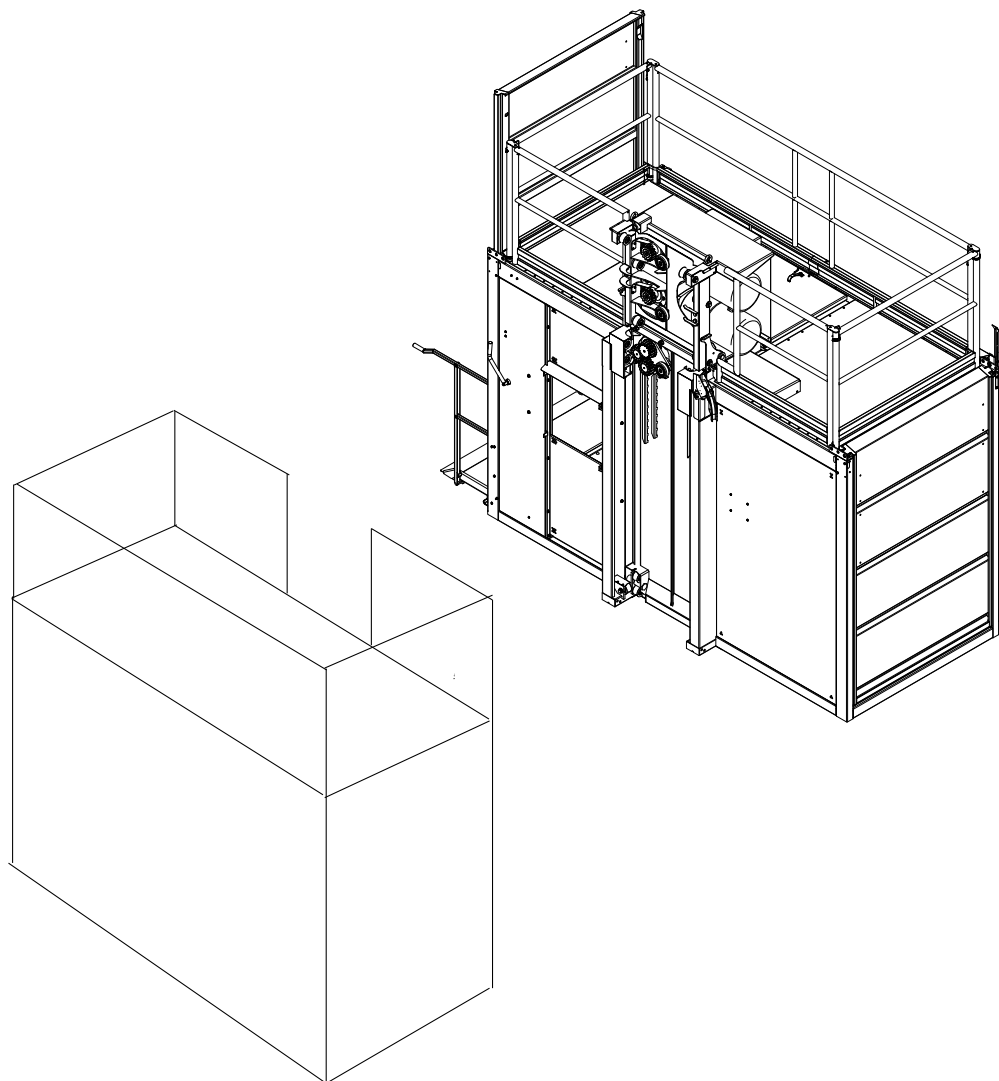
PG106848



NO	QTY	DESCRIPTION	SCANCODE
1	1	Locking splint	PG100168
2	1	Ground plate complete	PG102020
3	1	Nut Tr36	PG103626
4	1	Pin	PG103633
5	1	Back panel left	PG104882
6	1	Back wall frame	PG106811
7	1	Spec. back panel left	PG106847
8	1	Angle	PG107571
9	10	Screw M8x20 8.8 A4J	89010201
10	1	Screw M8x50 8.8 A4J	89013503
11	2	Eye bolt M16	89000201
12	3	Nut M8-8 A4J	89200801
13	9	Washer 8,4	89101700
14	11	Spring washer Z 8,2	89107020
15	2	Stopper A=50	63600680
16	1	Pipe stopper DN65	63600620

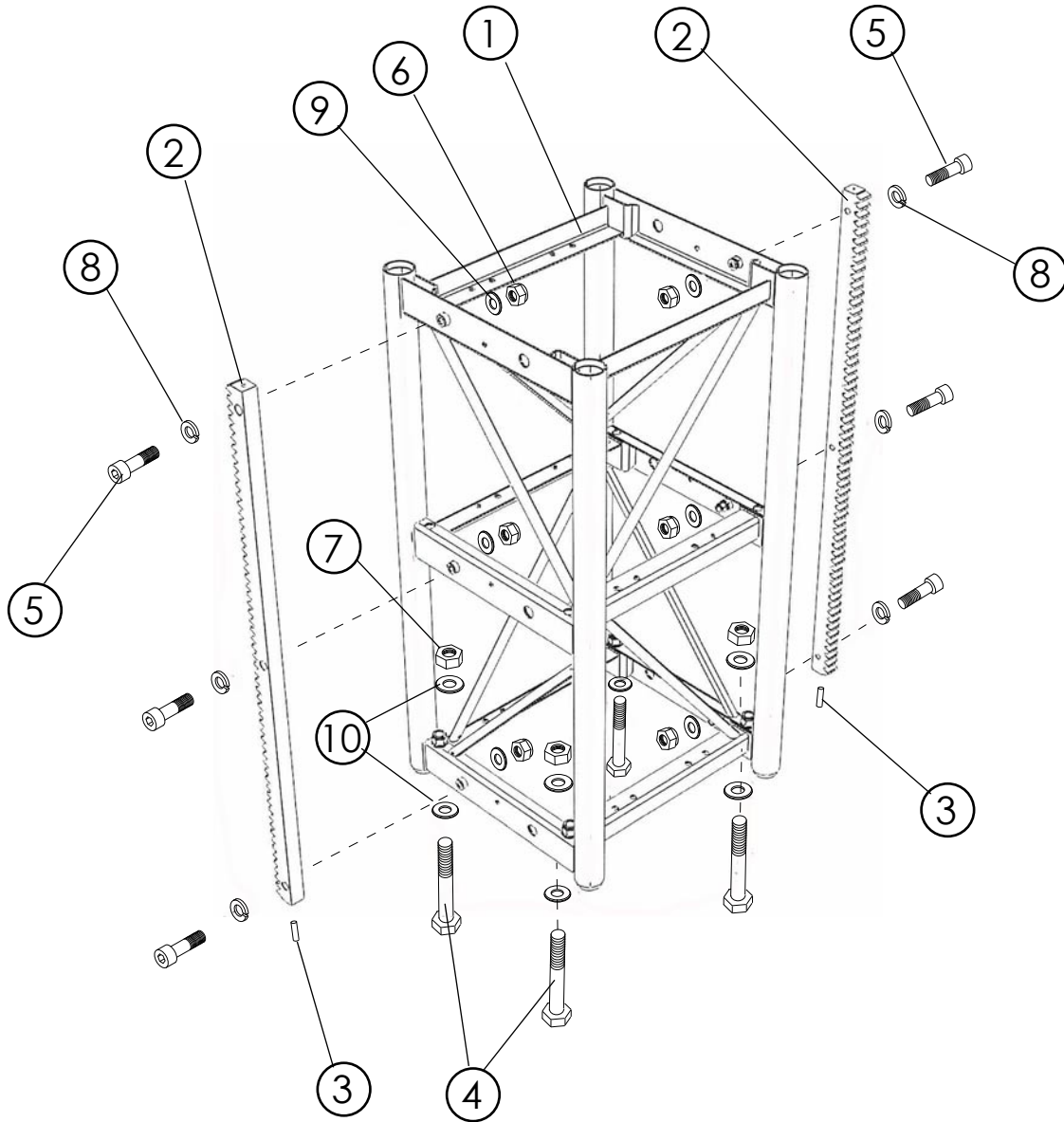
12.4

CAGE COMPLETE LEFT - DUET SC1837FL PG107512



12.5

MAST SECTION COMPLETE DUET ver. Fin PG103404

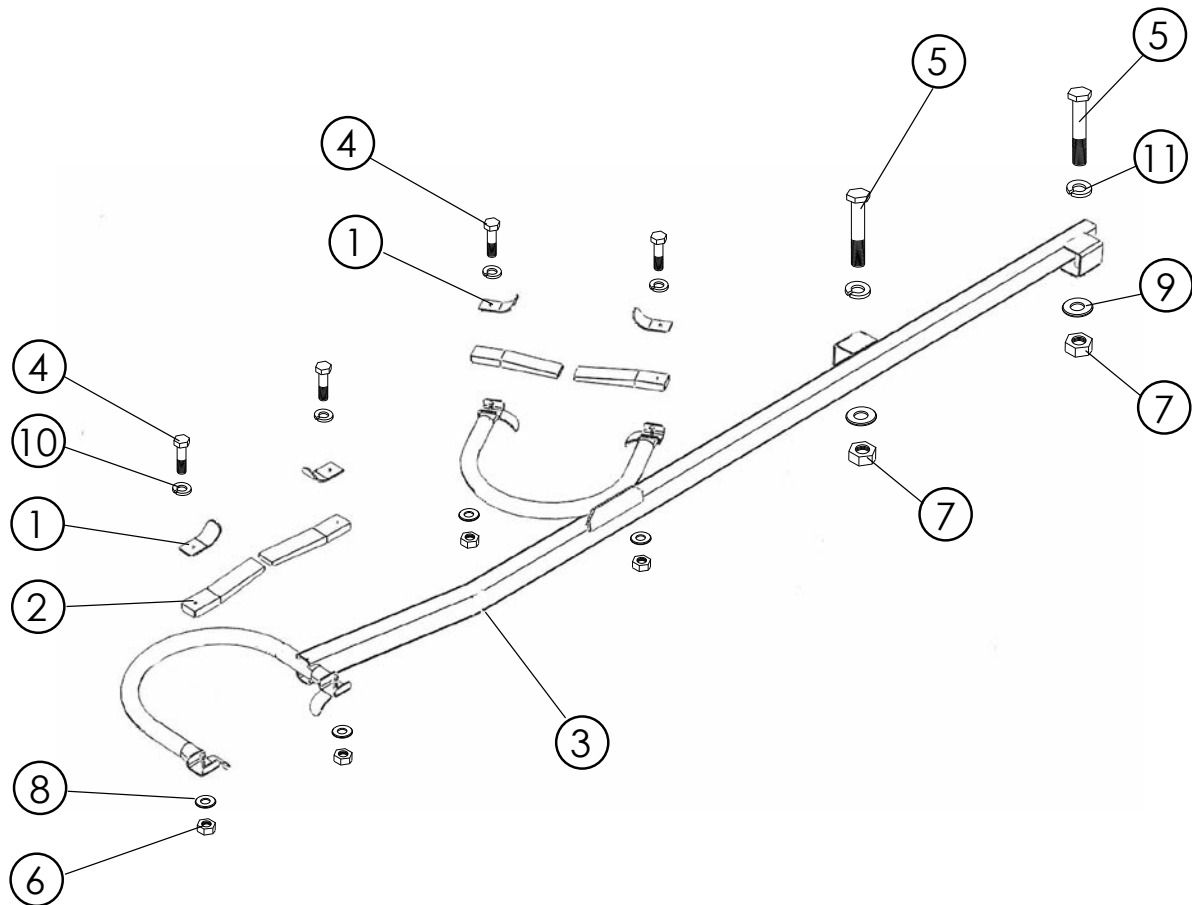


NO	QTY	DESCRIPTION	SCANCODE
1	1	Mast section	PG101900(2)
2	2	Rack	PG101977
3	2	Pin	PG100795
4	4	Screw M24x260-10.9 A4J	89038810
5	6	Screw M16x80-12.9 A4J	89032010
6	6	Nut M16-10 A4J	89201602
7	4	Nut M24-8A A4J	89201611
8	6	Spring washer Z16,3	89107212
9	6	Washer 17	89103601
10	8	Washer 25 HV	89104701

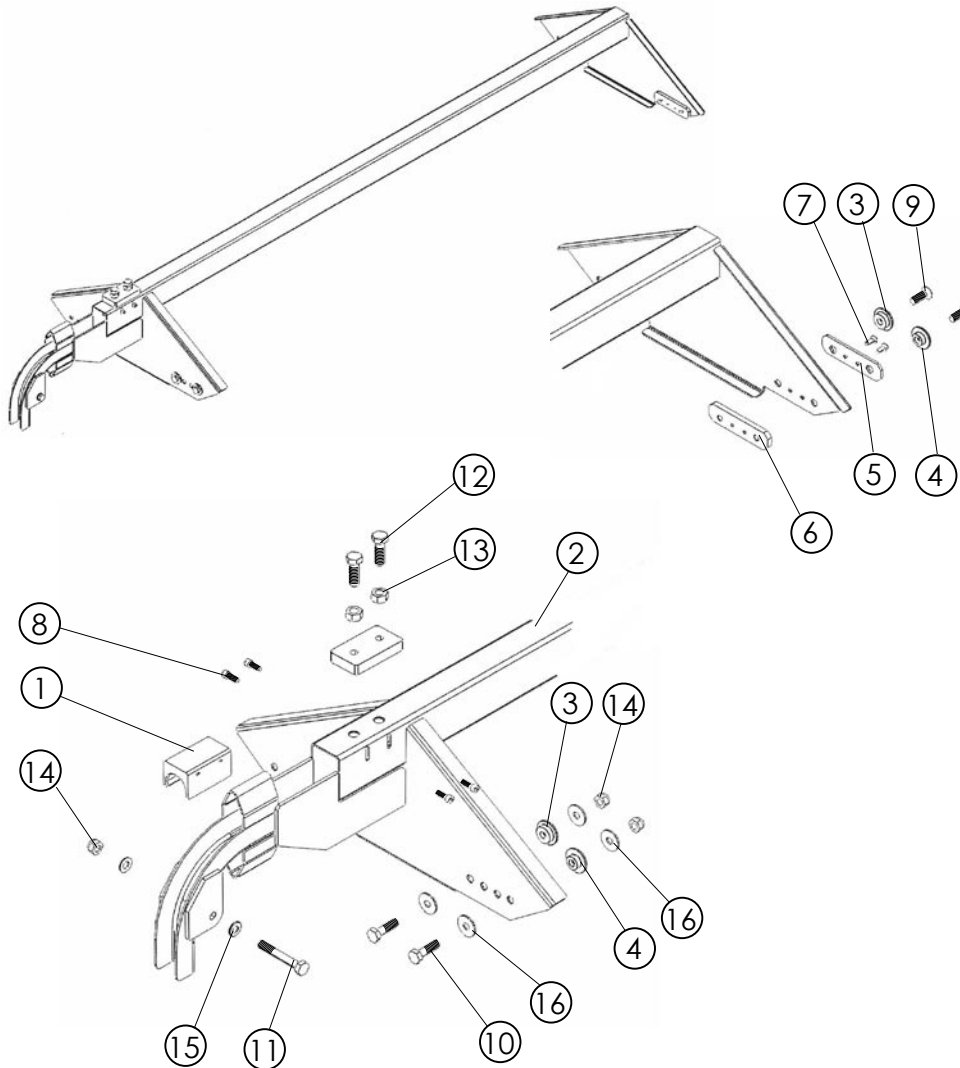
12.6

CABLE GUIDE - DUET

PG107506



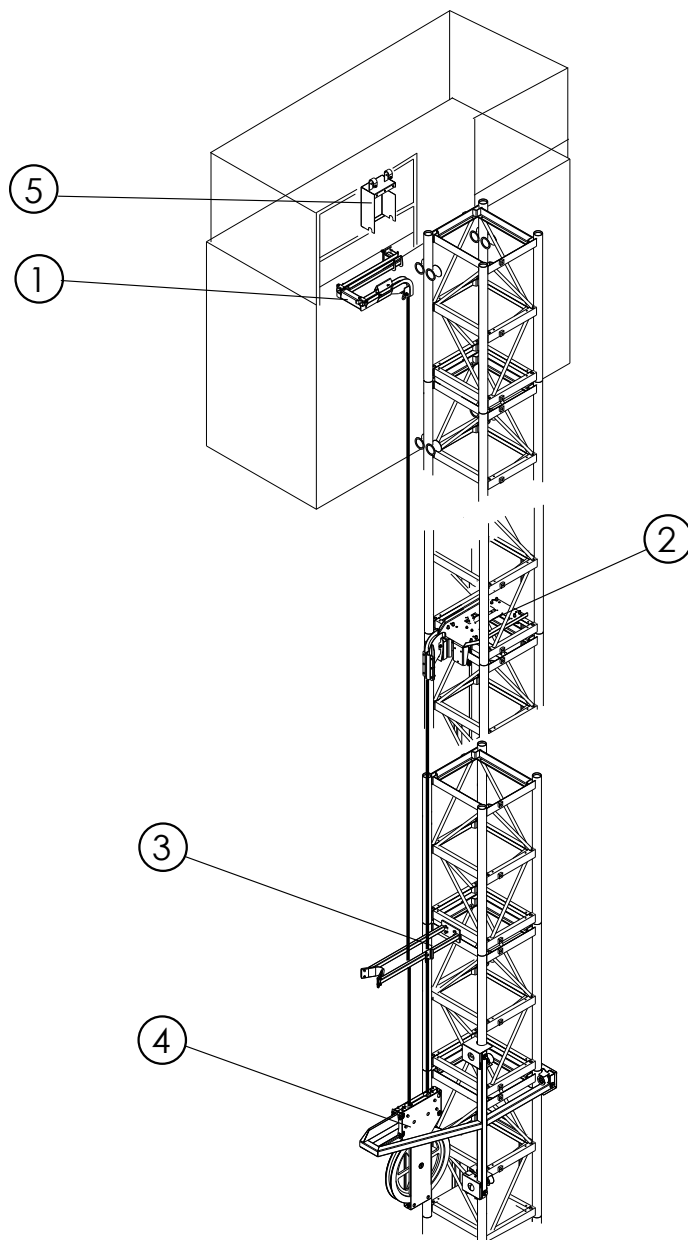
NO	QTY	DESCRIPTION	SCANCODE
1	4	Plate	PG102557
2	4	Elastic band	PG102558
3	1	Cable guide bracket	PG107477
4	4	Screw M5x30 8.8 A4J	89003202
5	2	Screw M16x80 8.8 A4J	89031802
6	4	Nut M5-5B A4J	89200201
7	2	Nut M16-8B A4J	89201601
8	4	Washer 5,3	89100901
9	2	Washer 17	89103501
10	4	Spring washer Z 5,1	89105801
11	2	Spring washer Z 16,3	89107212



NO	QTY	DESCRIPTION	SCANCODE
1	1	Pressure plate	PG103916
2	1	Cable holder bracket	PG107435
3	2	Sleeve I	PG107438
4	2	Sleeve II	PG107439
5	1	Distance plate	PG107465
6	1	Fastening plate	PG107468
7	2	Screw M6x16 8.8 A4J	89005510
8	4	Screw M6x18 8.8 A4J	89006001
9	2	Screw M10x30 10.9 A4J	89017508
10	2	Screw M10x35 8.8 A4J	89017601
11	1	Screw M10x70 8.8 A4J	89020301
12	2	Screw M12x35 8.8 A4J	89023102
13	2	Nut M12 8 A4J	89206800
14	3	Nut M10 8 A4J	89201200
15	2	Washer 10,5	89102301
16	4	Washer 10,5	89102500

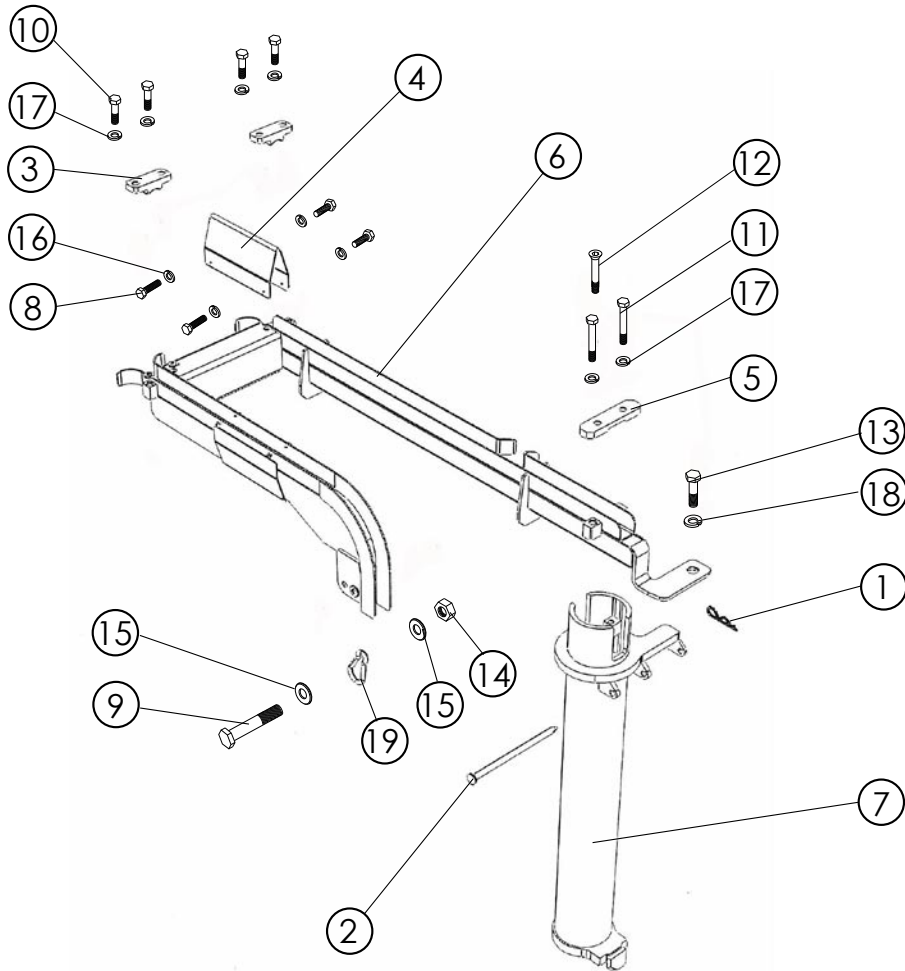
13

CABLE TROLLEY SYSTEM option -for cable Ø28



NO	QTY	DESCRIPTION	SCANCODE
1	1	Cable holder compl	PG108829
2	1	Cable holder compl.-mast	PG108346
3	n	Cable guide	PG106868
4	1	Cable trolley	PG108760
5	1	Cover	PG107805

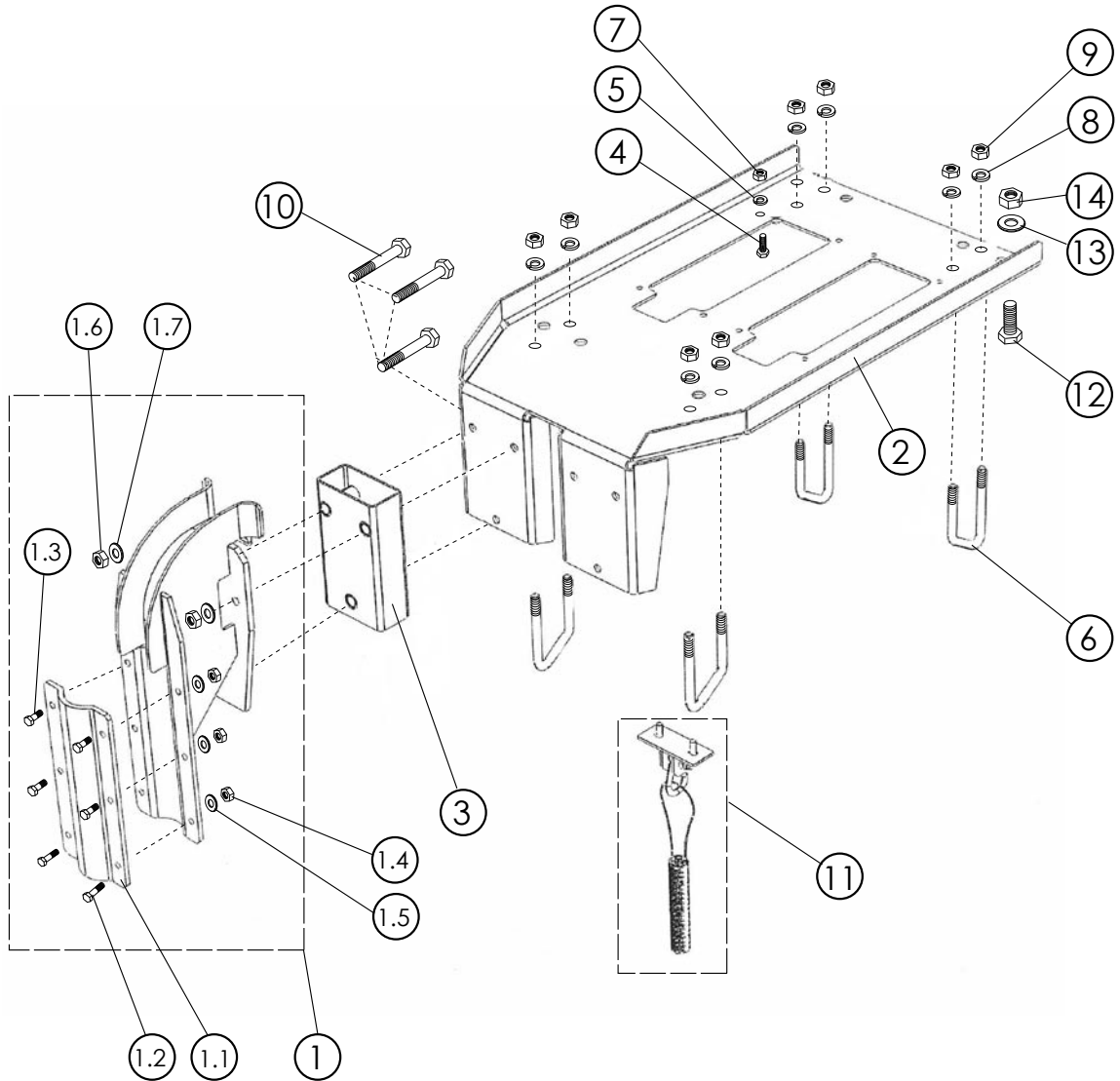
13.1 CABLE HOLDER COMPL. for cable Ø28 PG108829



NO	QTY	DESCRIPTION	SCANCODE
1	1	Locking splint	PG103443
2	1	Pin	PG103527
3	2	Pressure plate	PG108780
4	1	Plate	PG108781
5	1	Plate	PG108825
6	1	Cable holder	PG108826
7	1	Pipe	PG108828
8	4	Screw M5x8 8.8 A4J	89001510
9	1	Screw M10x45 8.8 A4J	89018803
10	4	Screw M10x45 8.8 A4J	89019001
11	1	Screw M10x70 8.8 A4J	89020501
12	1	Screw M10x70 8.8 DIN7991	89020505
13	1	Screw M16x40 8.8 A4J	89029001
14	1	Nut M10 8B A4J	89201200
15	2	Washer 10,5	89102301
16	4	Spring washer Z 5,1	89105801
17	6	Spring washer Z 10,2	89107120
18	1	Washer 17HV	89103601
19	1	Spring hook 80x8	51154900

13.2

CABLE HOLDER COMPL. - MAST PG108346

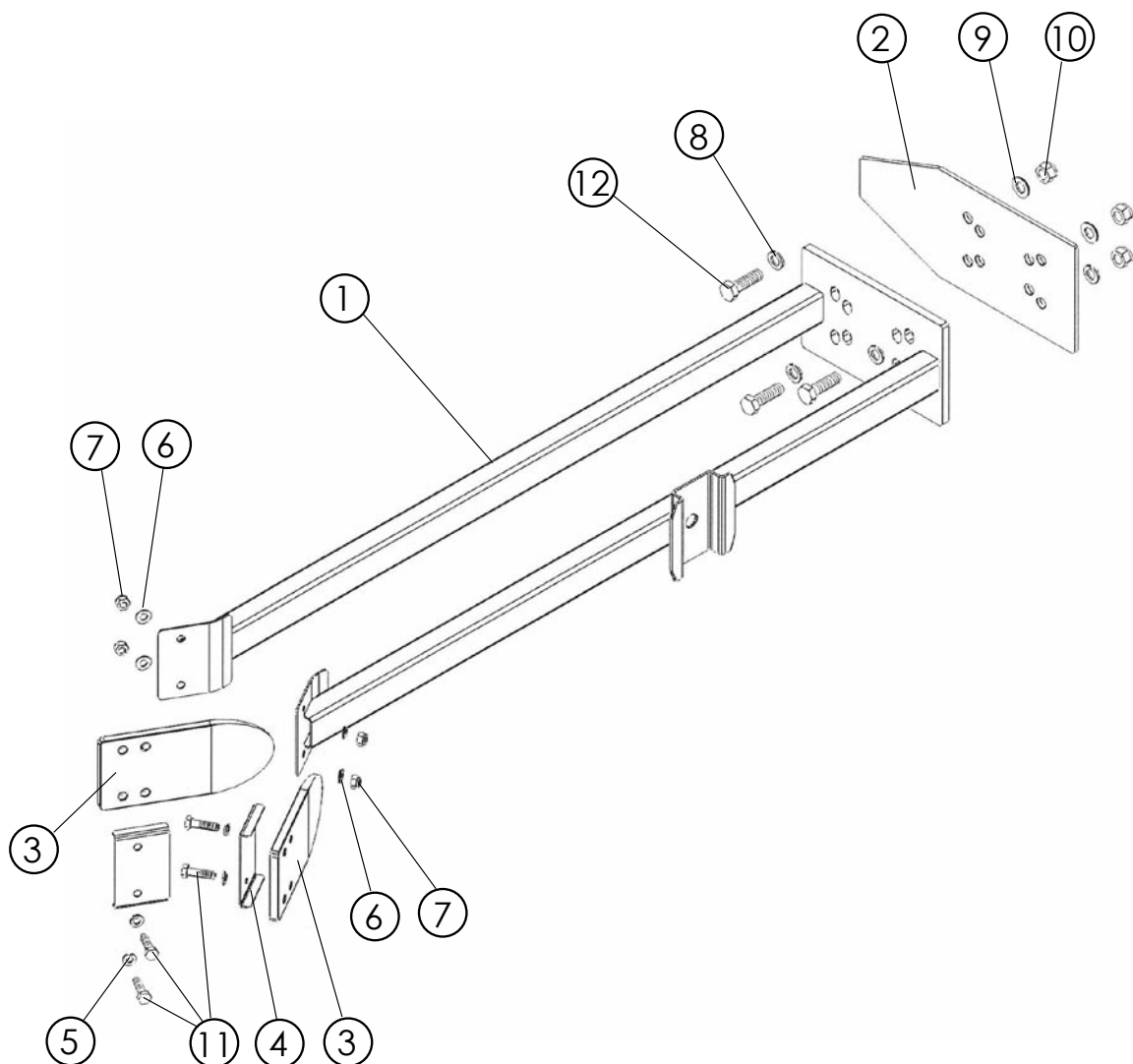


13.2

NO	QTY	DESCRIPTION	SCANCODE
1	1	Cable holder	PG101639
1.1	1	Plate	PG101646
1.2	2	Screw M8x40 8.8 A4J	89012201
1.3	4	Screw M8x25 8.8 A4J	89010702
1.4	6	Self locking nut M8-8B A4J	89200801
1.5	6	Washer 8,4	89101700
1.6	3	Self locking nut M10-8B A4J	89201200
1.7	3	Washer 10,5	89102301
2	1	Plate	PG106880
3	1	Console	PG108361
4	8	Screw M8x20 8.8 A4J	89009902
5	8	Washer 8,4	89101700
6	4	Coupler	PG104433
7	8	Nut M8 8B A4J	89200801
8	8	Spring washer Z 12,2	89107208
9	4	Nut M12 8 A4J	89206800
10	3	Screw M10x80 8.8 A4J	89021005
11	1	Clamp compl.	PG108728
12	8	Screw M16x40 8.8 A4J	89029001
13	8	Washer 17 HV	89103601
14	8	Nut M16 8B A4J	89201601

13.3

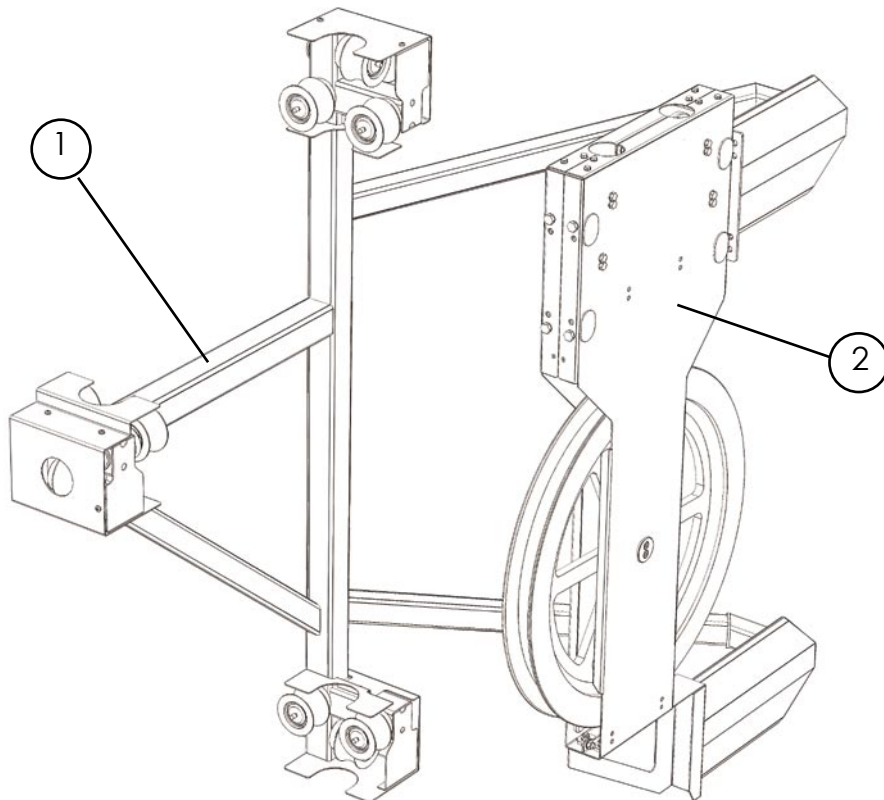
CABLE GUIDE PG106868



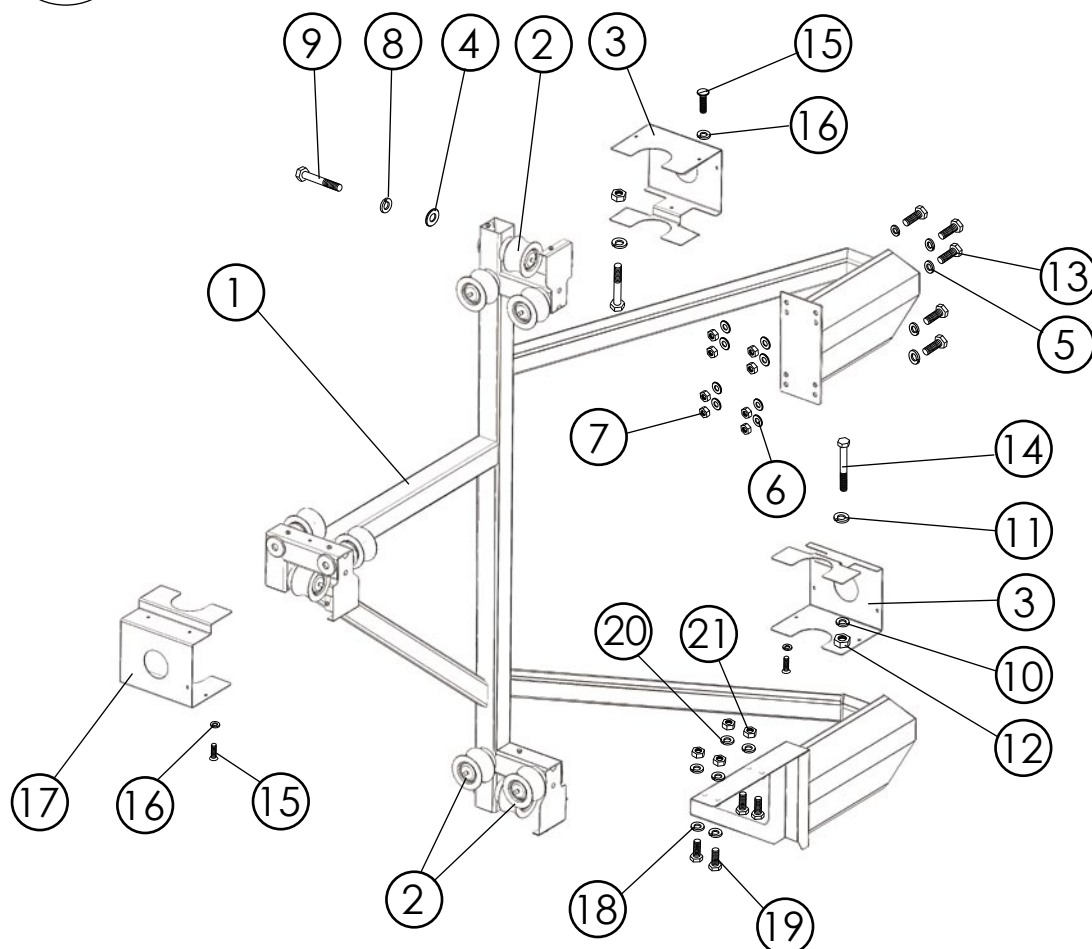
NO	QTY	DESCRIPTION	SCANCODE
1	1	Cable guide bracket	PG106870
2	1	Plate	PG106867
3	2	Elastic band	PG106869
4	2	U-iron	PG106871
5	4	Spring washer Z 8,2	89107020
6	4	Washer 8,4	89101710
7	4	Nut M8 8B A4J	89200801
8	4	Spring washer Z 12,2	89107208
9	4	Washer 13	89102801
10	4	Nut M12 8B A4J	89201400
11	4	Screw M8x30 8.8 A4J	89011902
12	4	Screw M12x40 8.8 A4J	89023401

13.4

CABLE TROLLEY for cable Ø28 PG11118



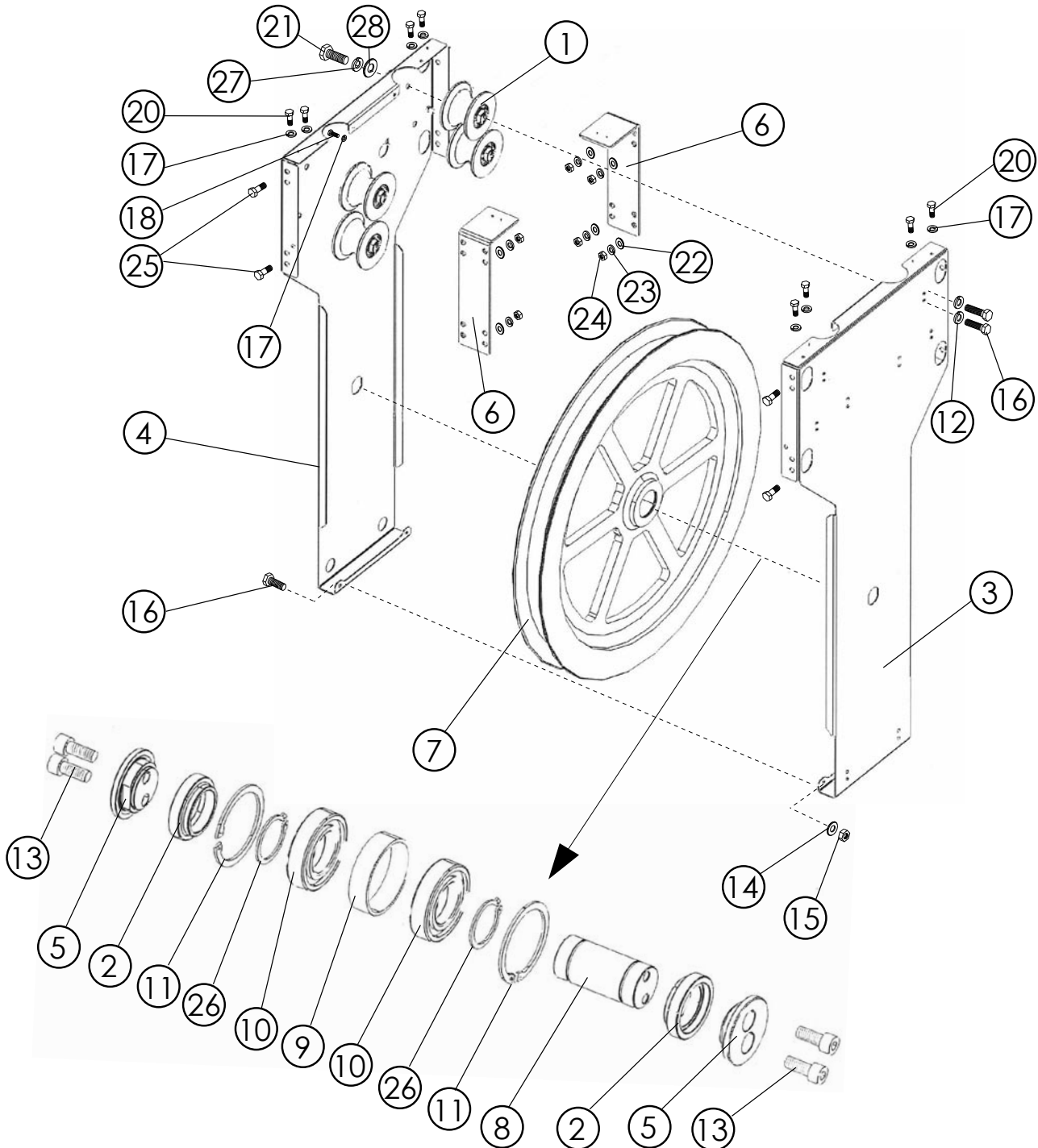
NO	QTY	DESCRIPTION	SCANCODE
1	1	Frame trolley compl.	PG111057
2	1	Cable wheel compl.	PG109339



NO	QTY	DESCRIPTION	SCANCODE
1	1	Frame trolley	PG111039
2	9	Roller compl	PG100742
3	2	Cover	PG108331
4	9	Washer	PG101334
5	8	Spring washer Z 10,2	89107120
6	8	Washer 10,5	89102303
7	8	Nut M10 8B A4J	89201200
8	9	Spring washer Z 16,3	89107212
9	9	Screw M16x110 8.8 A4J	89033201
10	3	Washer 6,4	89101301
11	2	Spring washer Z 6,1	89106920
12	2	Nut M6-05 A4J	89203601
13	8	Screw M10x35 8.8 A4J	89018201
14	2	Screw M6x75 8.8 A4J	89008201
15	10	Screw M5x12 8.8 A4J	89001721
16	10	Washer 5,3	89106901
17	1	Cover 2	PG111059
18	4	Washer 8,4	89101700
19	4	Screw M8x25 8.8 A4J	89011401
20	4	Spring washer Z 8,2	89107020
21	4	Nut M8 8B A4J	89200801

13.42

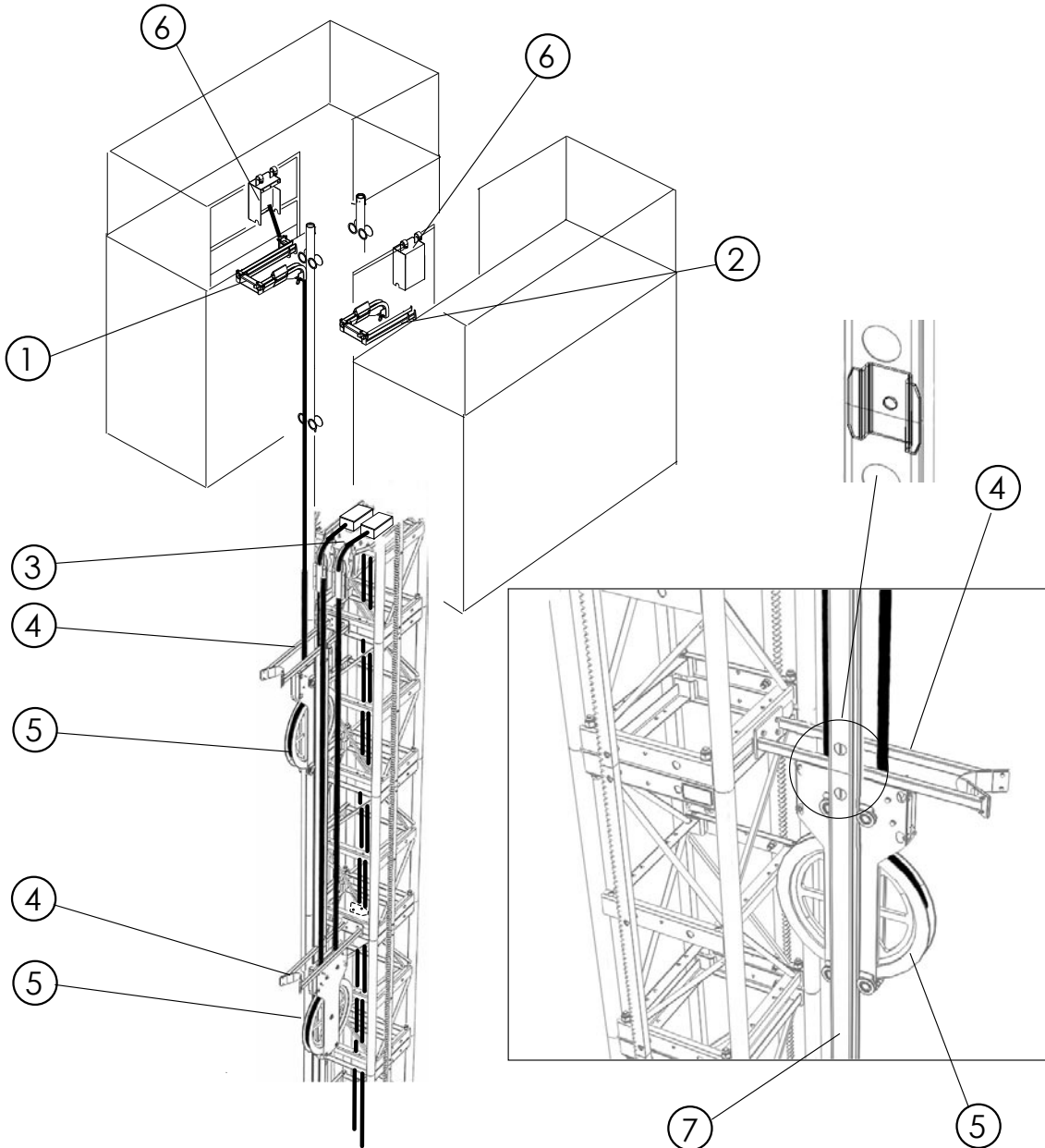
CABLE WHEEL COMPL. for cable Ø28 PG109339



NO	QTY	DESCRIPTION	SCANCODE
1	4	Roller compl.	PG108745
2	2	Distance sleeve	PG106812
3	1	Plate 1	PG109332
4	1	Plate 2	PG109320
5	2	Washer	PG106824
6	2	Angle	PG109331
7	1	Cable wheel	PG108742
8	1	Shaft	PG106804
9	1	Ring	PG101097
10	2	Baal bearing 6006 2RS	50106310
11	2	Seal ring W55	51428000
12	15	Spring washer Z 8,2	89107020
13	1	Screw M8x20 8.8 A4J	89010201
14	2	Washer 8,4	89101700
15	2	Nut M8-8B A4J	89200801
16	10	Screw M8x20 8.8 A4J	89009902
17	14	Spring washer Z 6,1	89106920
18	2	Screw M6x16 8.8 A4J	89005501
19	4	Screw M4x10 8.8 A4J	89000510
20	8	Screw M6x12 8.8 A4J	89005110
21	4	Screw M12x35 10.5 A4J	89023103
22	4	Washer 10,5	89102301
23	4	Spring washer Z 10,2	89107120
24	4	Nut M10-8B A4J	89201200
25	4	Screw M10x25 8.8 A4J	89017001
26	2	Seal ring Z30	51416000
27	4	Spring washer Z12,2	89107208
28	4	Washer 13	89102801

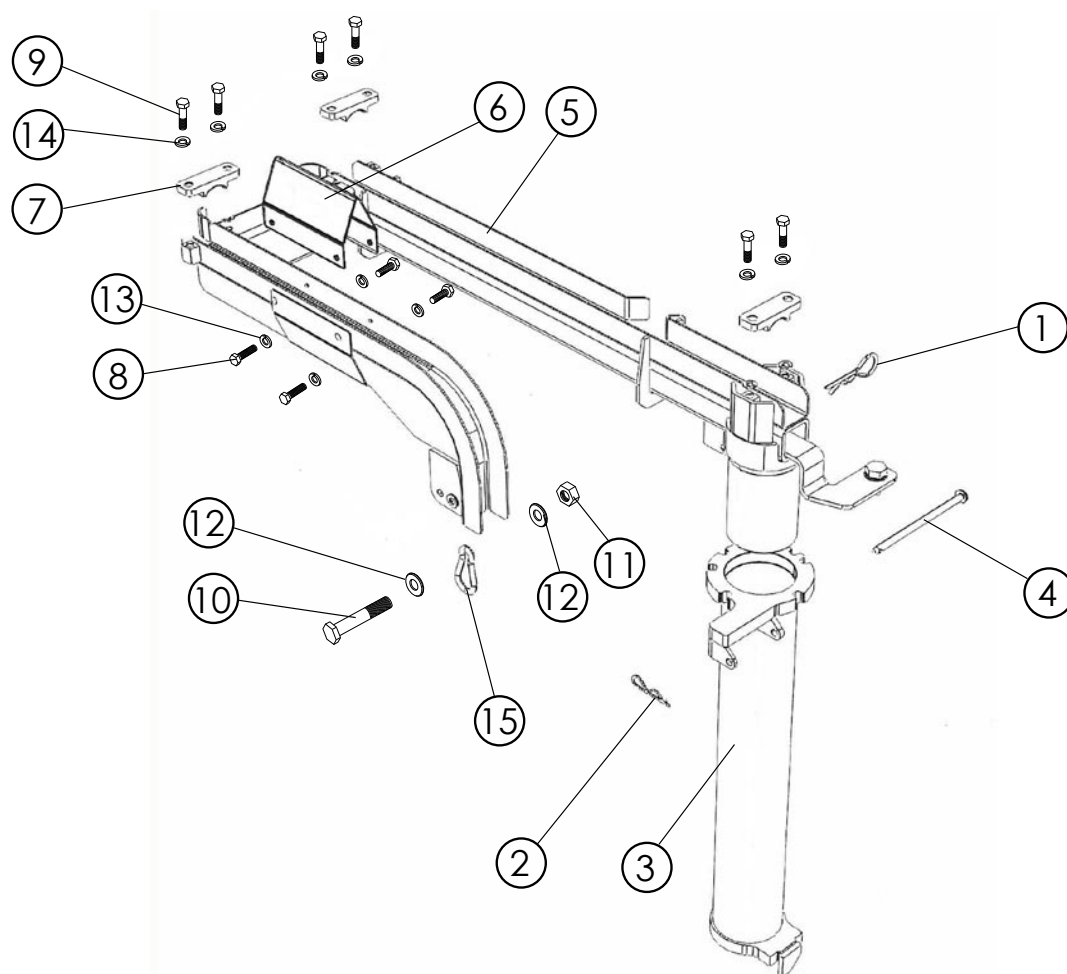
14

CABLE TROLLEY SYSTEM -OPTION DUET for cable Ø42



NO	QTY	DESCRIPTION	SCANCODE
1	1	Cable holder I compl	PG108214
2	1	Cable holder II compl	PG108201
3	1	Cable holder compl.-mast	PG108346
4	n	Cable guide	PG106868
5	1	Cable wheel compl.	PG106749
6	1	Cover	PG107805
7	n	Guide rail	PG106527

14.1 CABLE HOLDER I COMPL. for cable Ø42 PG108214

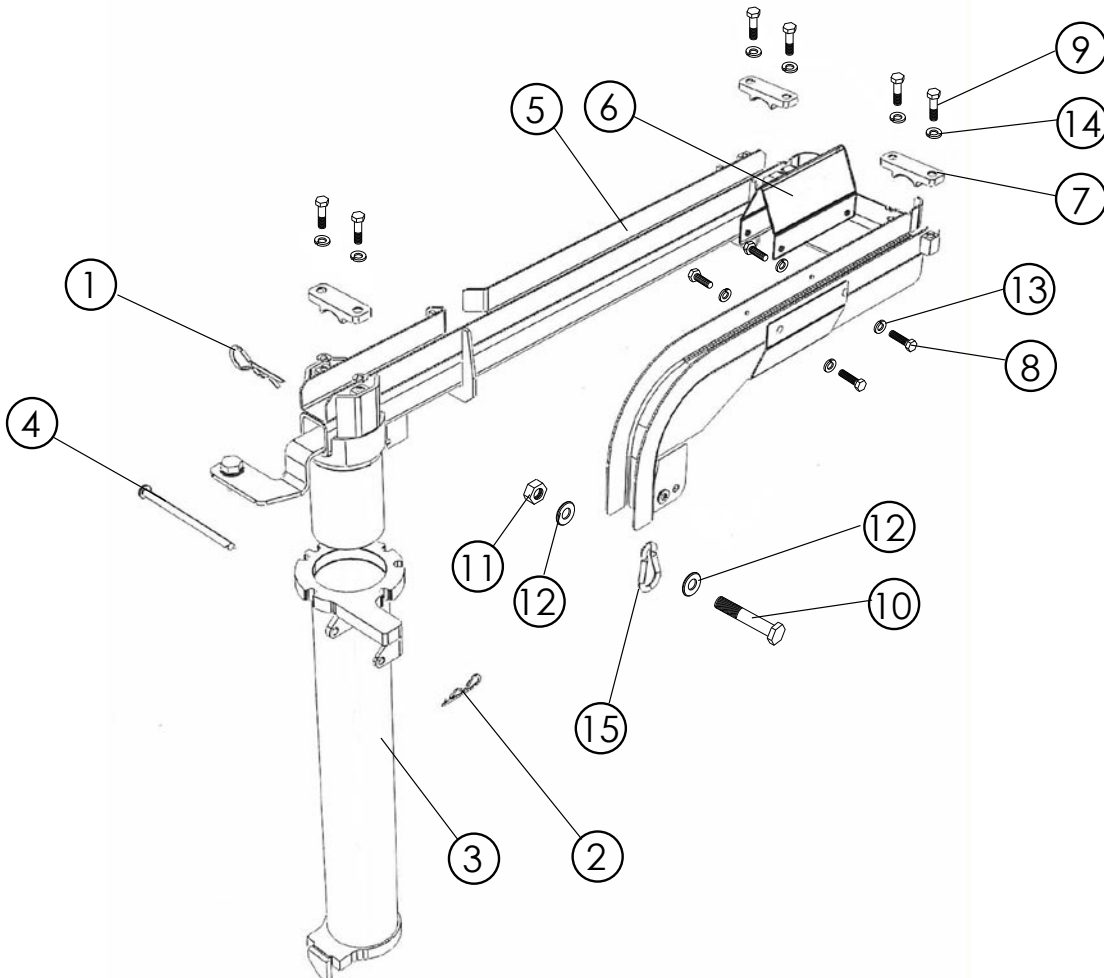


NO	QTY	DESCRIPTION	SCANCODE
1	1	Locking splint	PG100168
2	1	Locking splint	PG104571
3	1	Pipe	PG103460
4	1	Pin	PG103527
5	1	Cable holder I	PG108211
6	1	Plate	PG108212
7	3	Pressure plate	PG108213
8	4	Screw M6x10 8.8 A4J	89004901
9	6	Screw M10x35 8.8 A4J	89017601
10	1	Screw M10x80 8.8 A4J	89021005
11	1	Nut M10 8B A4J	89201200
12	2	Washer 10,5	89102301
13	4	Spring washer Z 6,1	89106920
14	6	Spring washer Z 10,2	89107120
15	1	Spring hook 80x8	51154900

14.2

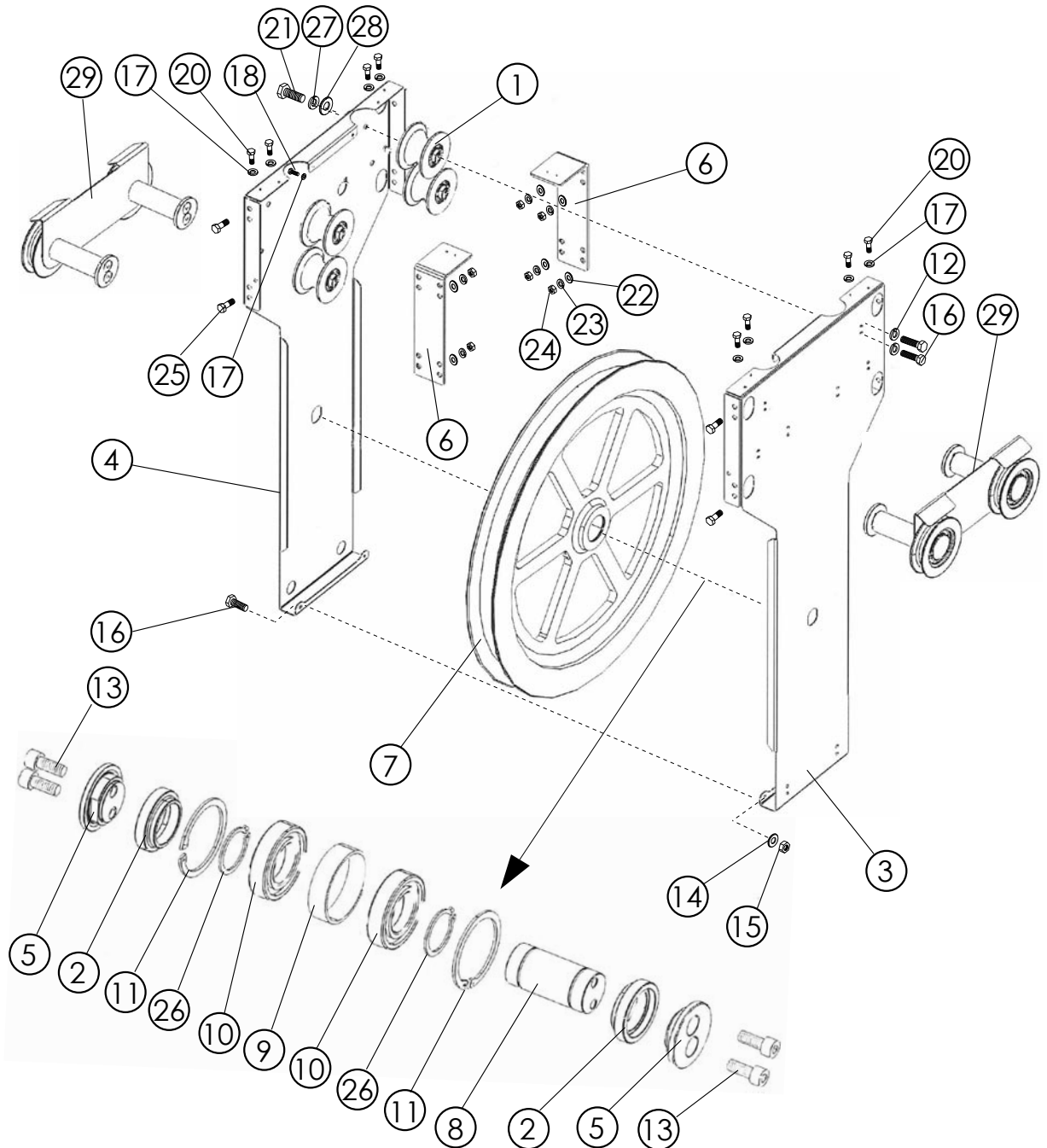
CABLE HOLDER II COMPL. for cable Ø42

PG108201



NO	QTY	DESCRIPTION	SCANCODE
1	1	Locking splint	PG100168
2	1	Locking splint	PG104571
3	1	Pipe	PG103460
4	1	Pin	PG103527
5	1	Cable holder II	PG108210
6	1	Plate	PG108212
7	3	Pressure plate	PG108213
8	4	Screw M6x10 8.8 A4J	89004901
9	6	Screw M10x35 8.8 A4J	89017601
10	1	Screw M10x80 8.8 A4J	89021005
11	1	Nut M10 8B A4J	89201200
12	2	Washer 10,5	89102301
13	4	Spring washer Z 6,1	89106920
14	6	Spring washer Z 10,2	89107120
15	1	Spring hook 80x8	51154900

14.3 CABLE WHEEL COMPL. for cable Ø42 PG106749



NO	QTY	DESCRIPTION	SCANCODE
1	4	Roller compl.	PG106829
2	2	Distance sleeve	PG106812
3	1	Plate 1	PG106813
4	1	Plate 2	PG106818
5	2	Washer	PG106824
6	2	Angle	PG106830
7	1	Cable wheel	PG101005
8	1	Shaft	PG106804
9	1	Ring	PG101097
10	2	Baal bearing 6006 2RS	50106310
11	2	Seal ring W55	51428000
12	15	Spring washer Z 8,2	89107020
13	1	Screw M8x20 8.8 A4J	89010201
14	2	Washer 8,4	89101700
15	2	Nut M8-8B A4J	89200801
16	10	Screw M8x20 8.8 A4J	89009902
17	14	Spring washer Z 6,1	89106920
18	2	Screw M6x16 8.8 A4J	89005501
19	4	Screw M4x10 8.8 A4J	89000510
20	8	Screw M6x12 8.8 A4J	89005110
21	4	Screw M12x35 10.5 A4J	89023103
22	4	Washer 10,5	89102301
23	4	Spring washer Z 10,2	89107120
24	4	Nut M10-8B A4J	89201200
25	4	Screw M10x25 8.8 A4J	89017001
26	2	Seal ring Z30	51416000
27	4	Spring washer Z12,2	89107208
28	4	Washer 13	89102801
29	2	Roller assembly	PG106841