

SCANCLIMBER®

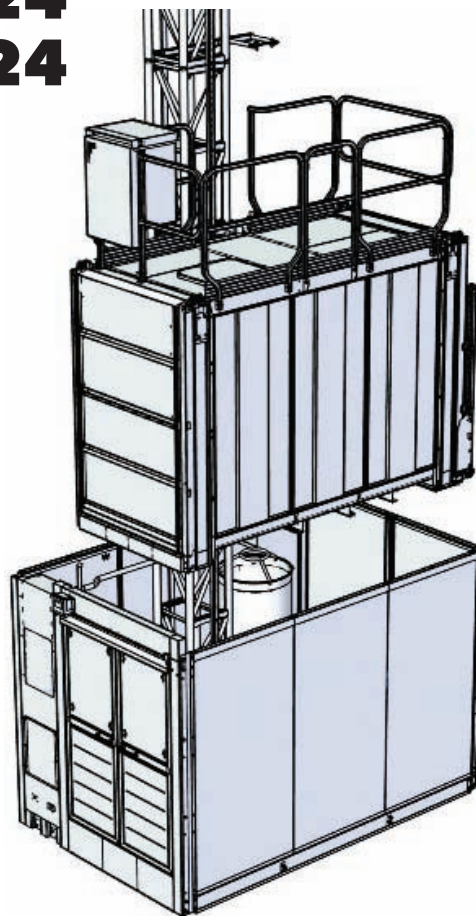
SC Builders Hoist

SC1732 / 1724

SC1432 / 1424

SC1132 / 1124

SC0832 / 0824



SPARE PARTS CATALOGUE

SERIAL NO: _____

OY SCANINTER NOKIA LTD

• Turkkirata 26 • FI-33960 PIRKKALA, FINLAND •
• TEL. +358 106 807 000 • FAX. +358 106 807 033 •

Vc70E_03.08

SPARE PARTS LIST

NO	DESCRIPTION	SCANCODE
1	Lower station - ver.standard SCXX32	PG119766
	Lower station - ver.standard SCXX24	PG117861
1.1	Front wall	PG115655
1.2	Back wall	PG115037
1.3	Side wall I SCXX32	PG115046
	Side wall I SCXX24	PG117906
1.4	Side wall II SCXX32	PG115598
	Side wall II SCXX24	PG117911
1.5	Cable drum complete	PG119644
1.6	Buffer assembly	PG116719
2.1	Mast section complete	PG114065
2.2	Mast section complete DUET	PG116475
3.1	Cam	PG116464
3.2	Double cam	PG116461
3.3	Stop landing cam	PG117161
4	Anchoring	
4.1	Anchoring	PG115021
4.2	Standard anchoring -short	PG115276
4.3	Standard anchoring -long	PG115275
4.4.1	Vertical anchoring L-2,7-3,5 m	PG114944
4.4.2	Vertical anchoring L-3,5-5,2 m	PG118369
4.4.3	Vertical anchoring L-4,2-5,2 m	PG117300
5	Cable guide	
5.1	Cable holder on the cage	PG118850
5.2	Cable guide complete	PG116679
6	Cam on the cage	PG116421
7	Cage SCXX32	PG116319
	Cage SCXX24	PG117297
7.1	Lock of hatch	PG116993
7.2	Hatch control SCXX32	PG117078
	Hatch control SCXX24	PG117972
7.3	Safety brake assembly	PG116212
7.4	Railings SCXX32	PG114702
7.5	Railings SCXX24	PG122539
8	Door frame complete	PG114745
8.1	Door console I complete	PG120384
8.2	Door console II complete	PG120389
8.3	Top console assembly I	PG116686
	Top console assembly II	PG116688
8.4	Wire wheel assembly I	PG120371
8.5	Wire wheel assembly II	PG120379
8.6	Door line complete	PG114733
8.7	Counterweight	PG114589

SPARE PARTS LIST

NO	DESCRIPTION	SCANCODE
9	Lifting assembly	
9A	Lifting assembly	PG116531
9B	Lifting assembly	PG116533
9.1	Drive plate	PG116063
	Overload system	PG114778
10	Hydraulic ramp	PG114834
11	Unitor	PG115374
11.1	Immovable part of unitor	PG115343
11.1.1	Switch box	PG117738
	Handgrip compl.	PG117737
11.1.2	Fastening of control box OP4	PG117739
11.1.3	Roller system	PG117589
11.1.3	Roller system	PG117736
11.2	Move railing	PG115295
12	Landing	PG116285
12.1	Lower console - long	PG117114
12.1	Lower console - short	PG117115
12.2	Landing door compl.	PG117230
12.3	Landing wall	PG116215
13	Gate	PG106451
13.1	Half gate right complete	PG106389
13.2	Half gate left complete	PG106387
14	Mast section lifting arm	PG121983
14.1	Mast section lifting arm compl.	PG121999
15	Tools	

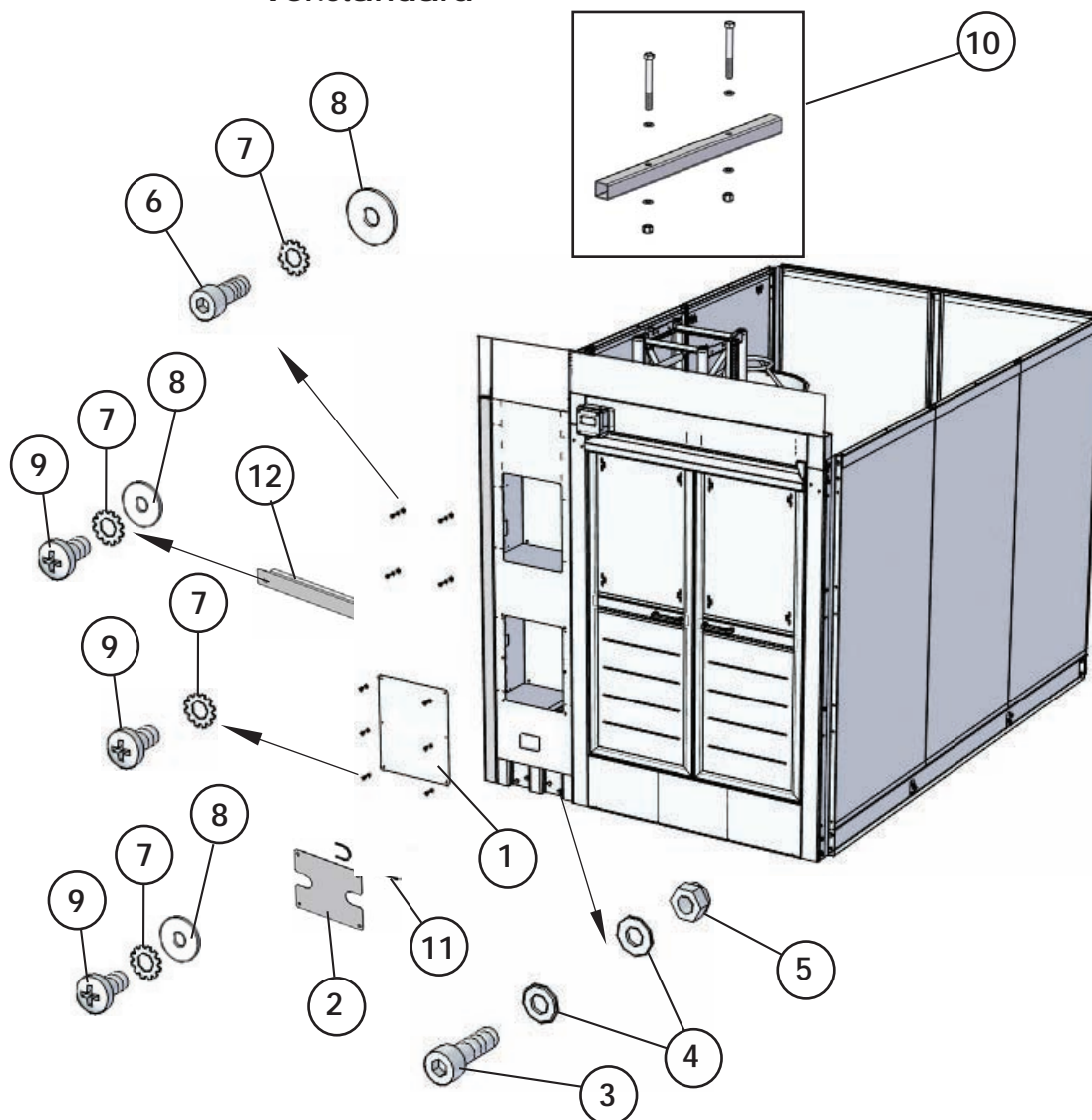
1

LOWER STATION Part 1

SCXX32
SCXX24

PG119766
PG117861

ver.standard

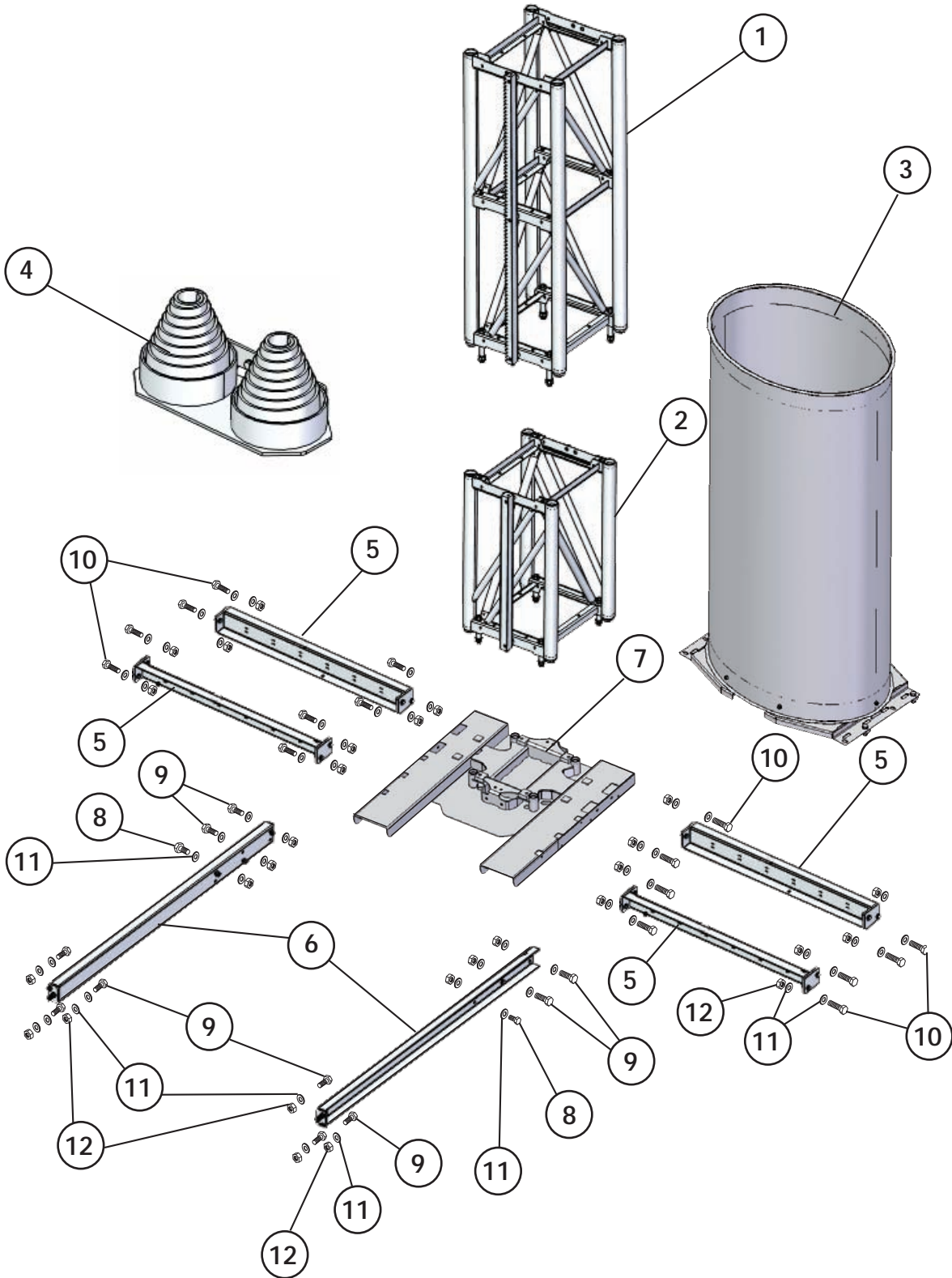


NO	QTY	DESCRIPTION	SCANCODE
1	1	Control Box cover II	PG115069
2	1	Cover	PG116943
3	4	Screw M5x16 A4-70	10005457
4	8	Washer 5,3 A2	10006172
5	4	Nut M5 A2-70	10006274
6	4	Screw M8x20 8.8 A4J	10005554
7	16	Toothed lock with ext. teeth 8,4 Fe/Zn12bcA	10006238
8	10	Washer 8-200 HV A4J	10006180
9	12	Tap screw M8x16 8.8	10006096
10	1	Transport beam	PG118160
11	2	Cover	PG116945
12	1	Cover	PG117096

1

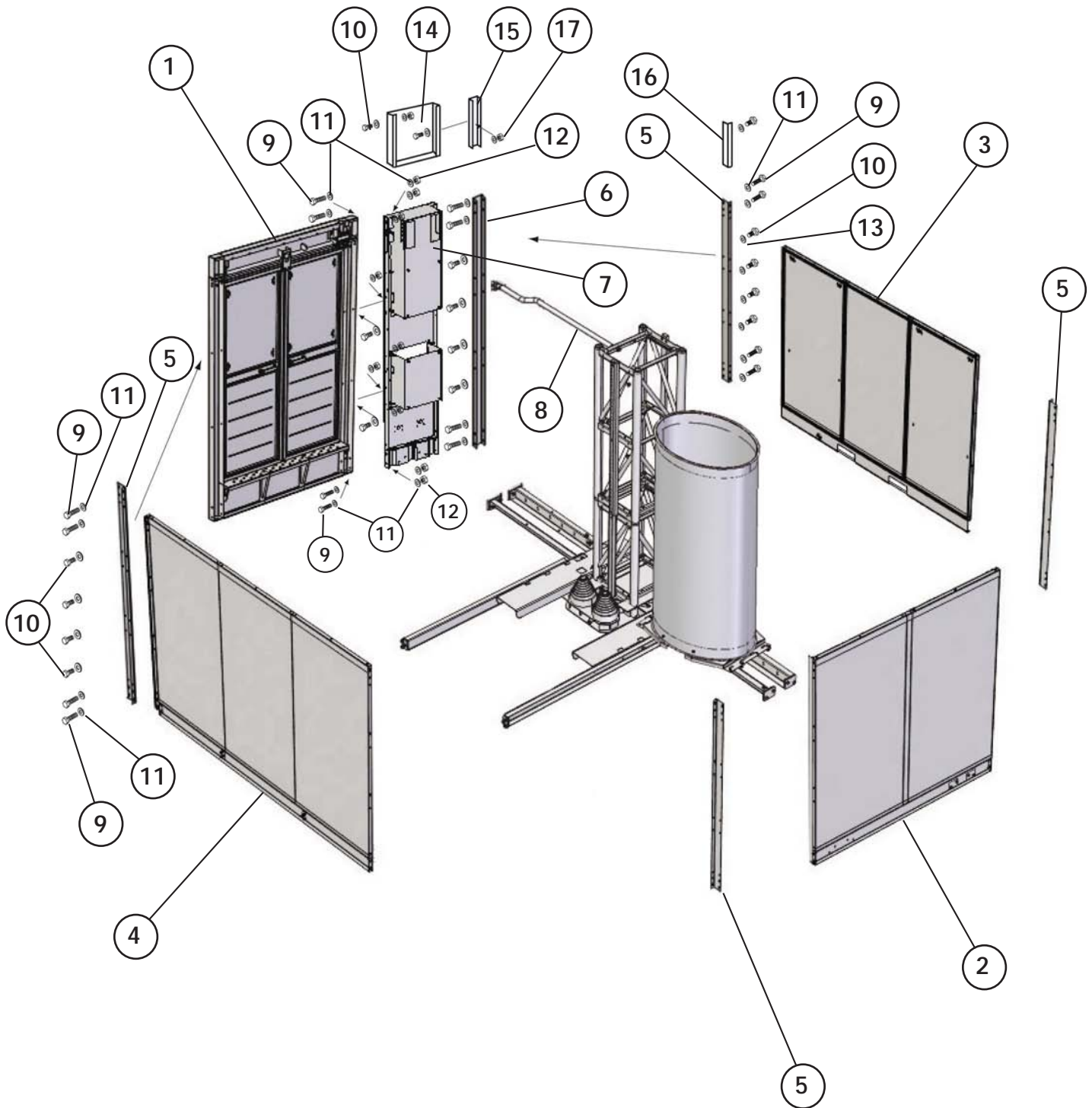
LOWER STATION

Part 2



1

NO	QTY	DESCRIPTION	SCANCODE
1	1	Mast section complete	PG114065
2	1	Short mast section complete	PG115651
3	1	Cable drum complete	PG119644
4	1	Buffer assembly	PG116719
5	4	Beam SCXX32	PG115074
	4	Beam SCXX24	PG117864
6	2	Stiffen beam	PG115612
7	1	Mast base	PG119082
8	20	Screw M12x30 8.8	10007361
9	10	Screw M12x35 8.8	10007565
10	16	Screw M12x40 8.8	10007566
11	82	Washer 13 HV	10006199
12	36	Nut M12 8B A4J	10006291



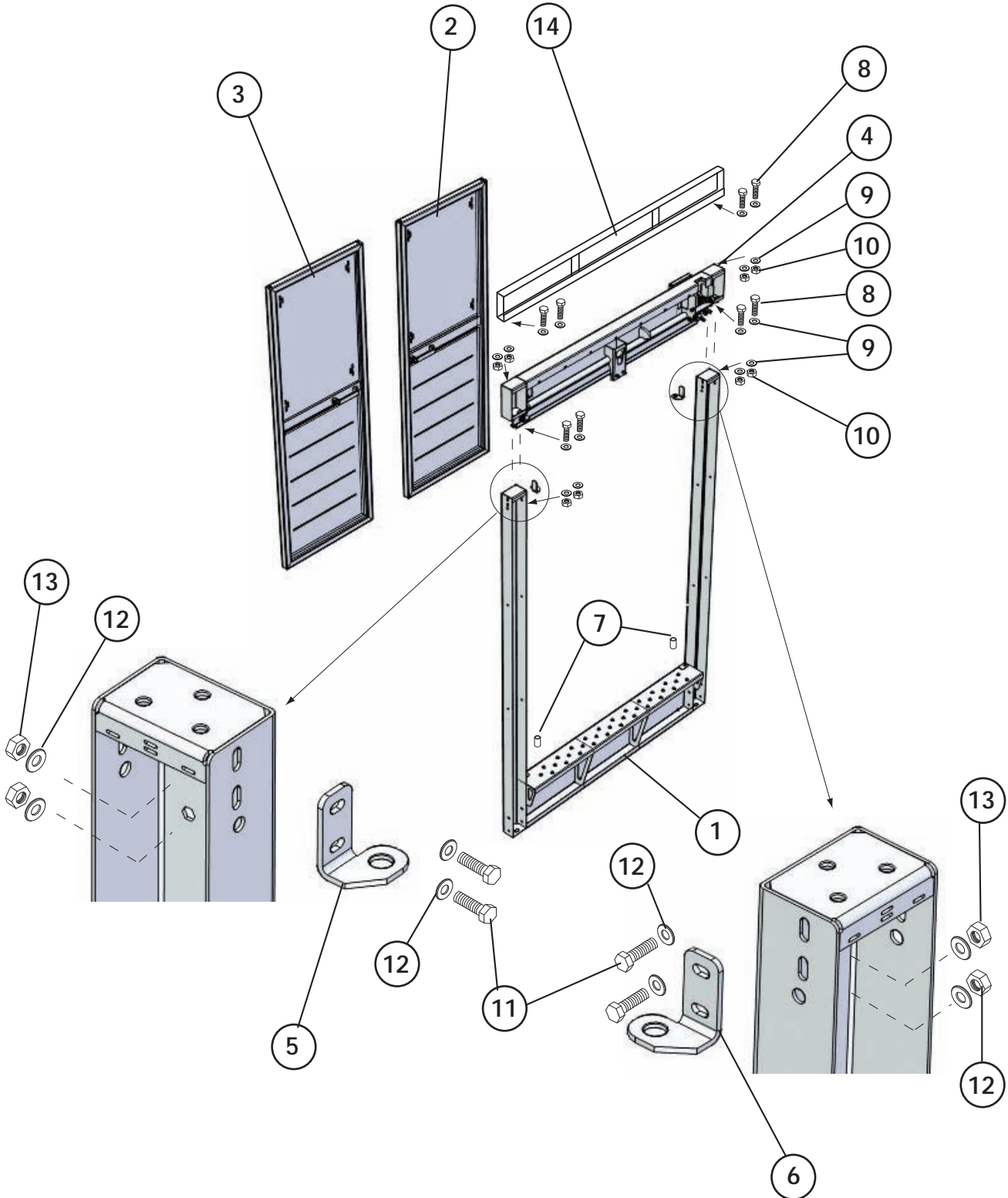
1

NO	QTY	DESCRIPTION	SCANCODE
1	1	Front wall	PG115655
2	1	Back wall	PG115037
3	1	Side wall I SCXX32	PG115046
	1	Side wall I SCXX24	PG117906
4	1	Side wall II SCXX32	PG115598
	1	Side wall II SCXX24	PG117911
5	4	Angle bar joint	PG115208
6	1	Dystans beam	PG115211
7	1	Front panel	PG115583
8	1	Joint pipe complete SCXX32	PG115643
	1	Joint pipe complete SCXX24	PG117913
9	20	Screw M12x30 8.8	10007361
10	18	Screw M8x20 8.8	10007354
11	82	Washer 13 HV	10006199
12	36	Nut M12 8B A4J	10006291
13	32	Washer 8-200 HV A4J	10006180
14	1	Cover	PG117176
15	1	Cover	PG117258
16	1	Cover	PG117253
17	10	Nut M8 8B A4J	10006281

1.1

FRONT WALL

PG115655



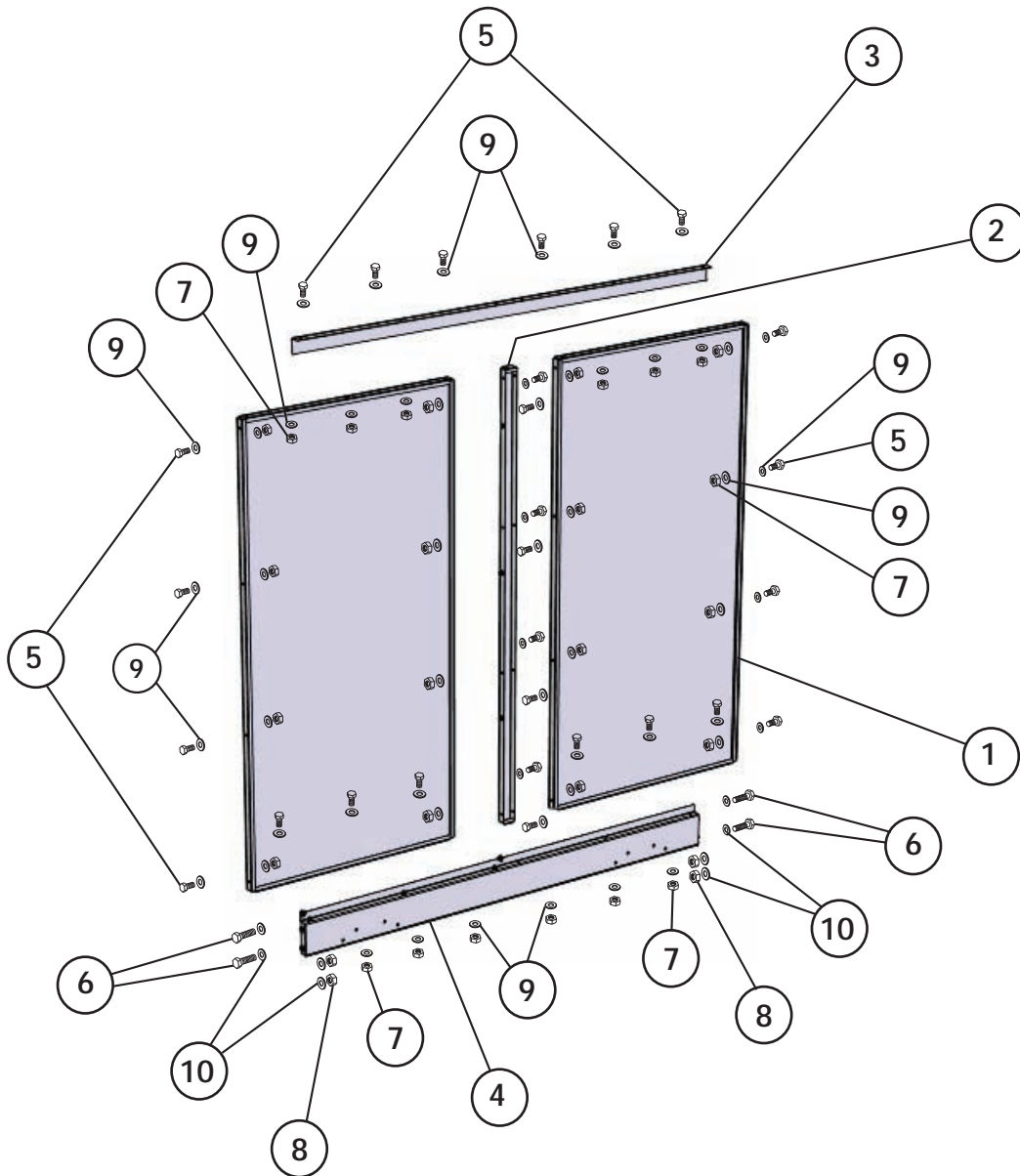
1.1

NO	QTY	DESCRIPTION	SCANCODE
1	1	Door frame of lower station	PG115667
2	1	Left door complete	PG119040
3	1	Right door complete	PG119087
4	1	Lock ZB-06	PG116585
5	1	Angle bar to fasten door I	PG115746
6	1	Angle bar to fasten door II	PG115745
7	2	Sleeve	PG102758
8	8	Screw M10x25 8.8 A4J	10005653
9	16	Washer 10,5 Fe/Zn12bcA	10006186
10	8	Nut M10 8B A4J	10006286
11	4	Screw M8x20 8.8	10007185
12	8	Washer 8,4 Fe/Zn12bcA	10006178
13	4	Nut M8 8B A4J	10006281
14	1	Cover	PG117075

1.2

BACK WALL

PG115037



NO	QTY	DESCRIPTION	SCANCODE
1	2	Door panel II	PG114956
2	1	C - profile	PG115025
3	1	Grapping angle bar II	PG115027
4	1	Bottom beam III	PG115034
5	28	Screw M8x20 8.8	10007354
6	4	Screw M12x30 8.8	10007361
7	28	Nut M8 8B A4J	10006281
8	4	Nut M12 8B A4J	10006291
9	56	Washer 8-200 HV A4J	10006180
10	8	Washer 13 HV	10006199

1.3

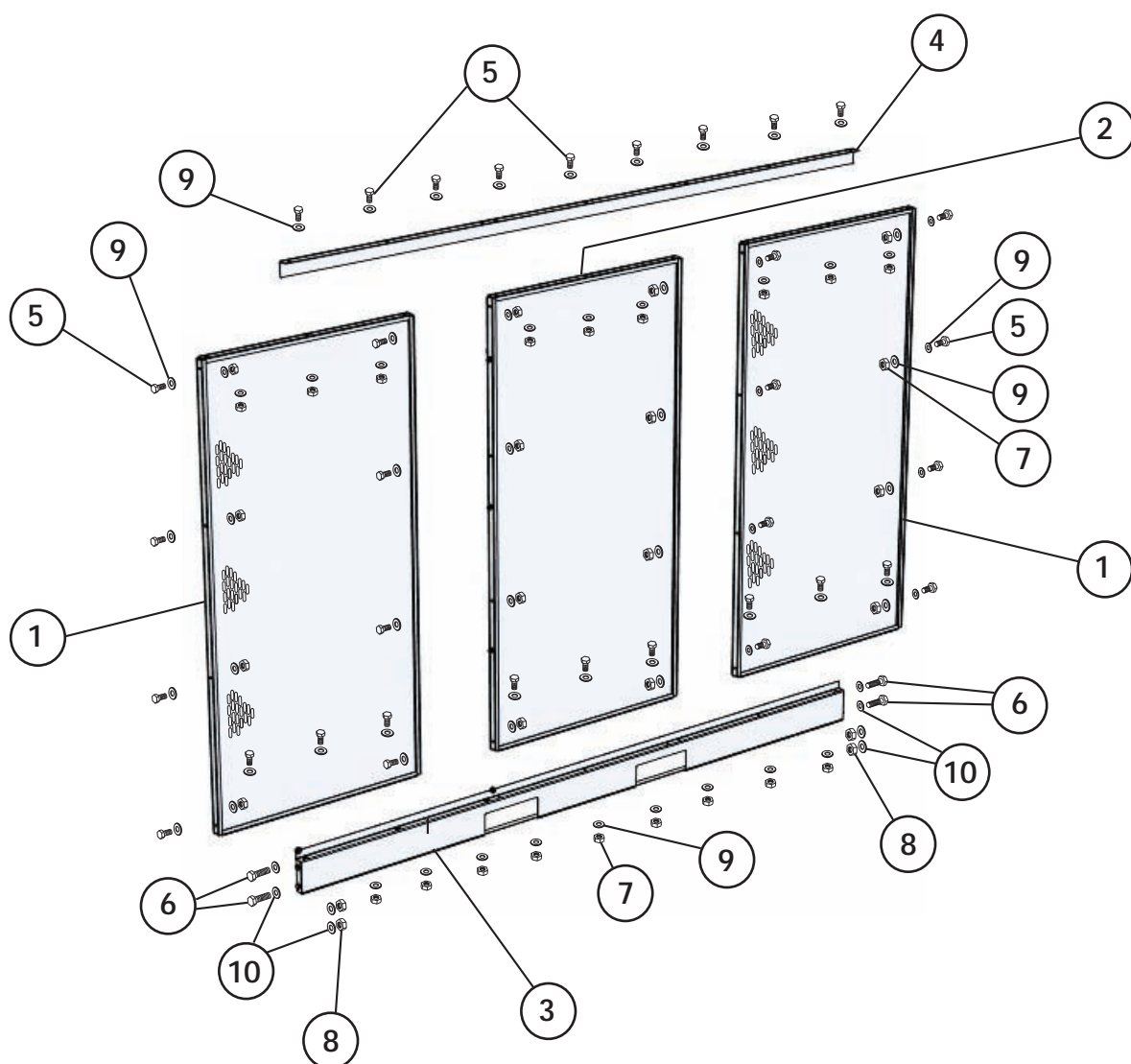
SIDE WALL I

SCXX32

PG115046

SCXX24

PG117906



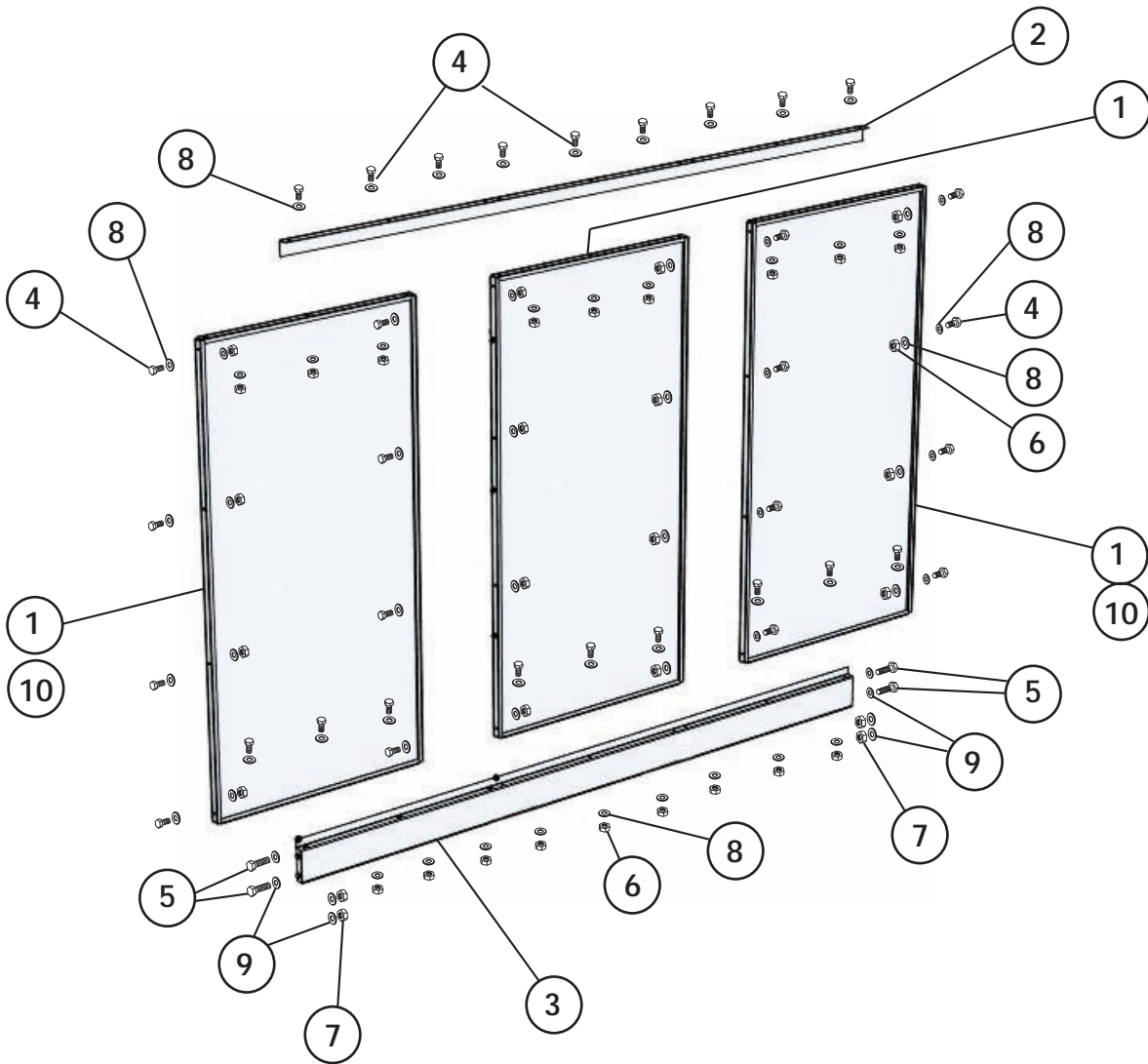
NO	QTY	DESCRIPTION	SCANCODE
1	2	Side panel SCXX32	PG114954
	2	Side panel SCXX24	PG117892
2	1	Side panel II	PG117079
3	1	Beam of base I SCXX32	PG115040
	1	Beam of base I SCXX24	PG117904
4	1	Grapping angle bar II SCXX32	PG115042
	1	Grapping angle bar II SCXX24	PG117905
5	34	Screw M8x20 8.8	10007354
6	4	Screw M12x30 8.8	10007361
7	34	Nut M8 8B A4J	10006281
8	4	Nut M12 8B A4J	10006291
9	62	Washer 8-200 HV A4J	10006180
10	8	Washer 13 HV	10006199

1.4

SIDE WALL II

SCXX32
SCXX24

PG115598
PG117911

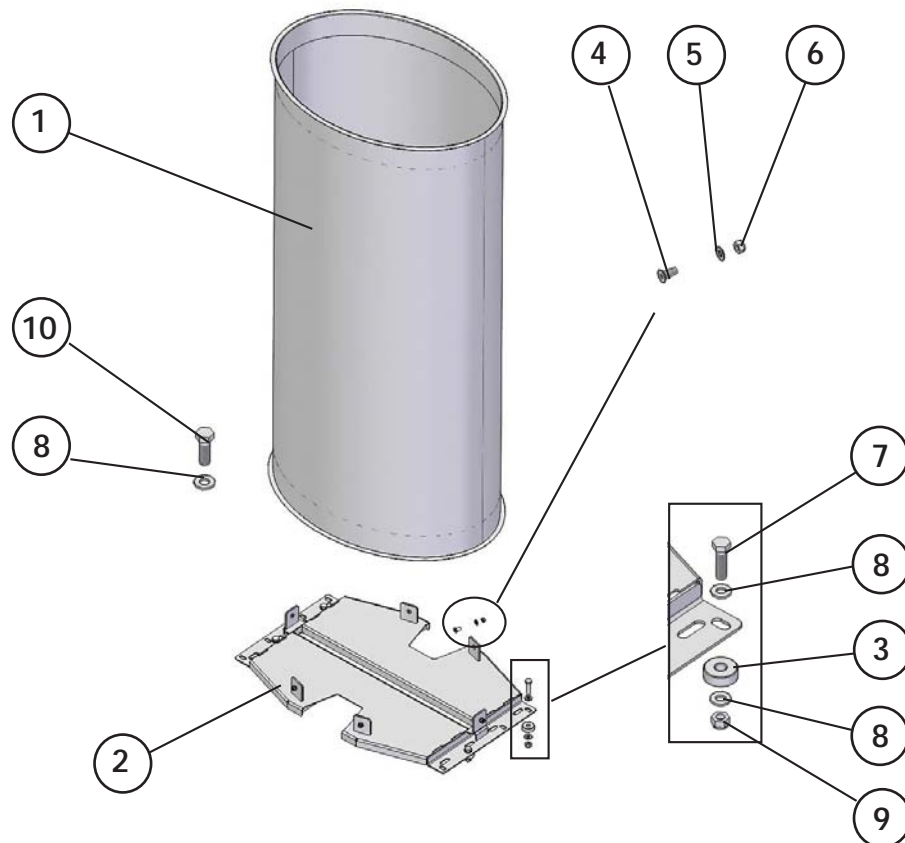


NO	QTY	DESCRIPTION	SCANCODE
1	3	Side panel II SCXX32	PG114956
	1	Side panel II SCXX24	PG114956
2	1	Grapping angle bar II SCXX32	PG115042
	1	Grapping angle bar II SCXX24	PG117905
3	1	Beam of base II SCXX32	PG115597
	1	Beam of base II SCXX24	PG117910
4	34	Screw M8x20 8.8	10007354
5	4	Screw M12x30 8.8	10007361
6	34	Nut M8 8B A4J	10006281
7	4	Nut M12 8B A4J	10006291
8	68	Washer 8-200 HV A4J	10006180
9	8	Washer 13 HV	10006199
10	2	Side panel SCXX24	PG117892

1.5

CABLE DRUM COMPLETE

PG119644

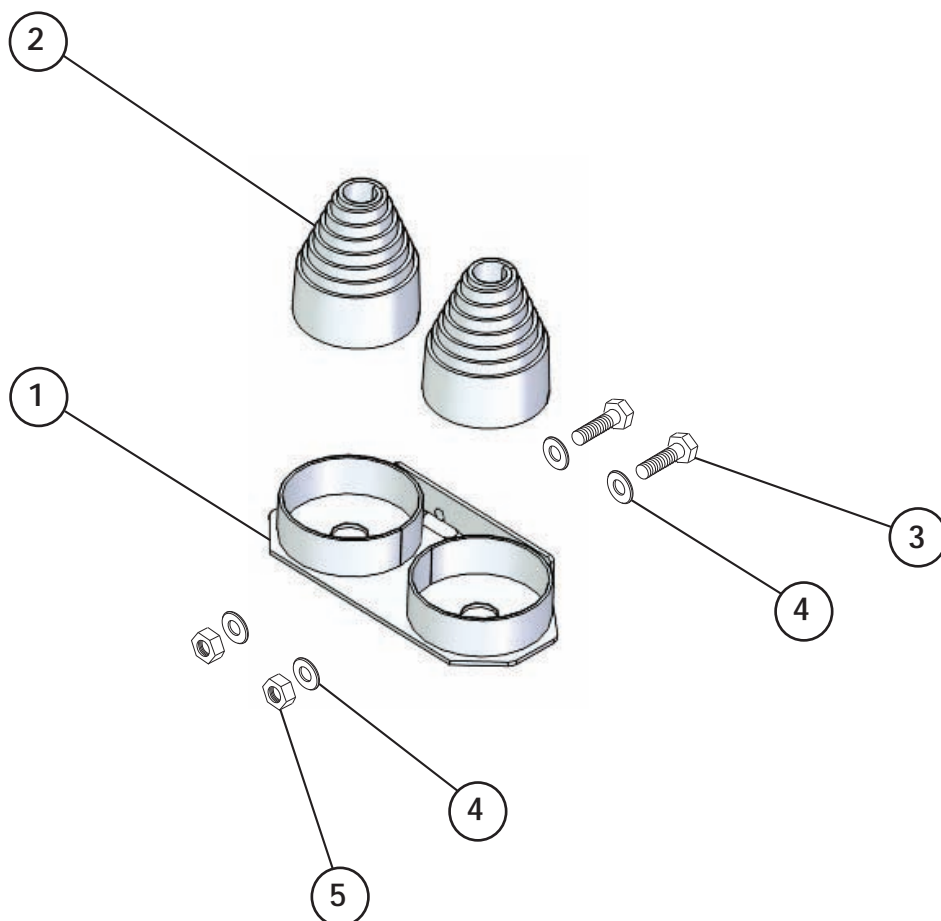


NO	QTY	DESCRIPTION	SCANCODE
1	1	Cable drum	PG119173
2	1	Cable drum base	PG119636
3	2	Sleeve	PG117047
4	6	Screw M8x20 8.8 A4J	10005555
5	6	Washer 8,4 Fe/Zn12bcA	10006178
6	6	Nut M8 8B A4J	10006281
7	2	Screw M12x45 8.8	10007465
8	6	Washer 13 HV	10006199
9	4	Nut M12 8B A4J	10006291
10	2	Screw M12x30 8.8	10007361

1.6

BUFFER ASSEMBLY

PG116719

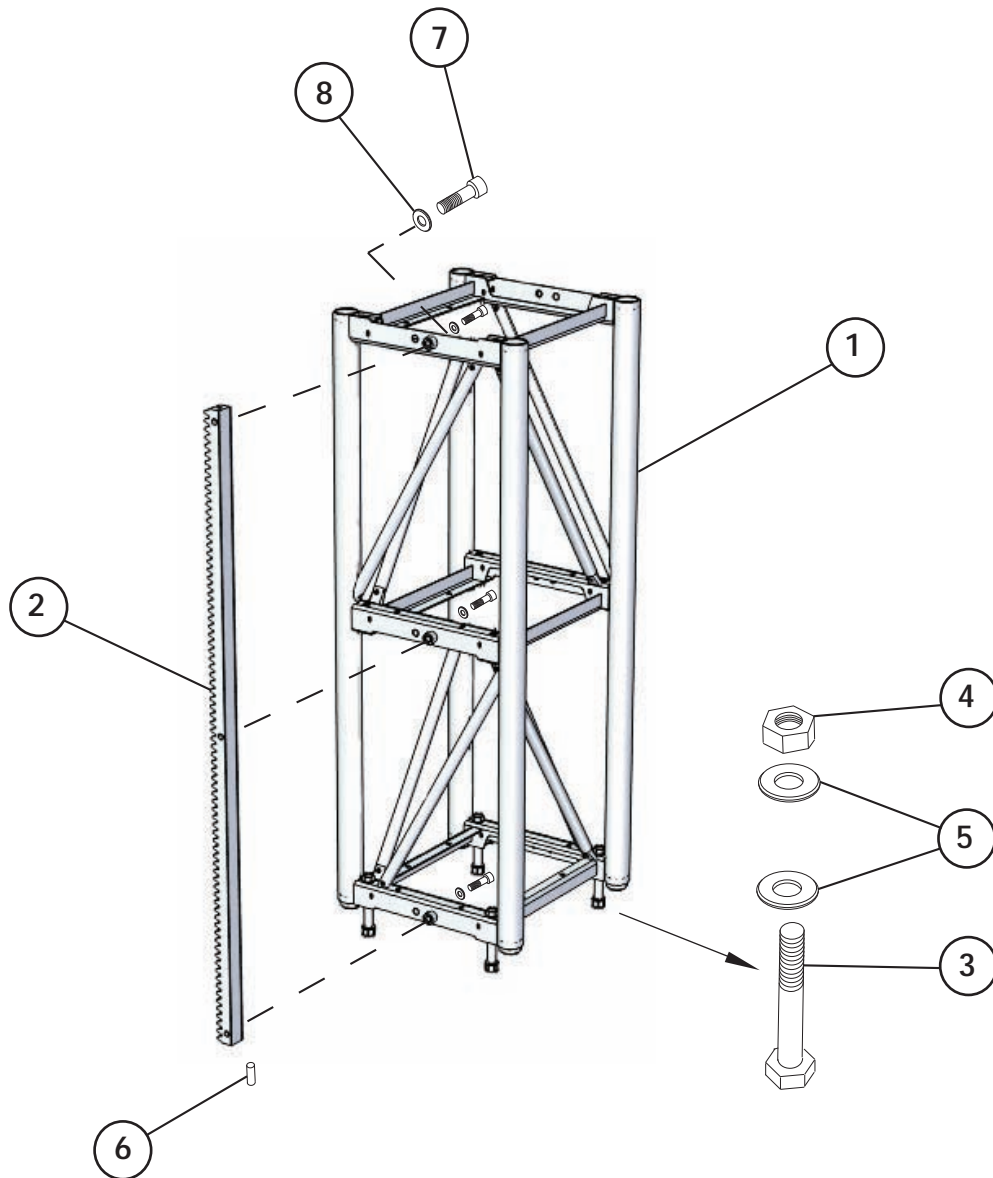


NO	QTY	DESCRIPTION	SCANCODE
1	1	Buffer base	PG116626
2	2	Buffer spring	PG103033
3	2	Screw M12x35 8.8	10007465
4	4	Washer 13 HV	10006199
5	2	Nut M12 8B A4J	10006291

2.1

MAST SECTION COMPLETE

PG114065

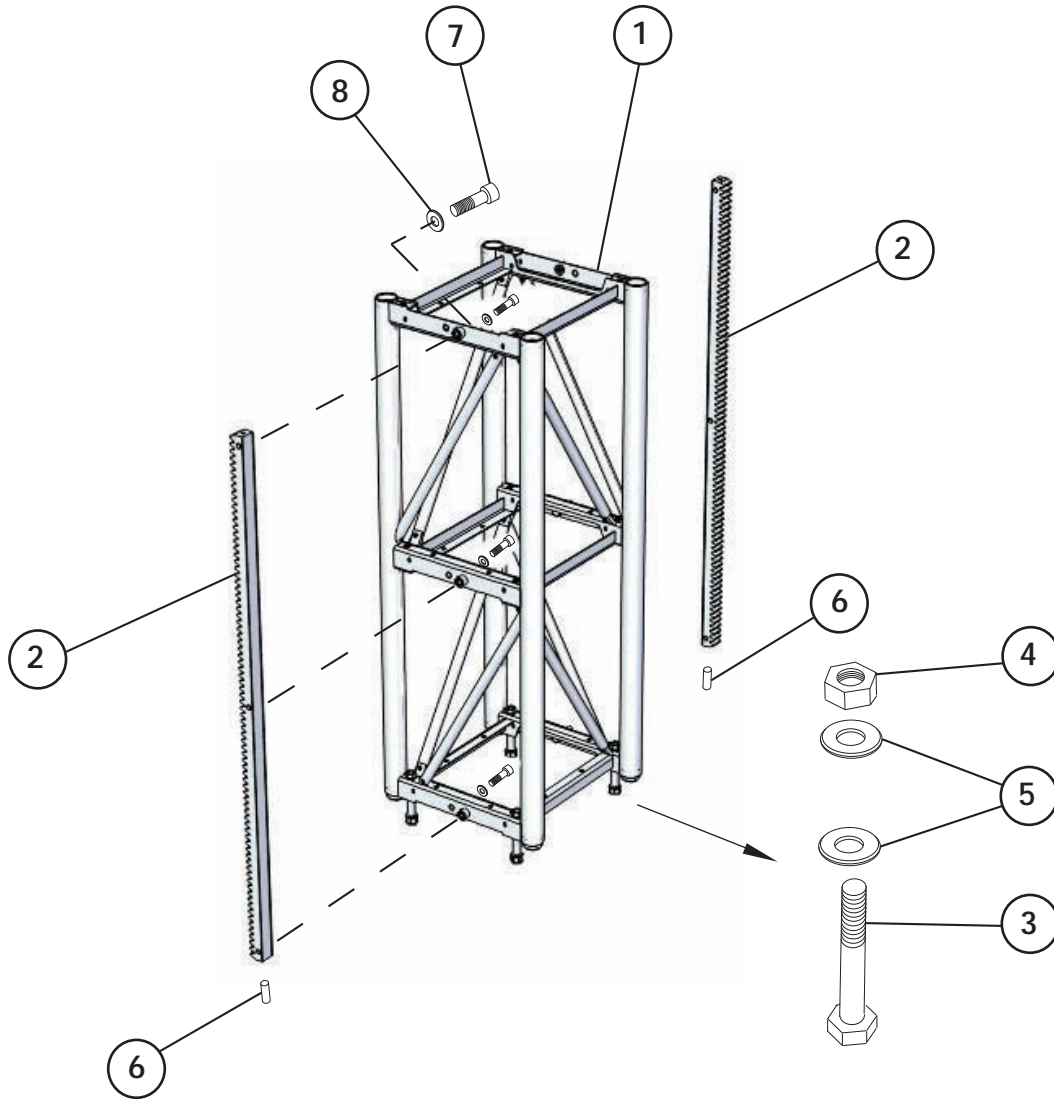


NO	QTY	DESCRIPTION	SCANCODE
1	1	Mast section	PG114064
2	1	Rack	PG113902
3	4	Screw M18x160 8.8	10007177
4	4	Nut M18 8 A4J	10007178
5	8	Washer 18-300 HV A7J	10007689
6	1	Pin 10x28	10007179
7	3	Screw M16x60 8.8 A7J	10007688
8	3	Washer 17 HV	10006203

2.2

MAST SECTION DUET

PG116475

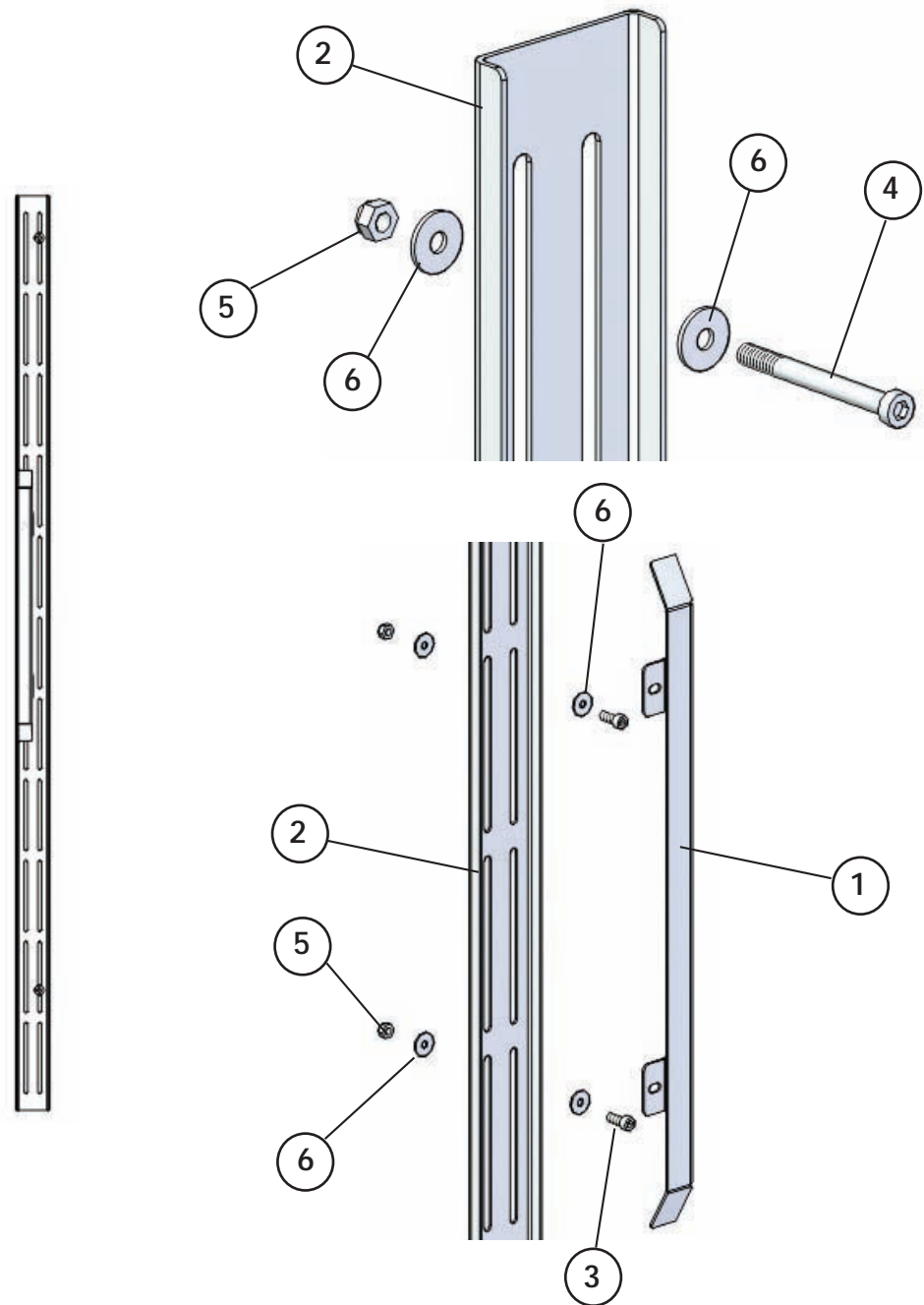


NO	QTY	DESCRIPTION	SCANCODE
1	1	Mast section duet	PG116474
2	2	Rack	PG113902
3	4	Screw M18x160 8.8	10007177
4	4	Nut M18 8 A4J	10007178
5	8	Washer 18-300 HV A7J	10007689
6	2	Pin 10x28	10007179
7	6	Screw M16x60 8.8 A7J	10007688
8	6	Washer 17 HV	10006203

3.1

CAM

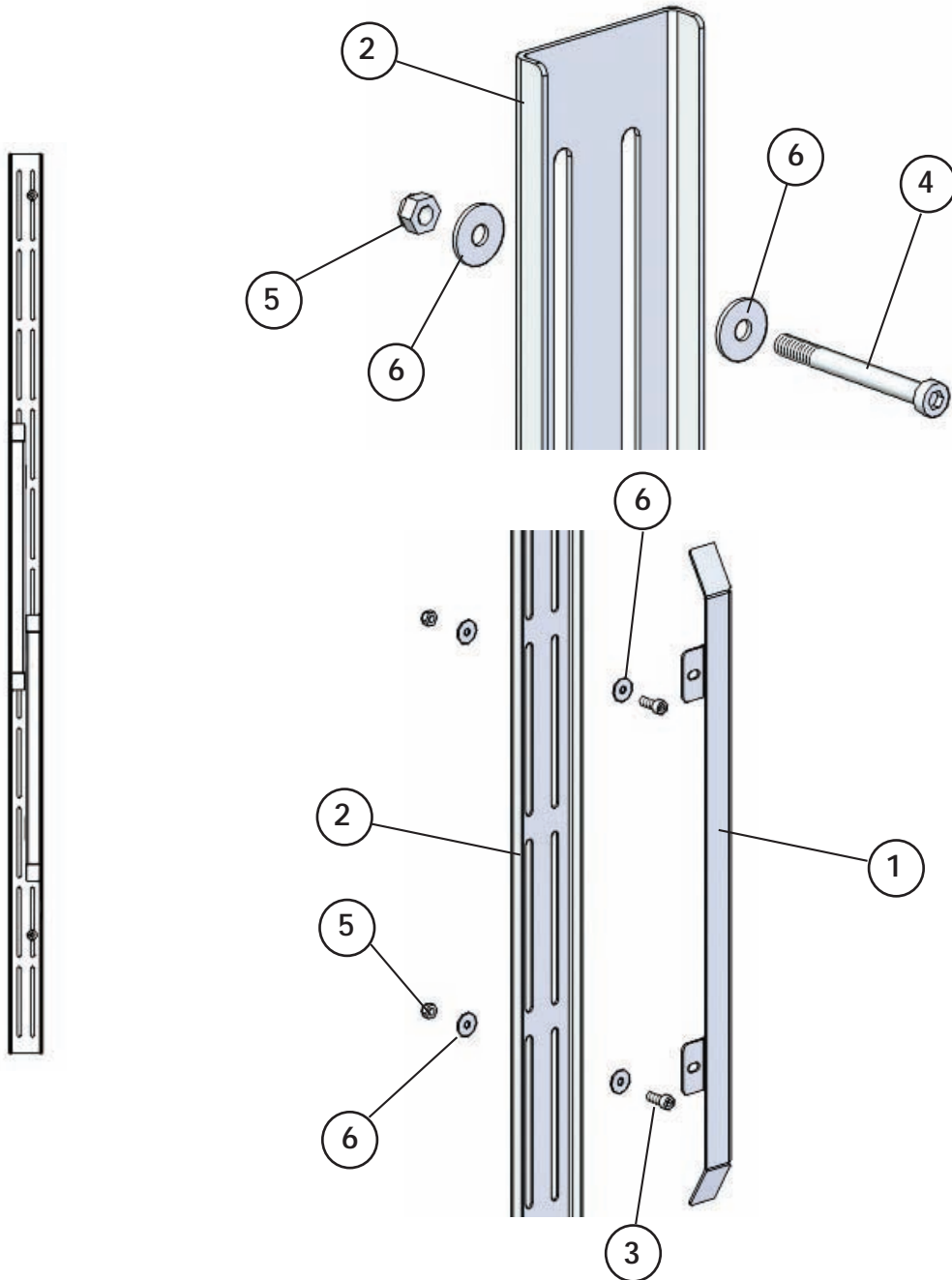
PG116464



NO	QTY	DESCRIPTION	SCANCODE
1	1	Cam	PG116451
2	1	C- profil	PG116457
3	2	Screw M6x16 A4-70	10005501
4	2	Screw M6x60 8.8 A4J	10005530
5	4	Nut M6 8 A4-70	10006279
6	8	Washer 6-200 HV A4J	10006177

3.2

DOUBLE CAM PG116461

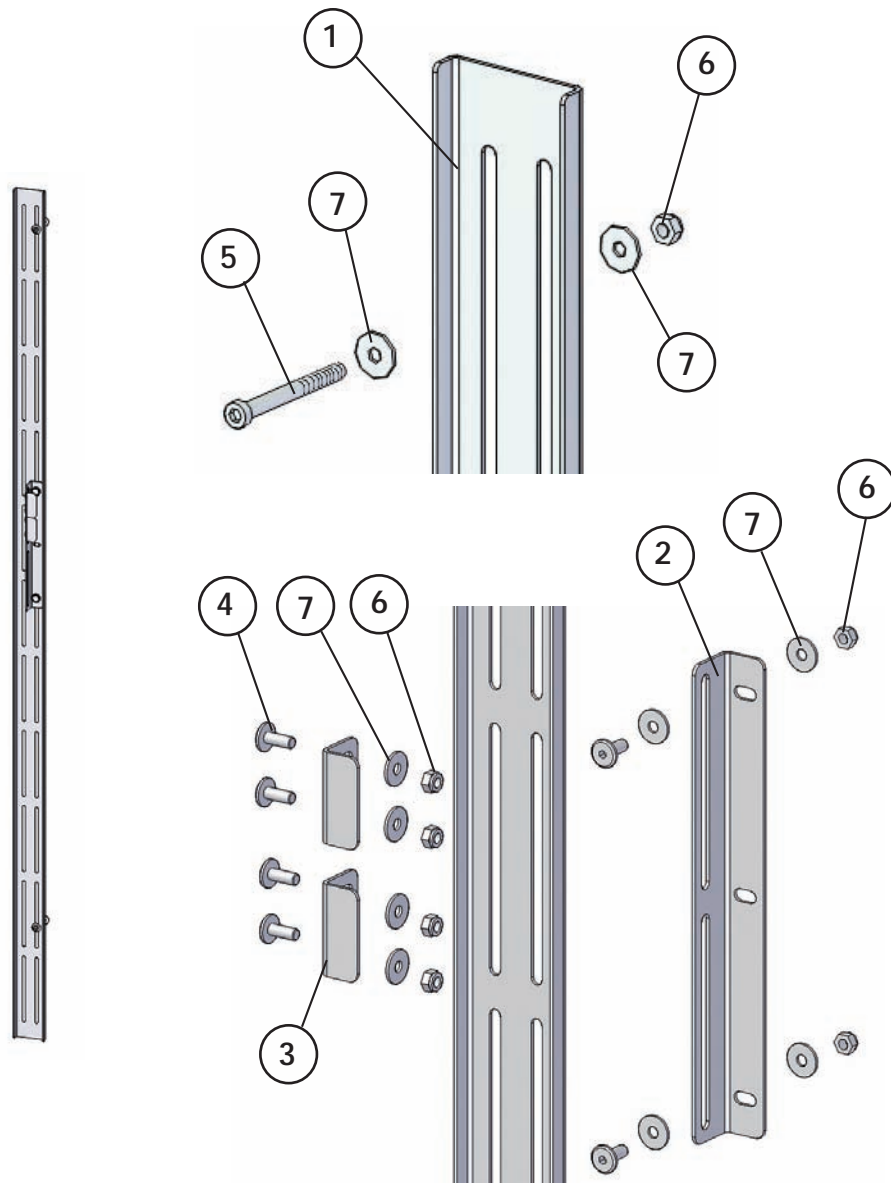


NO	QTY	DESCRIPTION	SCANCODE
1	2	Cam	PG116451
2	1	C- profil	PG116457
3	4	Screw M6x16 A4-70	10005501
4	2	Screw M6x60 8.8 A4J	10005530
5	6	Nut M6 8 A4-70	10006279
6	12	Washer 6-200 HV A4J	10006177

3.3

STOP LANDING CAM

PG117161



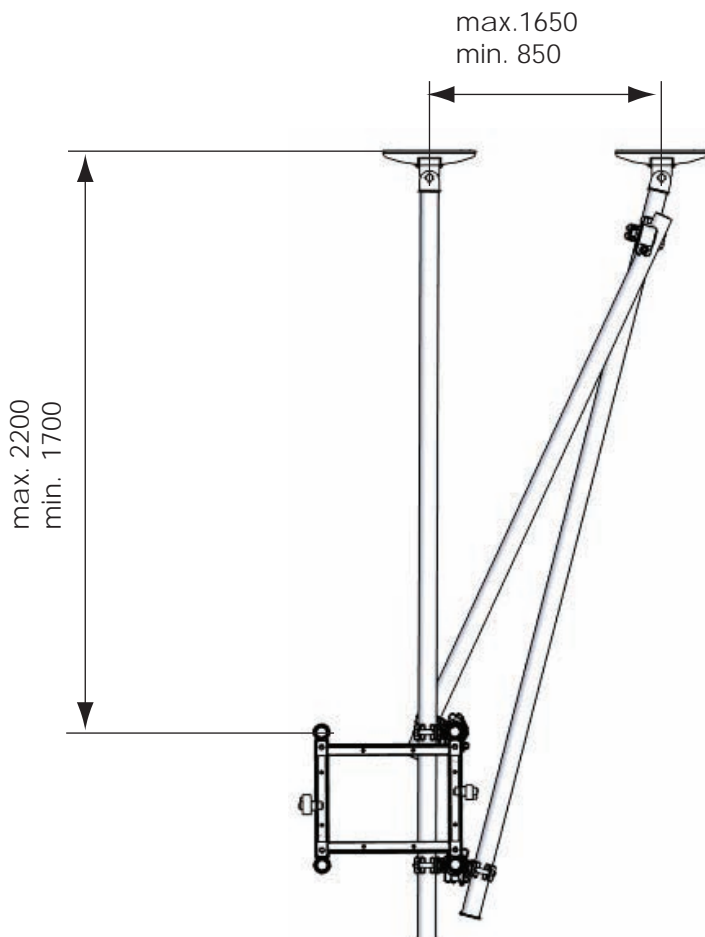
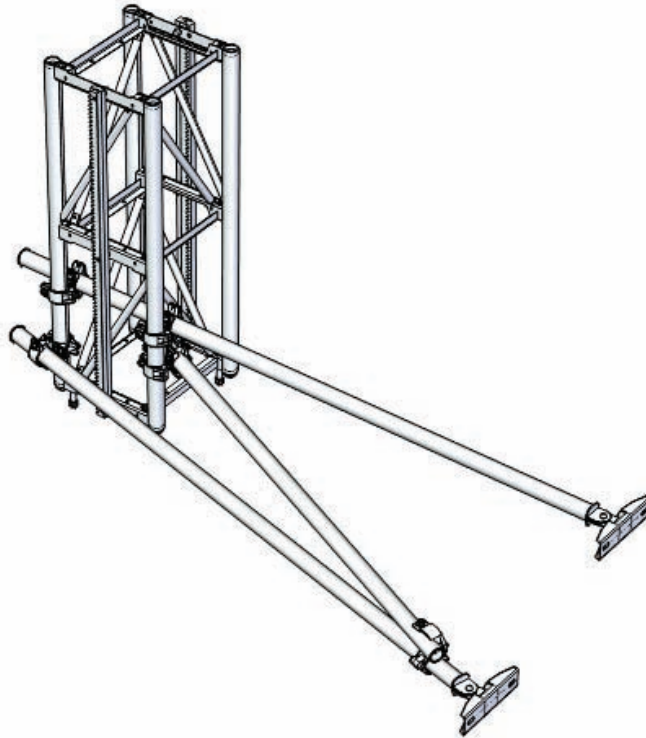
NO	QTY	DESCRIPTION	SCANCODE
1	1	C- profil	PG116457
2	1	Angle	PG118940
3	2	Cam	PG118942
4	6	Screw M6x16 A4-70	10005501
5	2	Screw M6x60 8.8 A4J	10005530
6	8	Nut M6 8 A4-70	10006279
7	12	Washer 6-200 HV A4J	10006177

4.1

ANCHORING

PG115021

Part 1

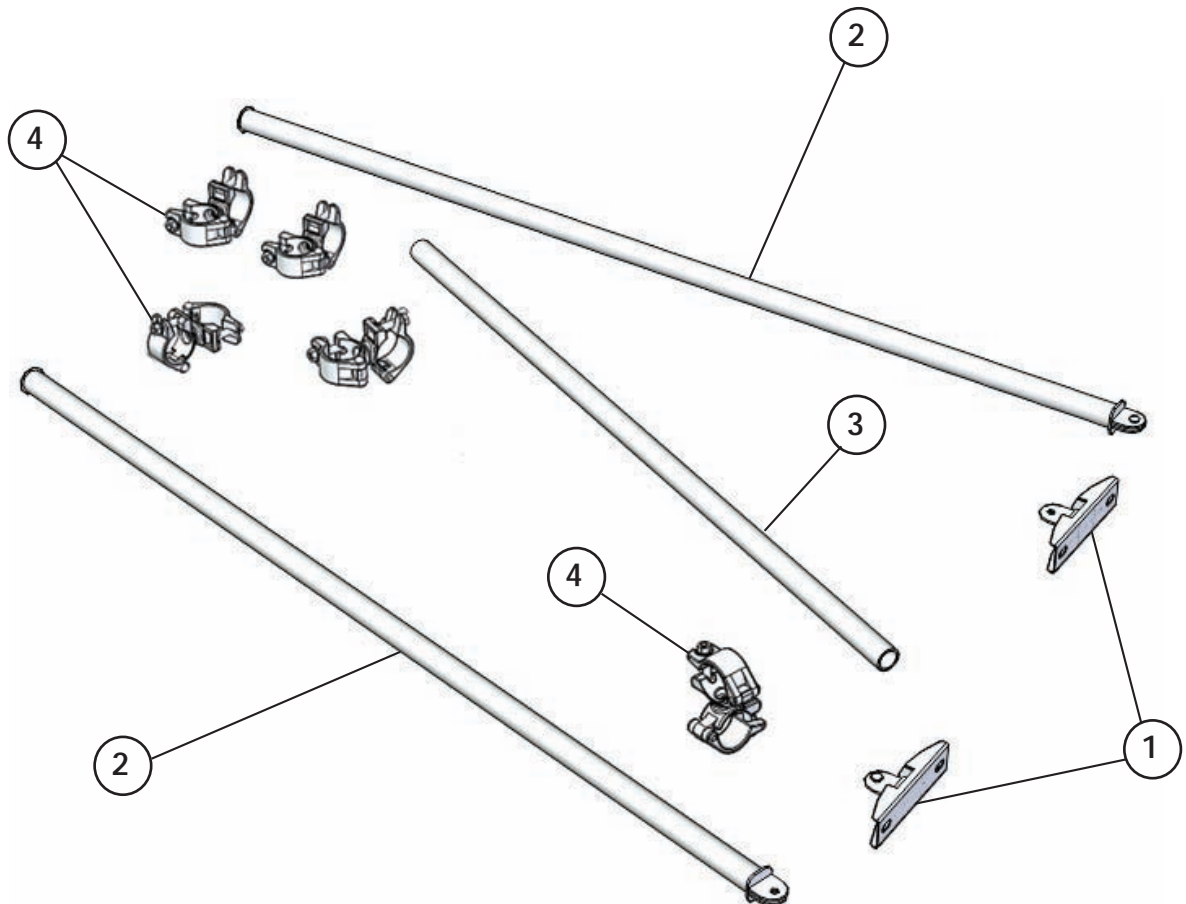


4.1

ANCHORING

PG115021

Part 2

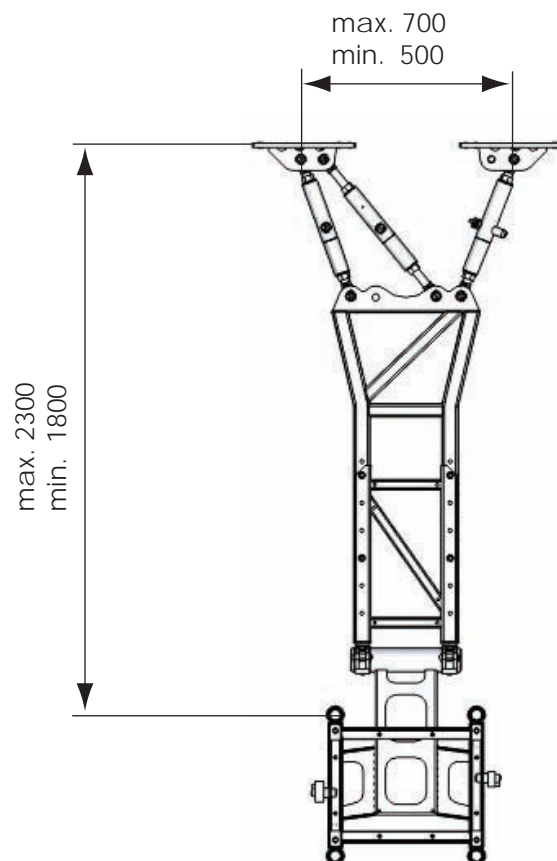
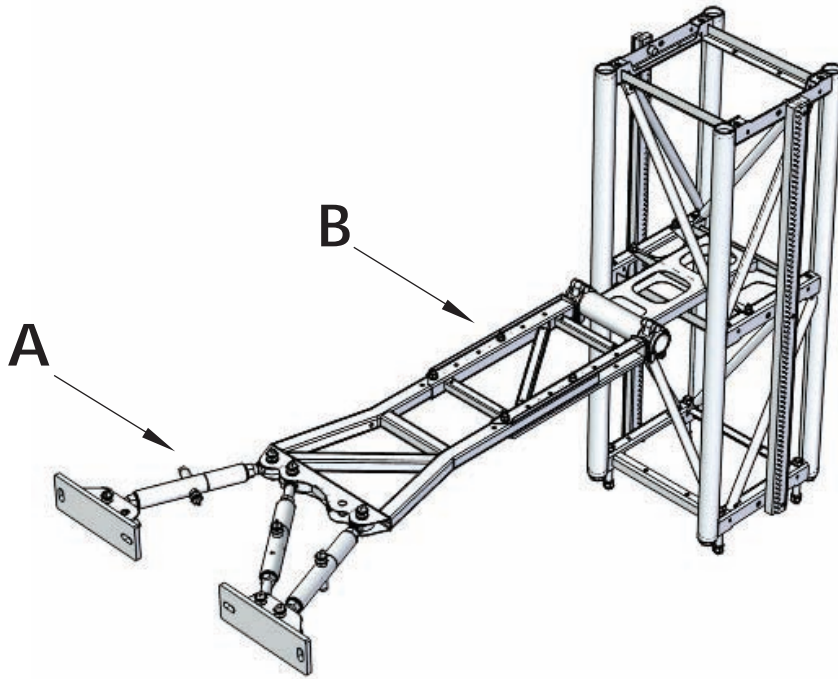


NO	QTY	DESCRIPTION	SCANCODE
1	2	Wall grip complete	PG115249
2	2	Anchoring pipe	PG115282
3	1	Pipe	PG115283
4	5	Rotating joint 60x60 S355 F=150kN	10007396

4.2

STANDARD ANCHORING - SHORT PG115276

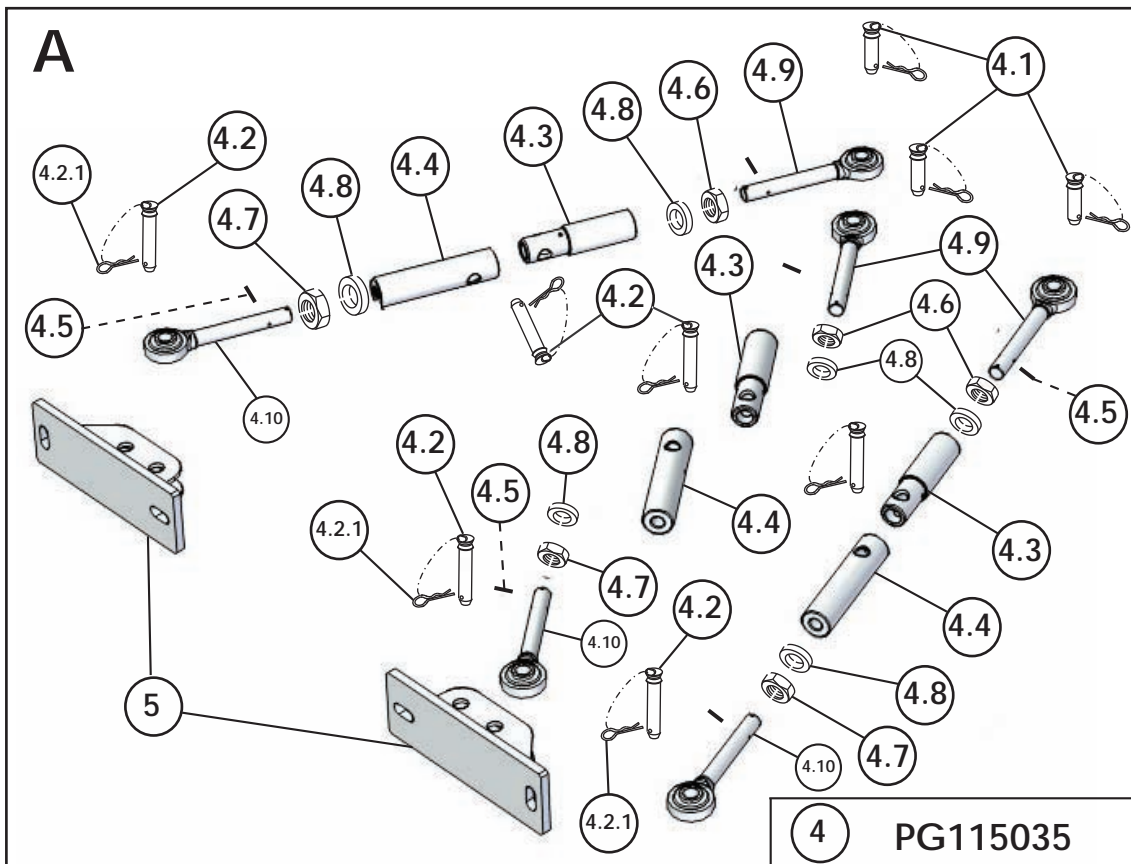
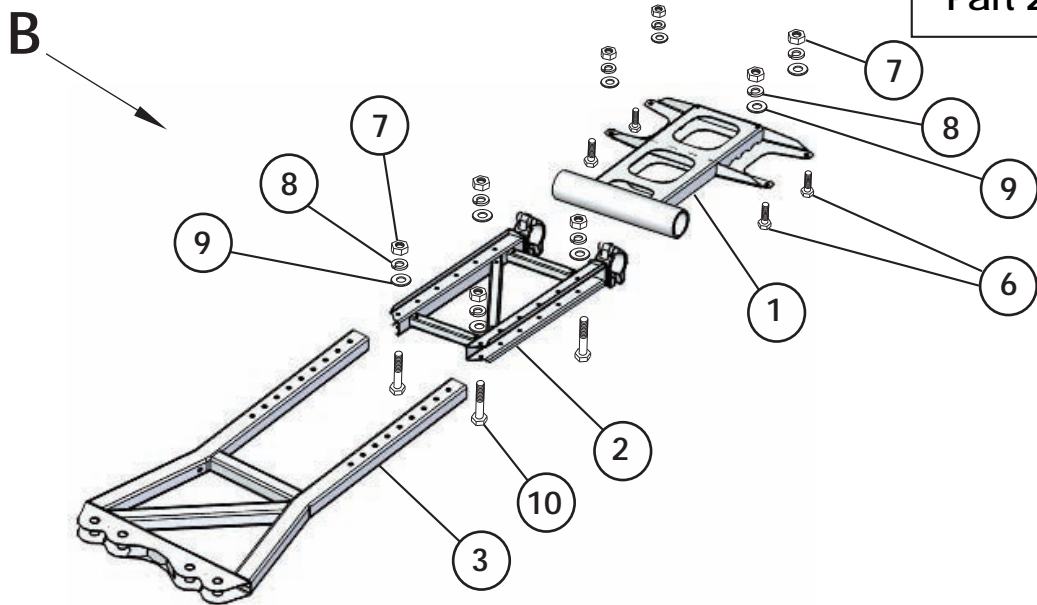
Part 1



4.2

STANDARD ANCHORING - SHORT PG115276

Part 2



4.2

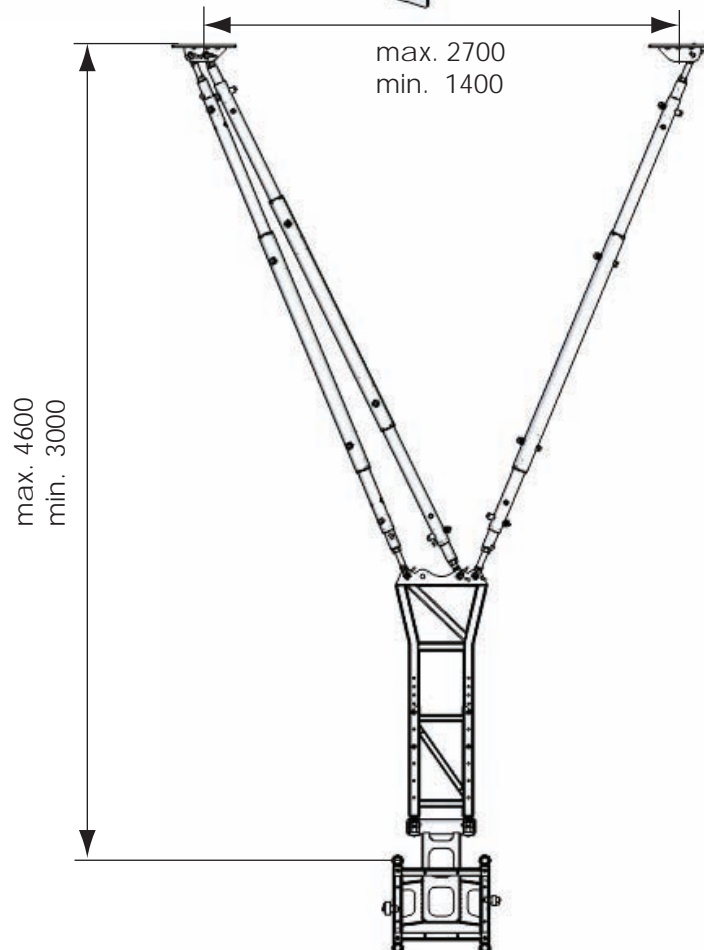
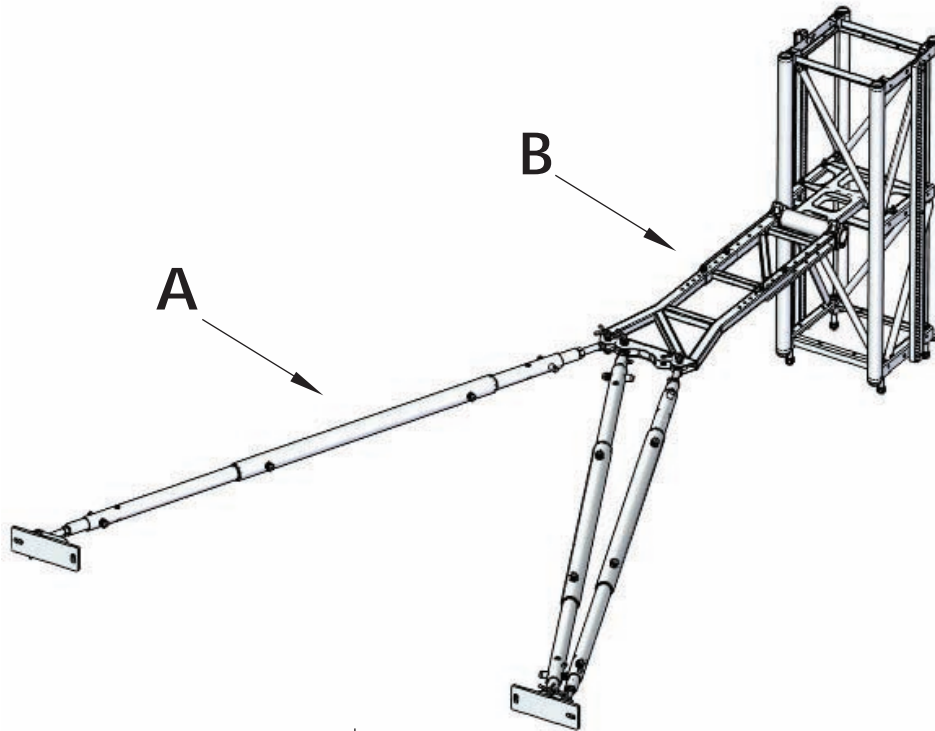
NO	QTY	DESCRIPTION	SCANCODE
1	1	Anchoring grip	PG115138
2	1	Anchoring frame	PG115172
3	1	Anchoring frame III	PG115001
4	1	Set of anchoring pipes short	PG115035
4.1	3	Pin complete	PG105360
4.2	6	Long pin complete	PG104157
4.2.1	9	Locking splint	PG100168
4.3	3	Pipe-R	PG104170
4.4	3	Pipe-L	PG104174
4.5	6	Tap screw M5x20 45H A4J	10006048
4.6	3	Nut M24x2-10 R A4J	10006388
4.7	3	Nut M24x2-10 L A4J	10006389
4.8	6	Washer 25HV	10006216
4.9	3	Joint M24x2-R	10000659
4.10	3	Joint M24x2-L	10000660
5	2	Wall bracket	PG104705
6	4	Screw M12x30 8.8 A4J	10005734
7	8	Nut M12 8 A4J	10006343
8	8	Spring washer Z 12,2 Fe/Zn12bcA	10006243
9	8	Washer 13 Fe/Zn12bcA	10006196
10	4	Screw M12x70 8.8 A4J	10005763

4.3

STANDARD ANCHORING - LONG

PG115275

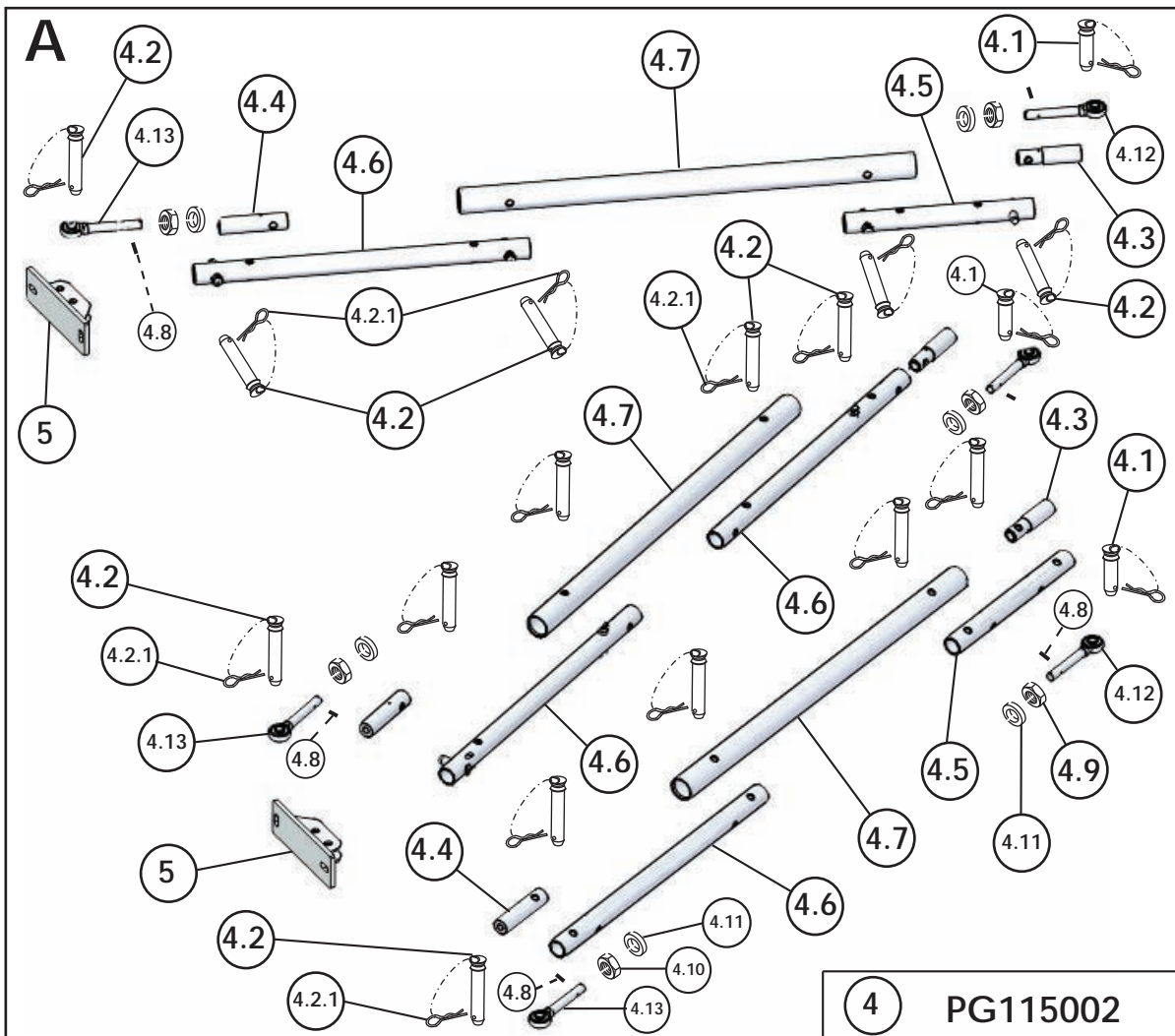
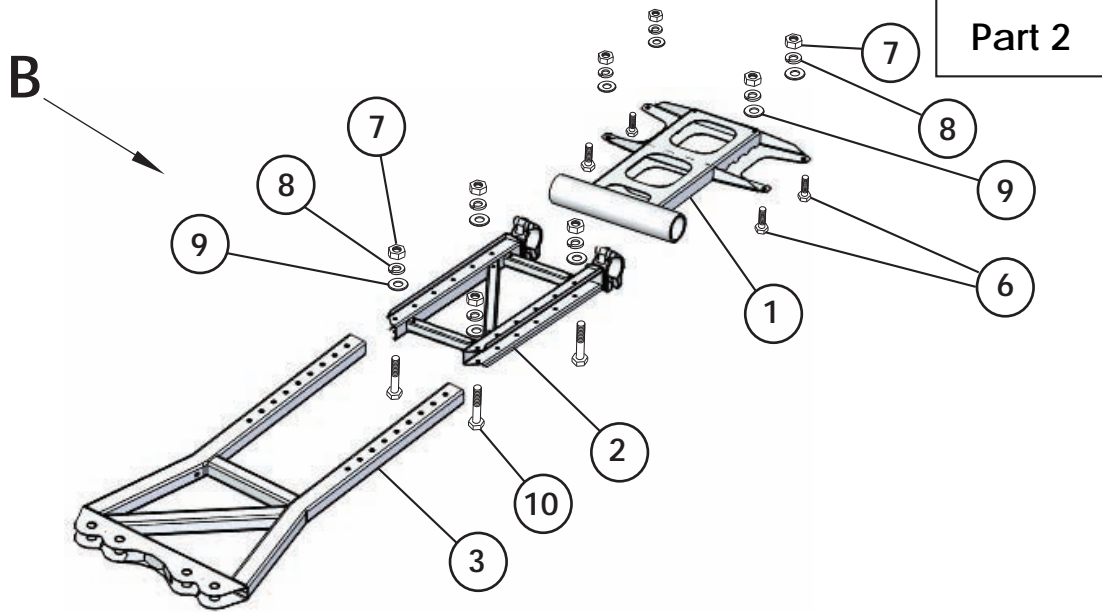
Part 1



4.3

STANDARD ANCHORING - LONG

PG115275



4.3

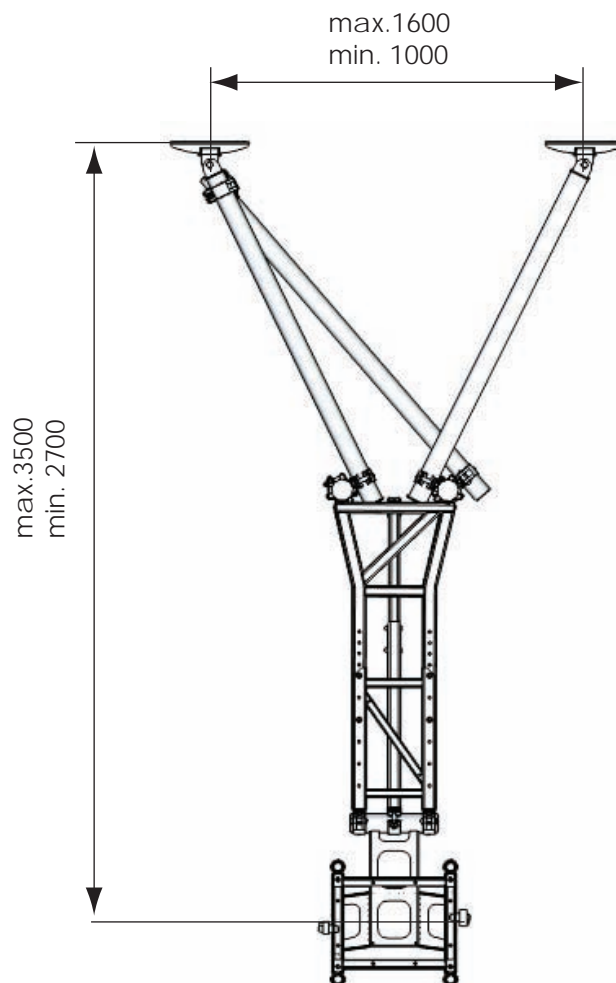
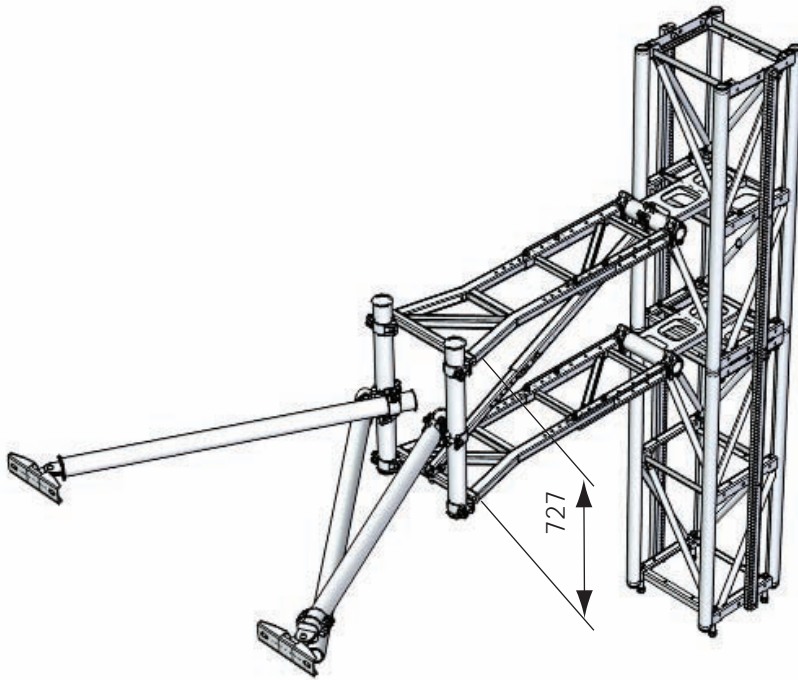
NO	QTY	DESCRIPTION	SCANCODE
1	1	Anchoring grip	PG115138
2	1	Anchoring frame	PG115172
3	1	Anchoring frame III	PG115001
4	1	Set of anchoring pipes long	PG115002
4.1	3	Pin complete	PG105360
4.2	15	Long pin complete	PG104157
4.2.1	18	Locking splint	PG100168
4.3	3	Pipe-R	PG104170
4.4	3	Pipe-L	PG104174
4.5	2	Pipe L=580	PG104198
4.6	4	Pipe L=1030	PG104201
4.7	3	Middle pipe complete	PG104213
4.8	6	Tap screw M5x20 45H A4J	10006048
4.9	3	Nut M24x2-10 R	10006388
4.10	3	Nut M24x2-10 L	10006389
4.11	6	Washer 25HV	10006216
4.12	3	Joint M24x2-R	10000659
4.13	3	Joint M24x2-L	10000660
5	2	Wall bracket	PG104705
6	4	Screw M12x30 8.8 A4J	10005734
7	8	Nut M12 8 A4J	10006343
8	8	Spring washer Z 12,2 Fe/Zn12bcA	10006243
9	8	Washer 13 Fe/Zn12bcA	10006196
10	4	Screw M12x70 8.8 A4J	10005763

4.41

VERTICAL ANCHORING L-2,7-3,5 m

PG114944

Part 1

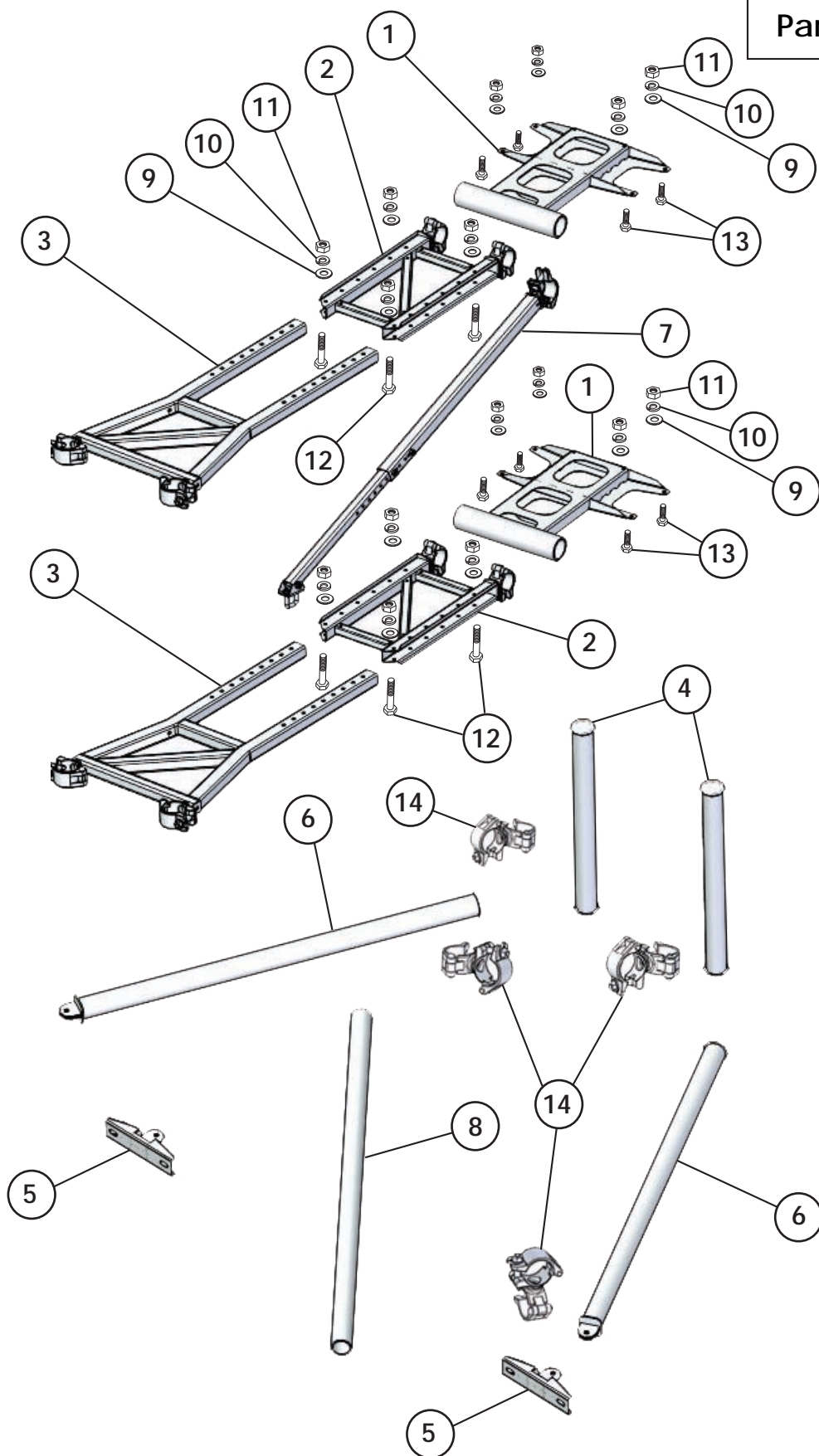


4.41

VERTICAL ANCHORING L-2,7-3,5 m

PG114944

Part 2



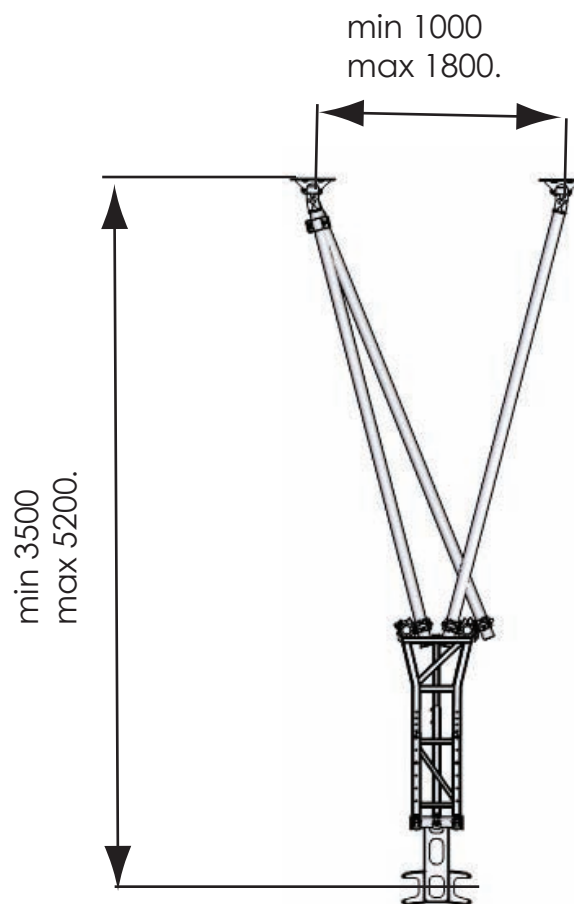
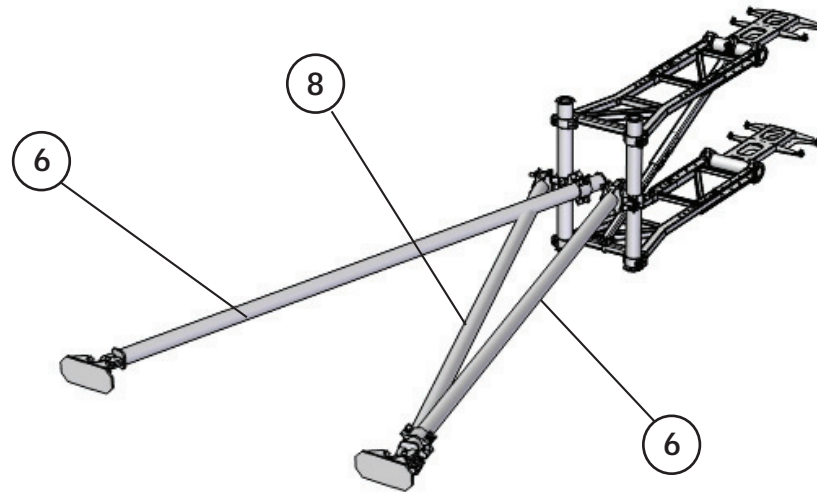
4.41

NO	QTY	DESCRIPTION	SCANCODE
1	2	Anchoring grip	PG115138
2	2	Anchoring frame	PG115172
3	2	Anchoring frame II	PG114945
4	2	Pipe complete	PG115200
5	2	Wall bracket complete	PG115249
6	2	Anchoring pipe I complete	PG115248
7	1	Connector complete	PG115266
8	1	Pipe	PG115267
9	16	Washer 13 Fe/Zn12bcA	10006196
10	16	Spring washer 12,2 Fe/Zn12bcA	10006243
11	16	Nut M12 8 A4J	10006343
12	8	Screw M12x70 8.8 A4J	10005763
13	8	Screw M12x30 8.8 A4J	10005734
14	4	Rotating joint 76x76	10000697

4.42

VERTICAL ANCHORING L-3,5-5,2 m

PG118369



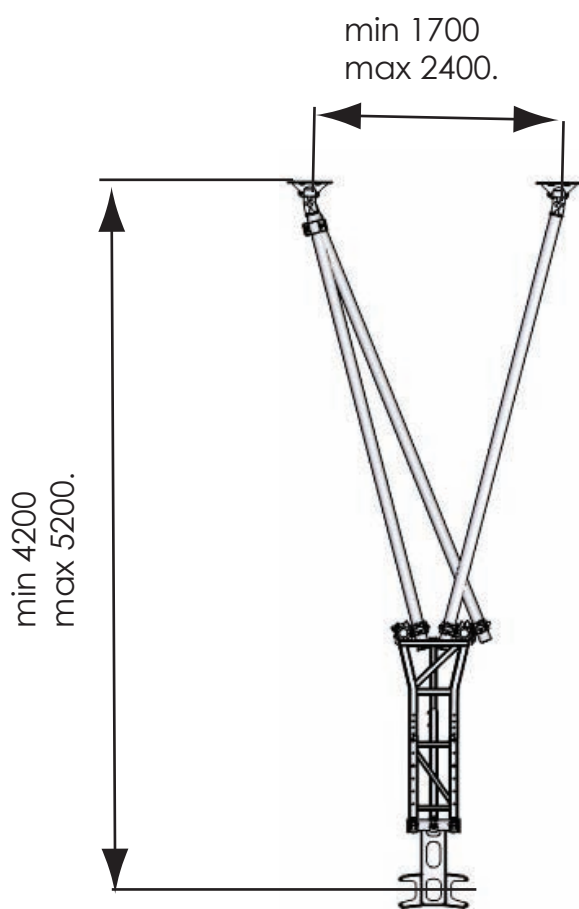
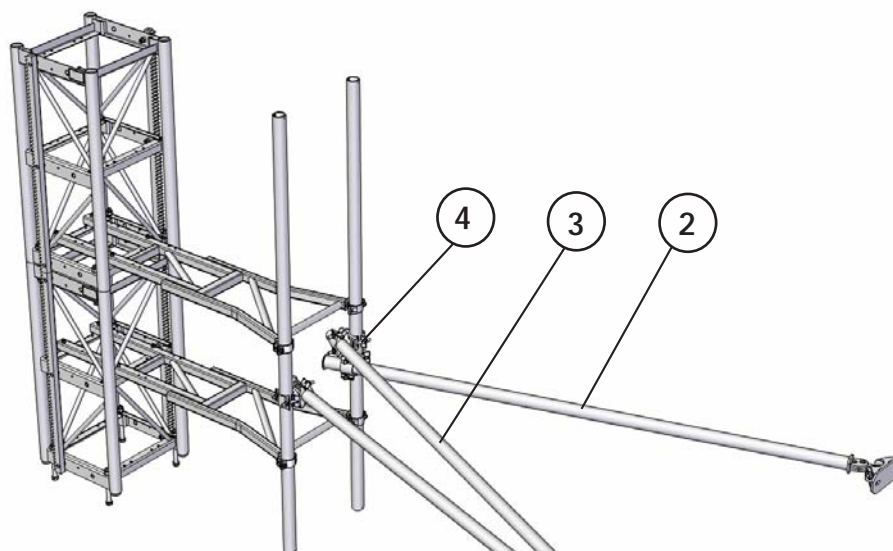
NO	QTY	DESCRIPTION	SCANCODE
6	2	Anchoring pipe I complete	PG118370
8	1	Pipe	PG118372

The rest elements of this anchoring is the same as in 4.41

4.43

VERTICAL ANCHORING L-4,2-5,2 m

PG117300

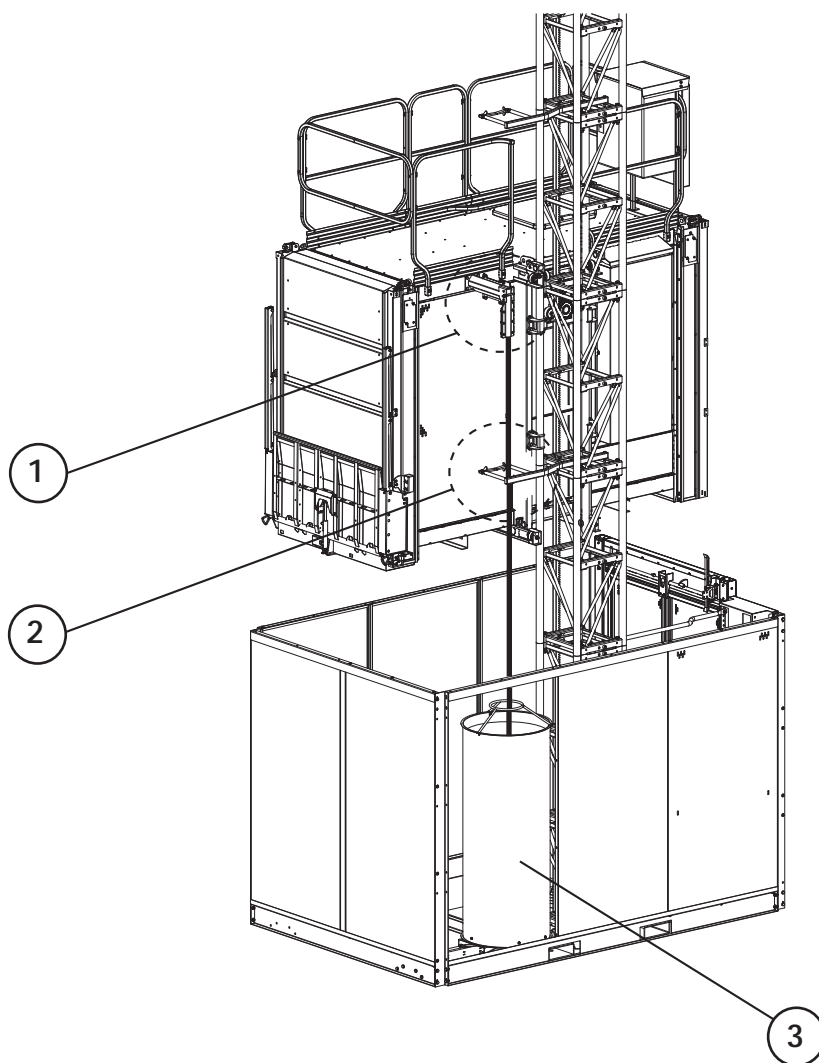


SCANCLIMBER®

NO	QTY	DESCRIPTION	SCANCODE
1	2	Wall grip complete	PG115249
2	2	Anchoring pipe II	PG117301
3	1	Pipe	PG117302
4	4	Rotating joint 76	PG116811

5

CABLE GUIDE

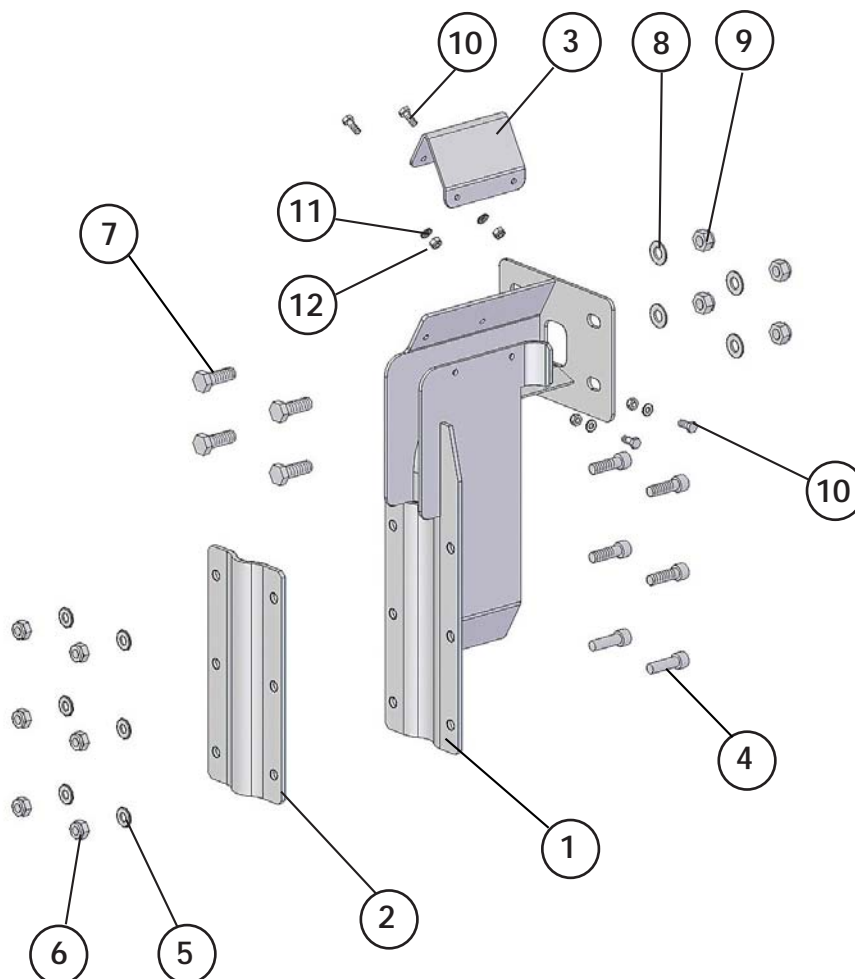


NO	QTY	DESCRIPTION	SCANCODE
1	1	Cable holder on the cage	PG118850
2	1	Cable guide	PG116679
3	1	Cable drum (see chapter 1.5)	PG119644

5.1

CABLE HOLDER ON THE CAGE

PG118850

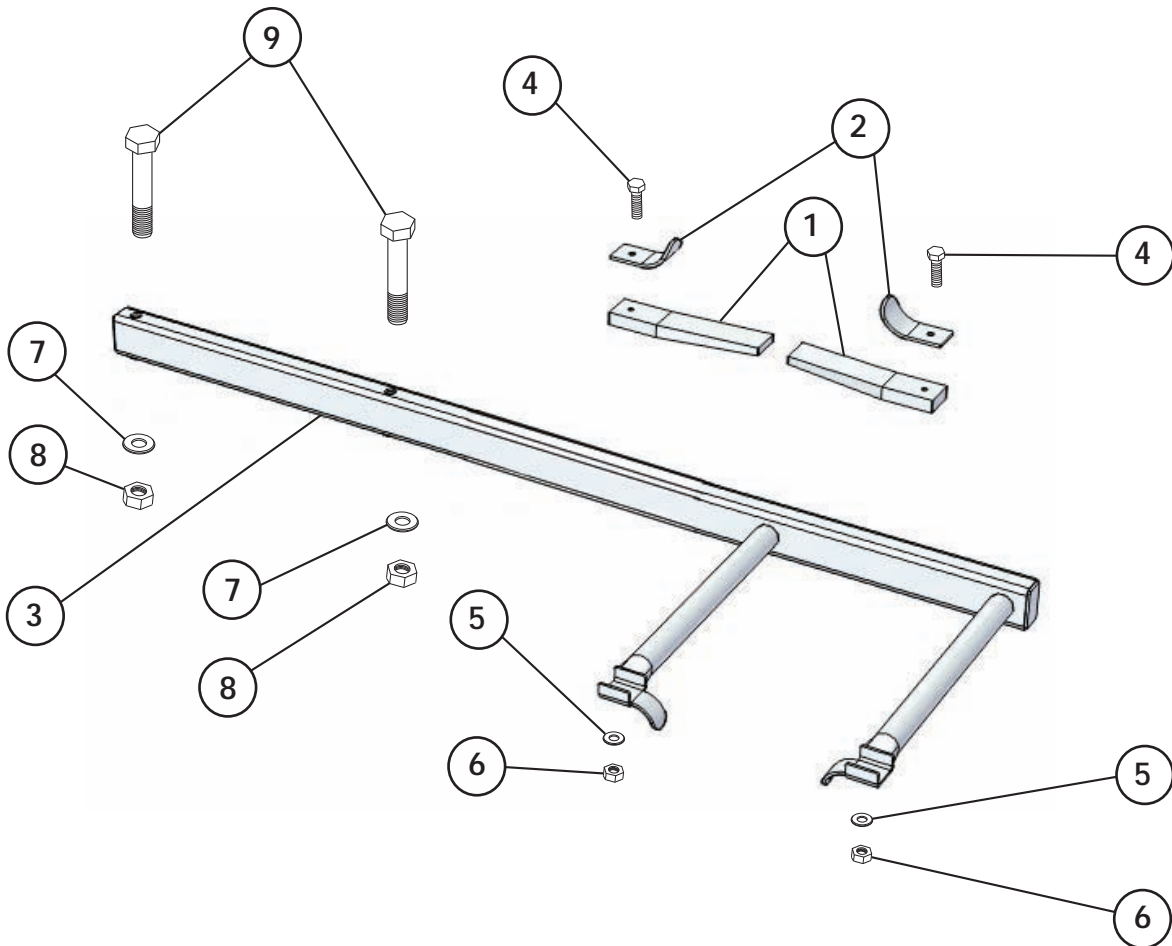


NO	QTY	DESCRIPTION	SCANCODE
1	1	Cable holder	PG118812
2	1	Sheet metal	PG106249
3	1	Cover	PG118864
4	6	Screw M10x35 8.8 A4J	10005668
5	6	Washer 10,5 Fe/Zn12bcA	10006186
6	6	Nut M10 8B A4J	10006286
7	4	Screw M12x35 8.8 A4J	10005738
8	4	Washer 13 Fe/Zn12bcA	10006196
9	4	Nut M12 8 A4J	10006291
10	4	Screw M6x8 8.8 A4J	10005487
11	4	Washer 6,4 Fe/Zn12bcA	10006176
10	4	Nut M6 8B A4J	10006278

5.2

CABLE GUIDE COMPLETE

PG116679

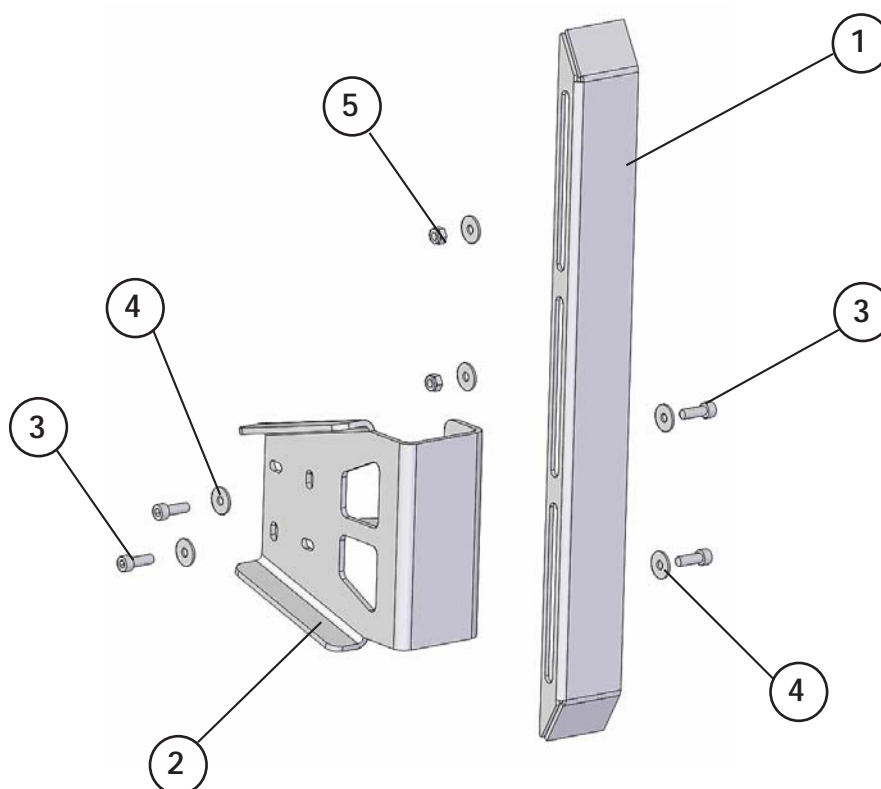


NO	QTY	DESCRIPTION	SCANCODE
1	2	Elastic limiter	PG102558
2	2	Plate	PG102557
3	1	Cable guide frame	PG116678
4	2	Screw M5x30 8.8 A4J	10005467
5	2	Washer 5,3 Fe/Zn12bcA	10006171
6	2	Nut M5 5B A4J	10006273
7	2	Washer 13 Fe/Zn12bcA	10006196
8	2	Nut M12 8B A4J	10006291
9	2	Screw M12x75 8.8 A4J	10005764

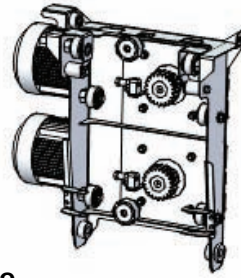
6

CAM ON THE CAGE

PG116421



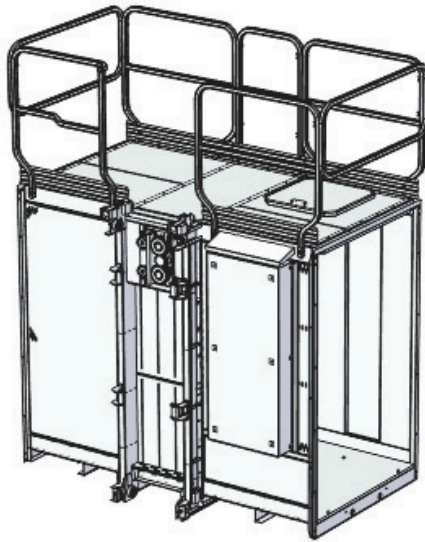
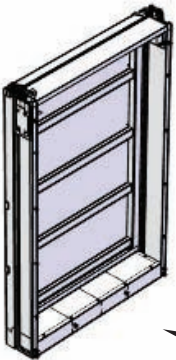
NO	QTY	DESCRIPTION	SCANCODE
1	1	Cam	PG103984
2	1	Holder	PG117633
3	4	Screw M6x18 A2-70	10005501
4	2	Nut M6 8 A4-70	10006279
5	6	Washer 6-200 HV A4J	10006177



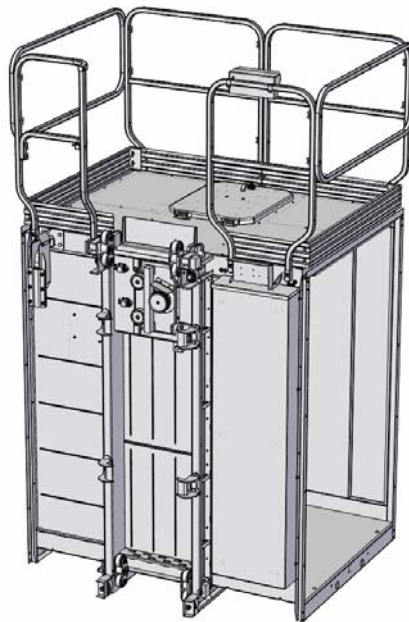
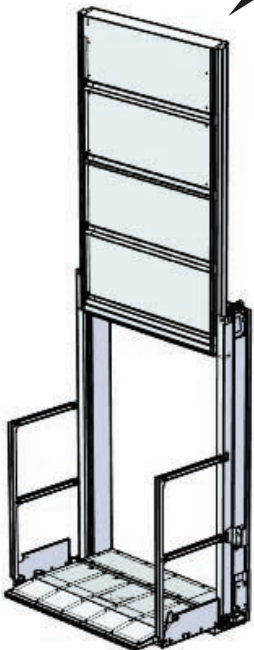
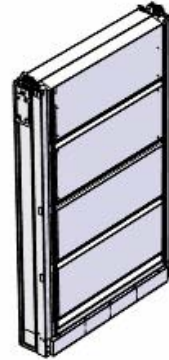
DRIVE - DUAL MOTOR

EXIT GATE

CAGE SC1432



ENTRANCE GATE



CAGE SC1424

ELECTRIC-HYDRAULIC OPERATED
LOAD RAMP

7

CAGE

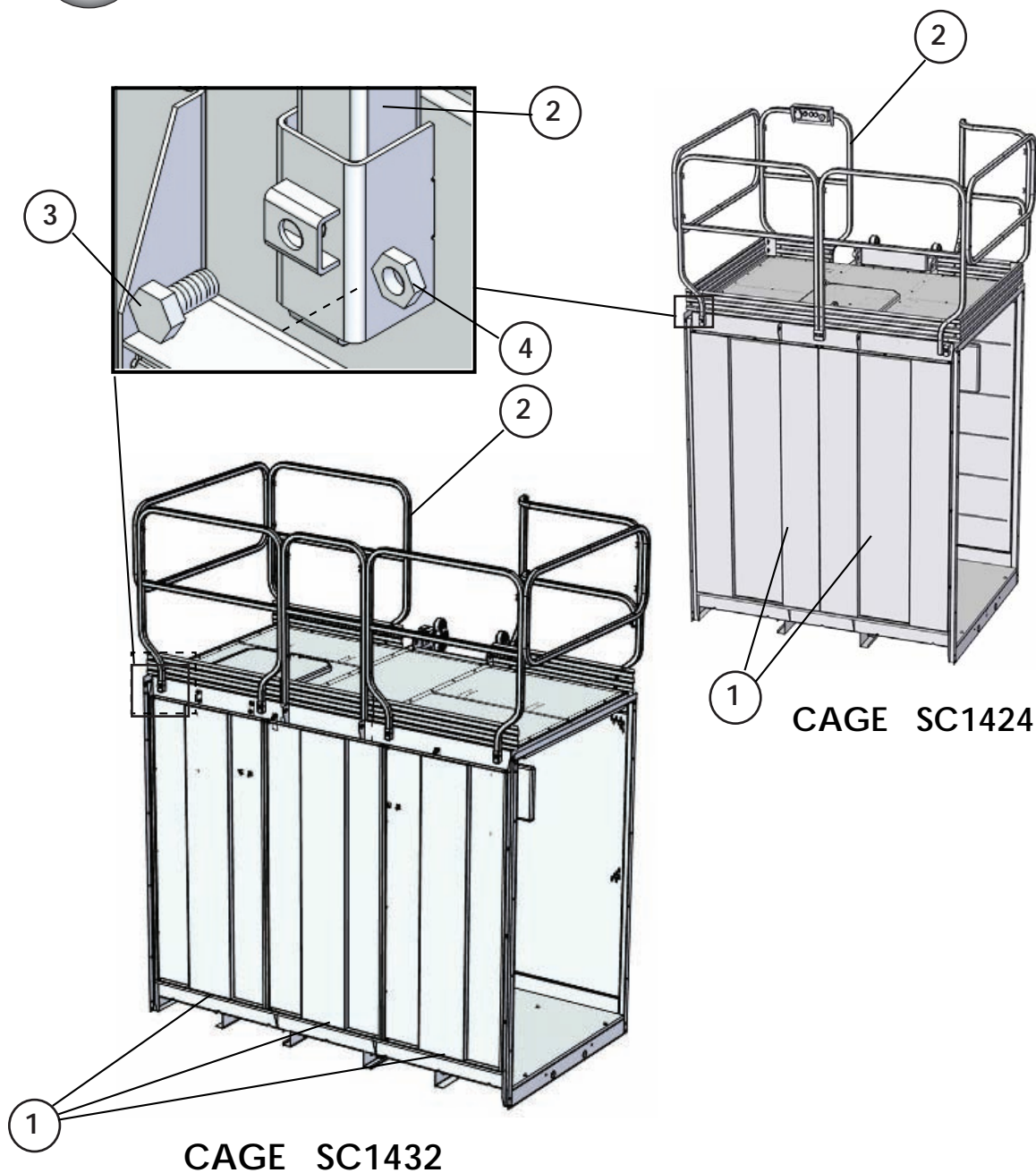
Part 1

SCXX32

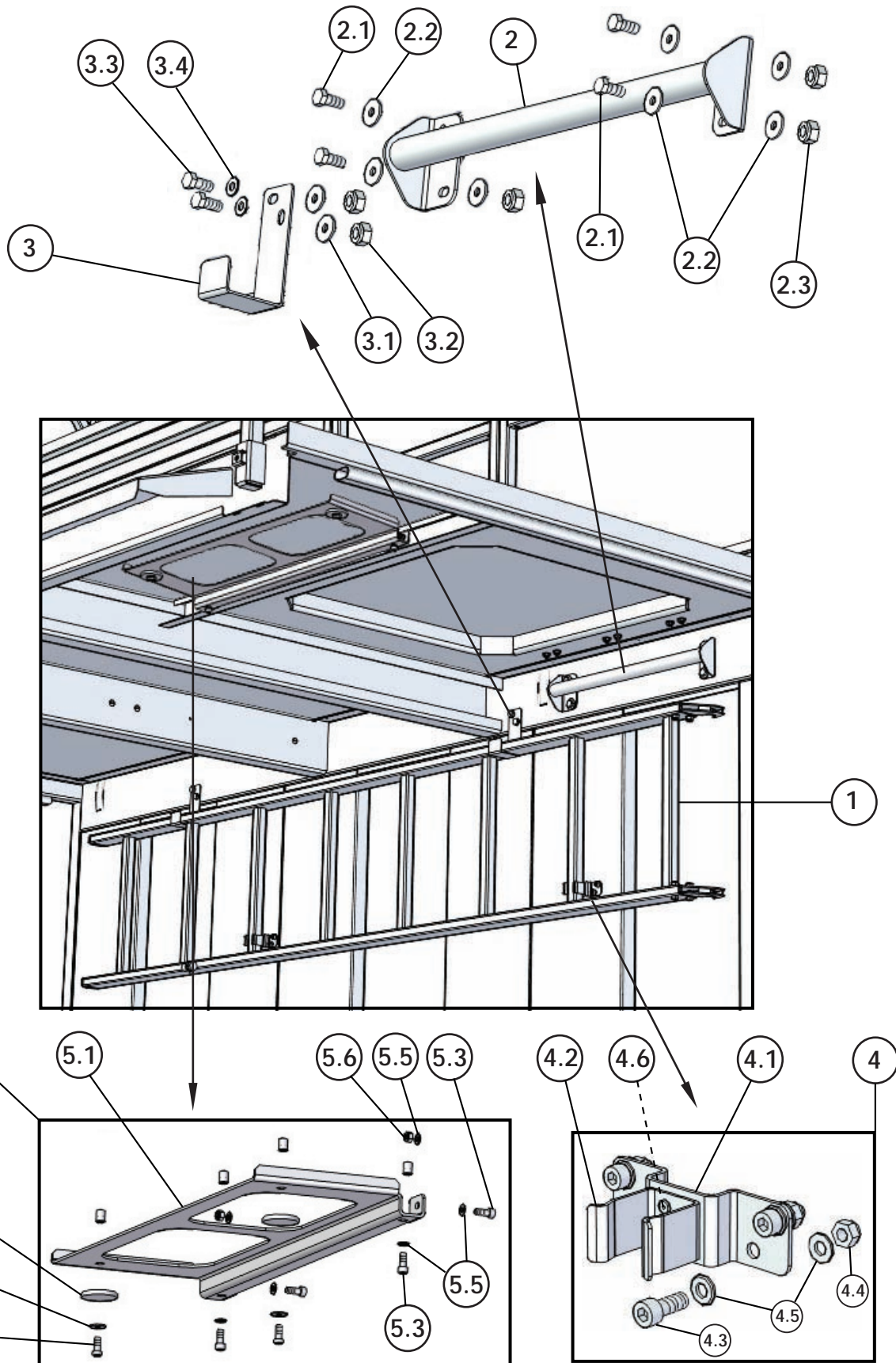
PG116319

SCXX24

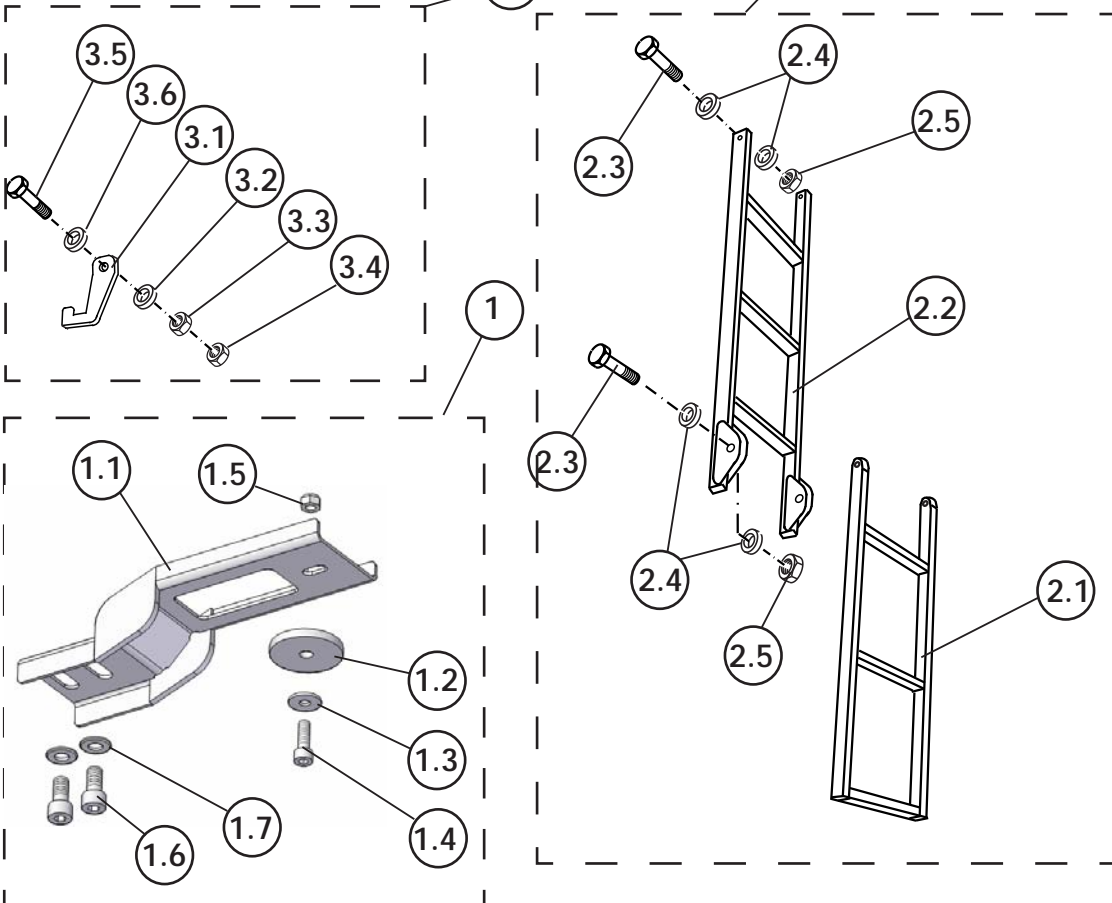
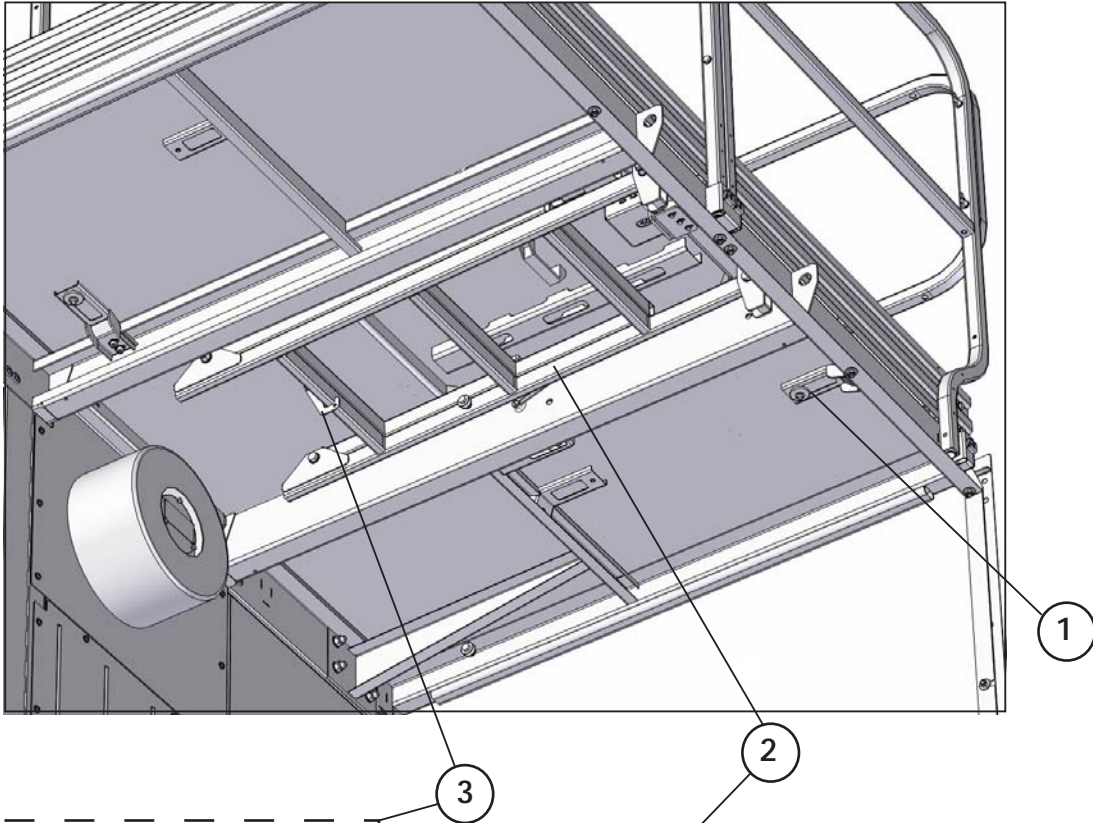
PG117297



NO	QTY	DESCRIPTION	SCANCODE
1	3	Wall panel SC1432	PG114575
	2	Wall panel SC1424	PG117295
2	1	Railings assembly SC1432	PG114702
	1	Railings assembly SC1424	PG122539
3	8	Screw M10x20 8.8	10007659
4	8	Nut M10 A4J	10006333



NO	QTY	DESCRIPTION	SCANCODE
1	1	Ladder complete	PG 116566
2	1	Ladder hook	PG116555
2.1	4	Screw M8x20 8.8	10007354
2.2	8	Washer 8-200 HV A4	10006181
2.3	4	Nut M8 8B A4J	10006281
3	2	Ladder console	PG116550
3.1	2	Washer 8-200 HV A4	10006181
3.2	2	Nut M8 8B A4J	10006281
3.3	2	Screw M8x20 8.8	10007354
3.4	2	Washer 8,4 A4	10006179
4	2	Holder complete	PG116559
4.1	1	Sheet metal	PG116556
4.2	1	Catch	PG116557
4.3	4	Screw M6x16 A4-70	10005503
4.4	4	Nut M6 A4-70	10006279
4.5	8	Washer 6,4 A4	10006176
4.6	2	Rivet 3x8 FE/FE	10006489
5	2	Lamp console	PG116732
5.1	1	Console	PG116731
5.2	2	Rubber washer	PG116410
5.3	6	Screw M6x16 A4-70	10005503
5.4	2	Washer 6-200 HV A4J	10006177
5.5	6	Washer 6,4 A4	10006176
5.6	2	Nut M6 A4-70	10006279



NO	QTY	DESCRIPTION	SCANCODE
1	4	Lamp console	PG116415
1.1	1	Console	PG116414
1.2	1	Rubber washer	PG116410
1.3	1	Washer 6-200 HV A4J	10006177
1.4	1	Screw M6x18 A2-70	10007710
1.5	1	Nut M6 A4-70	10006279
1.6	2	Screw M8x16 A2-70	10005546
1.7	2	Washer 8,4 A4	10006178
2	1	Ladder	PG102577
2.1	1	Frame 1	PG102567
2.2	1	Frame 2	PG102570
2.3	4	Screw M12x50-8.8	89024001
2.4	8	Washer 13	89102801
2.5	4	Nut M12-8	89206800
3	1	Hook assembly	PG102576
3.1	1	Hook	PG102571
3.2	1	Spring washer	89106920
3.3	1	Nut M6-8	89203400
3.4	1	Nut M6-8	89200501
3.5	1	Screw M6x25-8.8	89006610
3.6	1	Washer 6,4	89101301

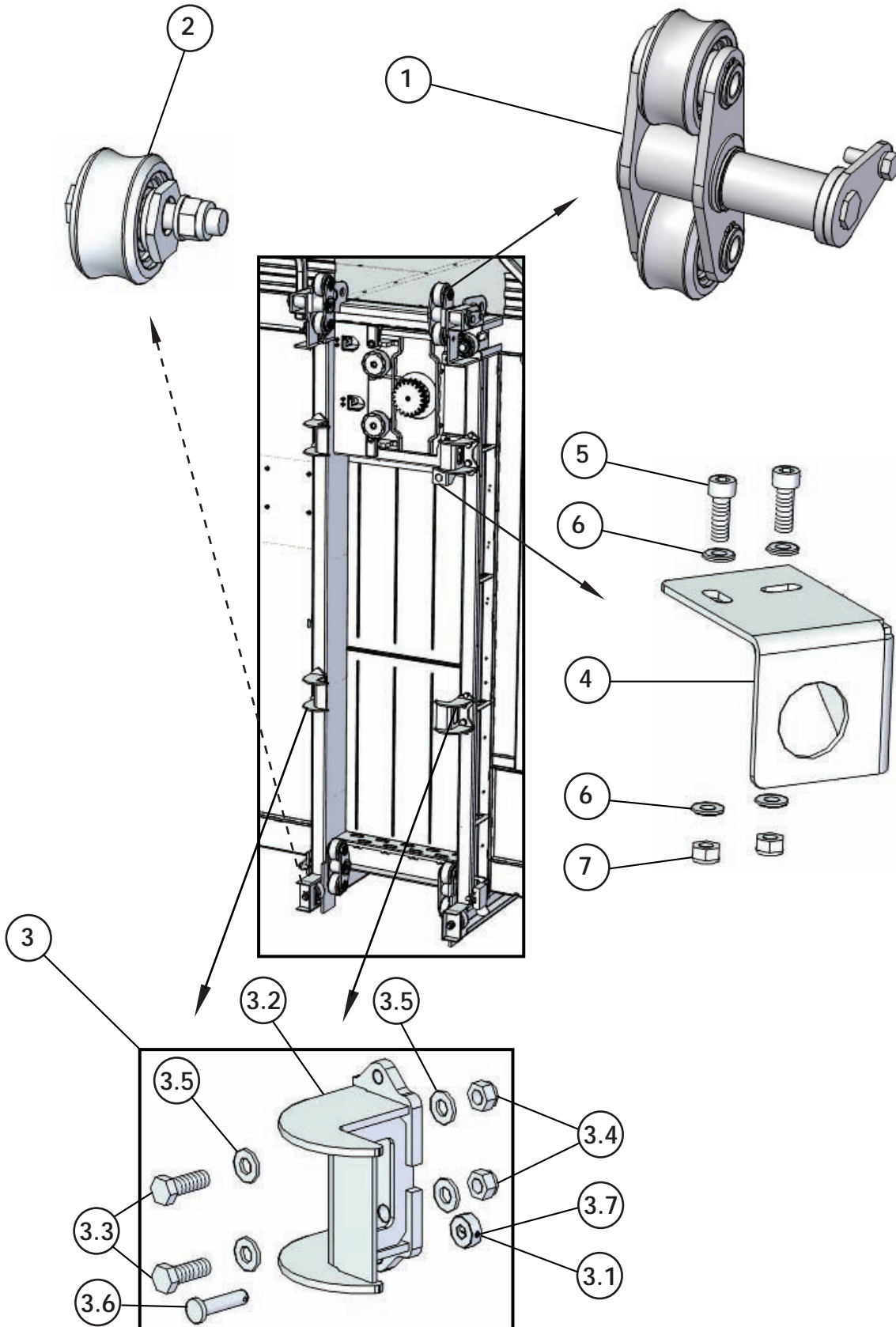
7

CAGE

Part 4

SCXX32
SCXX24

PG116319
PG117297



NO	QTY	DESCRIPTION	SCANCODE
1	4	Rocking lever complete	PG 116313
2	4	Roller I complete	PG115465
3	4	Catch complete	PG114779
3.1	1	Sleeve	PG114770
3.2	1	Catch	PG 114776
3.3	2	Screw M12x35 8.8 A4J	10005738
3.4	2	Nut M12 8B A4J	10006291
3.5	4	Washer 13 HV	10006199
3.6	1	Pin B 10x45x40 Fe/Zn12bcA	10006459
3.7	1	Pin 4x24	10006423
4	1	Sensor console	PG116450
5	2	Screw M6x18 A2-70	10007710
6	4	Washer 6,4 A4	10006176
7	2	Nut M6 A4-70	10006279

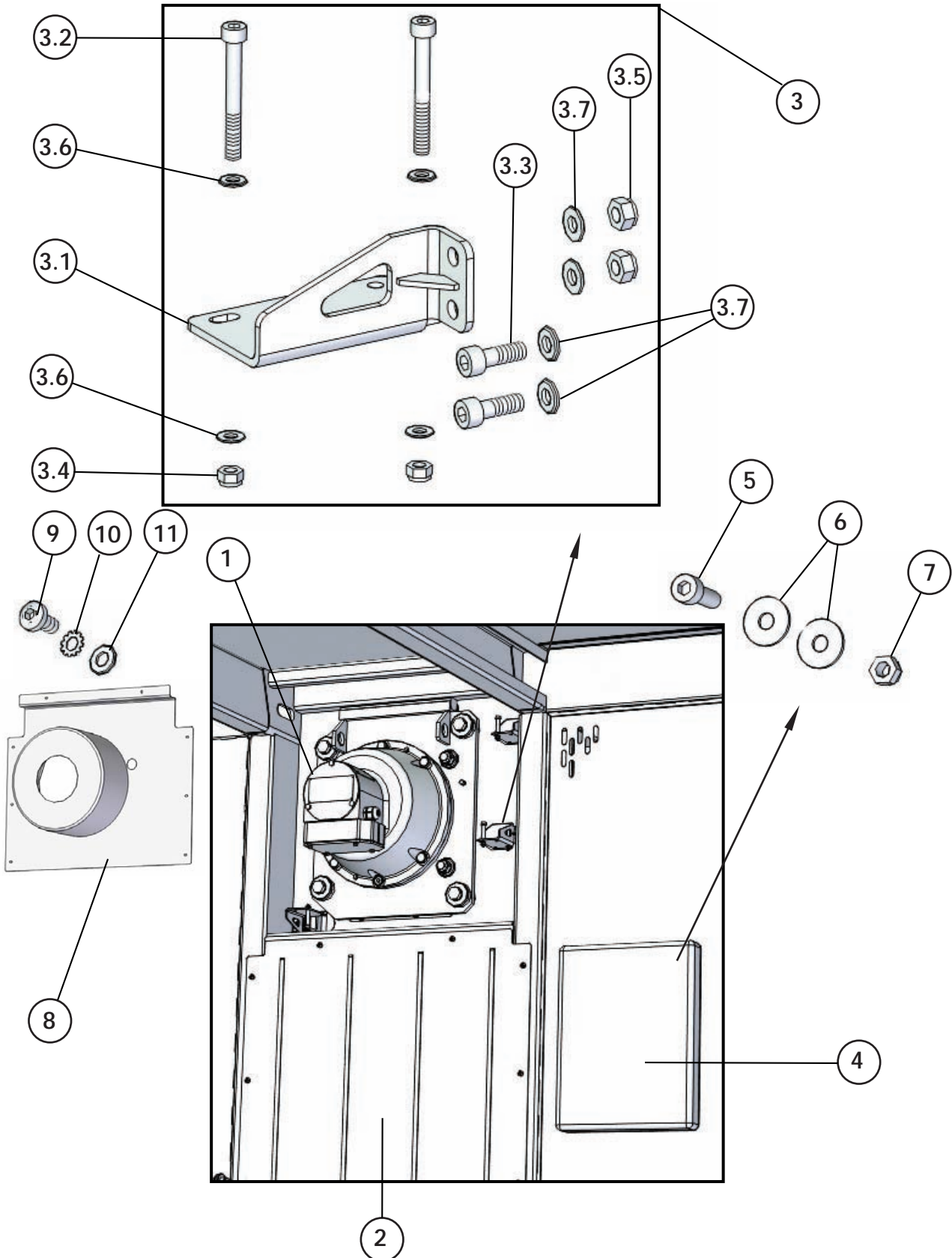
7

CAGE

Part 5

SCXX32
SCXX24

PG116319
PG117297



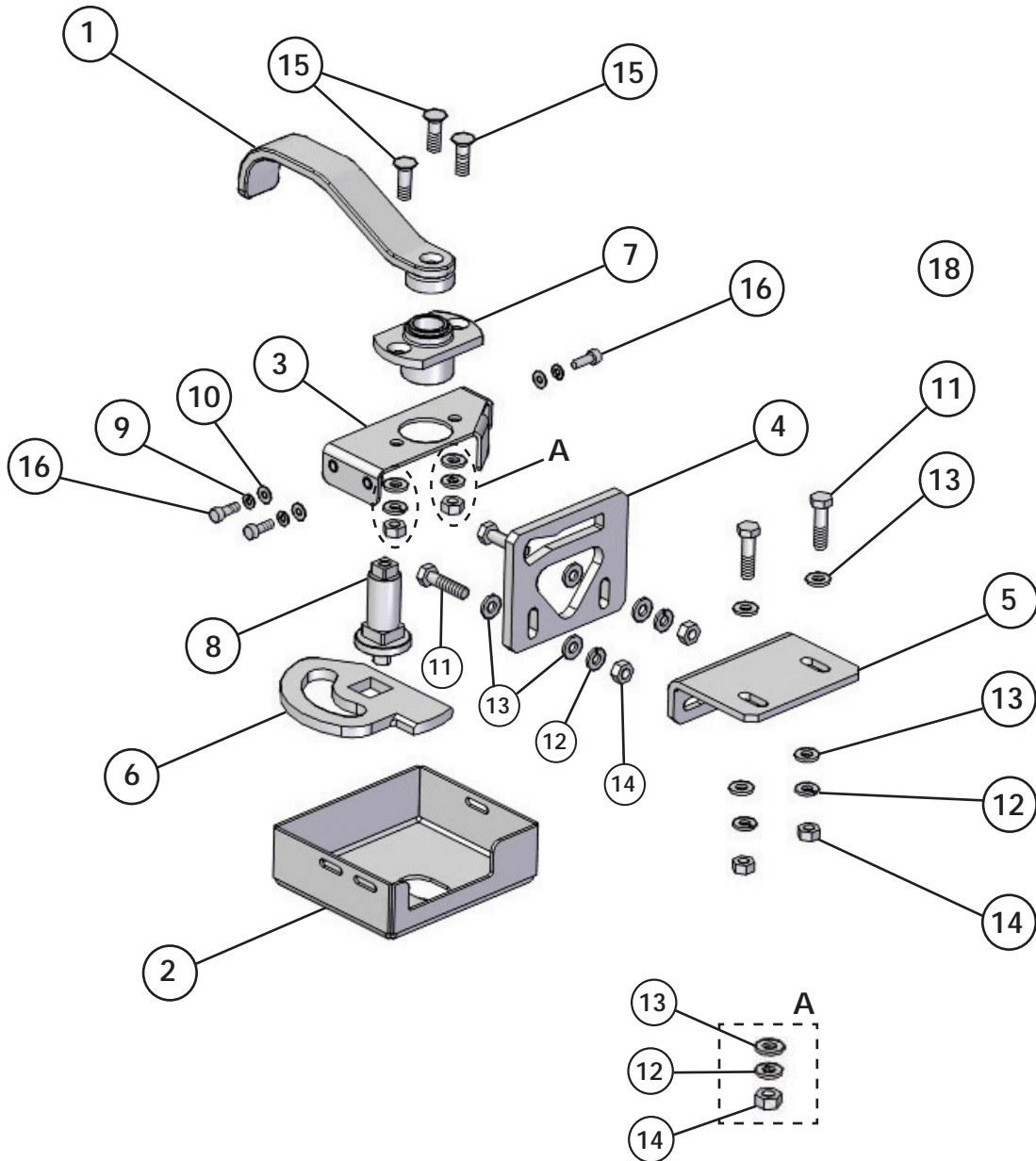
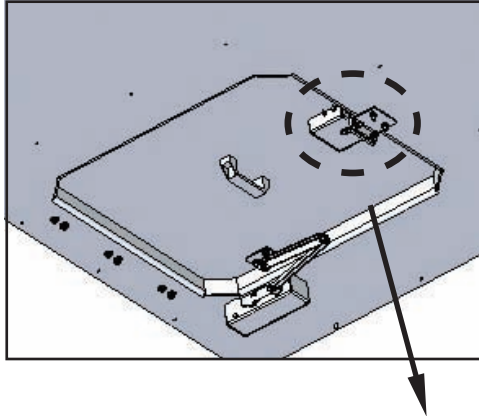
NO	QTY	DESCRIPTION	SCANCODE
1	1	Safety device assembly	PG116212
2	2	Middle cover	PG114866
3	3	Console of connector	PG116541
3.1	1	Console	PG116540
3.2	2	Screw M5x45 8.8 A4J	10005477
3.3	2	Screw M6x18 A2-70	10007710
3.4	2	Nut M5 A2-70	10006274
3.5	2	Nut M6 A2-70	10006279
3.6	4	Washer 5,3 A2	10006172
3.7	4	Washer 6,4 A4	10006176
4	1	Box for documents 50x280x360 -25°	10000873
5	4	Screw M5x16 A4-70	10007710
6	8	Washer 5,3 A2	10006172
7	4	Nut M5 A4-70	10006274
8	1	Cover	PG117582
9	8	Screw M5x16 ISO 7380	10005453
10	8	Tothed lock witch ext. teetch 5,3	10006232
11	8	Washer 5,3 A2	10006172

7.1

LOCK OF HATCH

SCXX32
SCXX24

PG116993
PG116993



7.1

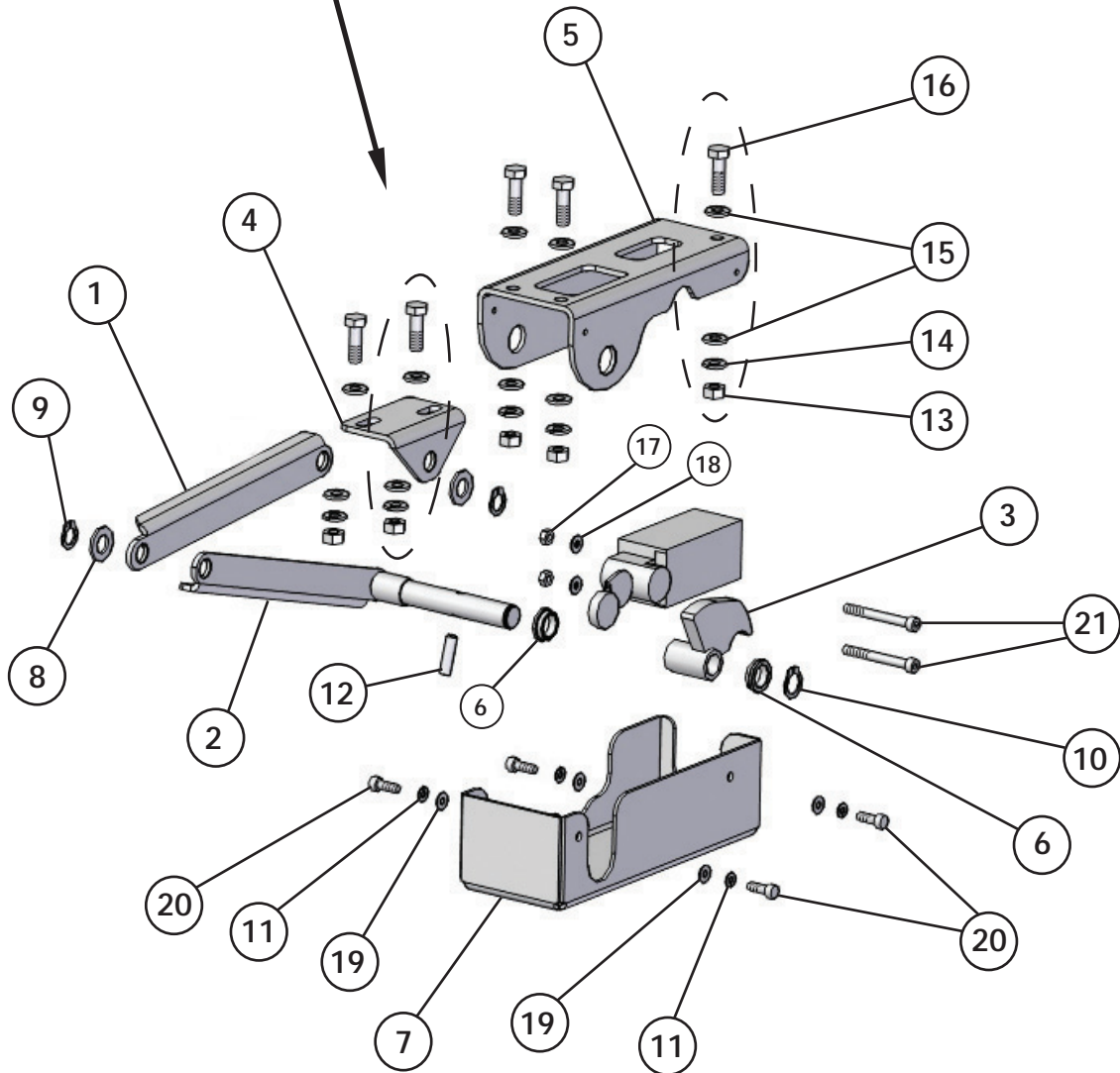
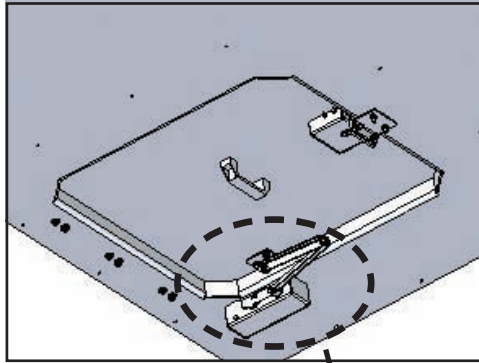
NO	QTY	DESCRIPTION	SCANCODE
1	1	Handle	PG116888
2	1	Box	PG116942
3	1	Holder	PG116947
4	1	Sheet metal	PG116941
5	1	Sheet metal	PG116939
6	1	Lock	PG116881
7	1	Case	PG116948
8	3	Pin	PG116880
9	3	Washer 4,3 Fe/Zn12bcA	10006168
10	3	Spring washer Z 4,1 Fe/Zn12bcA	10006227
11	4	Screw M6x25 8.8A4J	10005513
12	6	Spring washer Z 6,1 Fe/Zn12bcA	10006233
13	10	Washer 6,4 Fe/Zn12bcA	10006175
14	6	Nut M6 A4J	10006319
15	3	Screw M6x20 8.8	10007387
16	3	Screw M4x12 8.8A4J	10005431

7.2

HATCH CONTROL

SCXX32
SCXX24

PG117078
PG117972

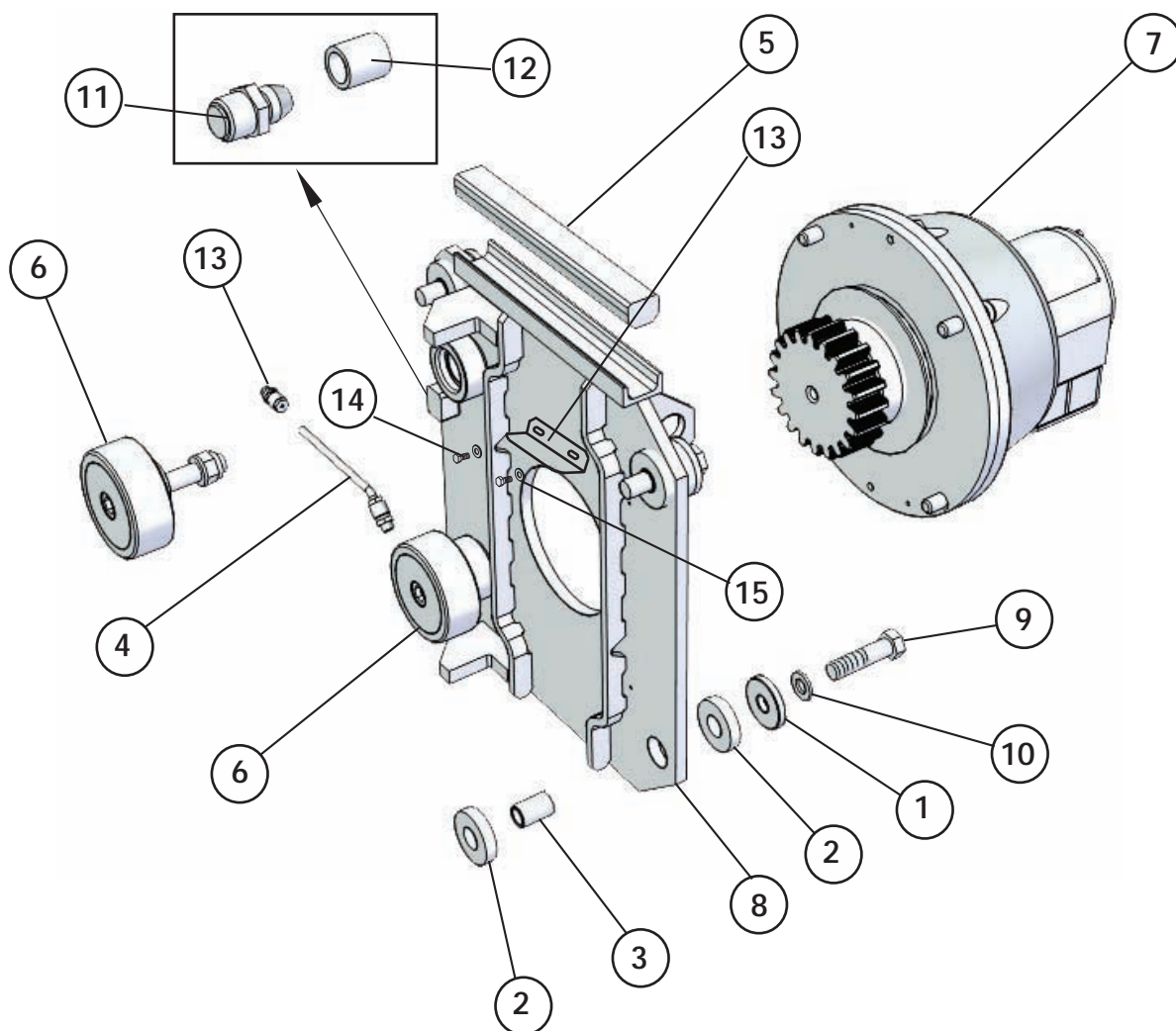


HATCH CONTROL SCXX32 PG117078

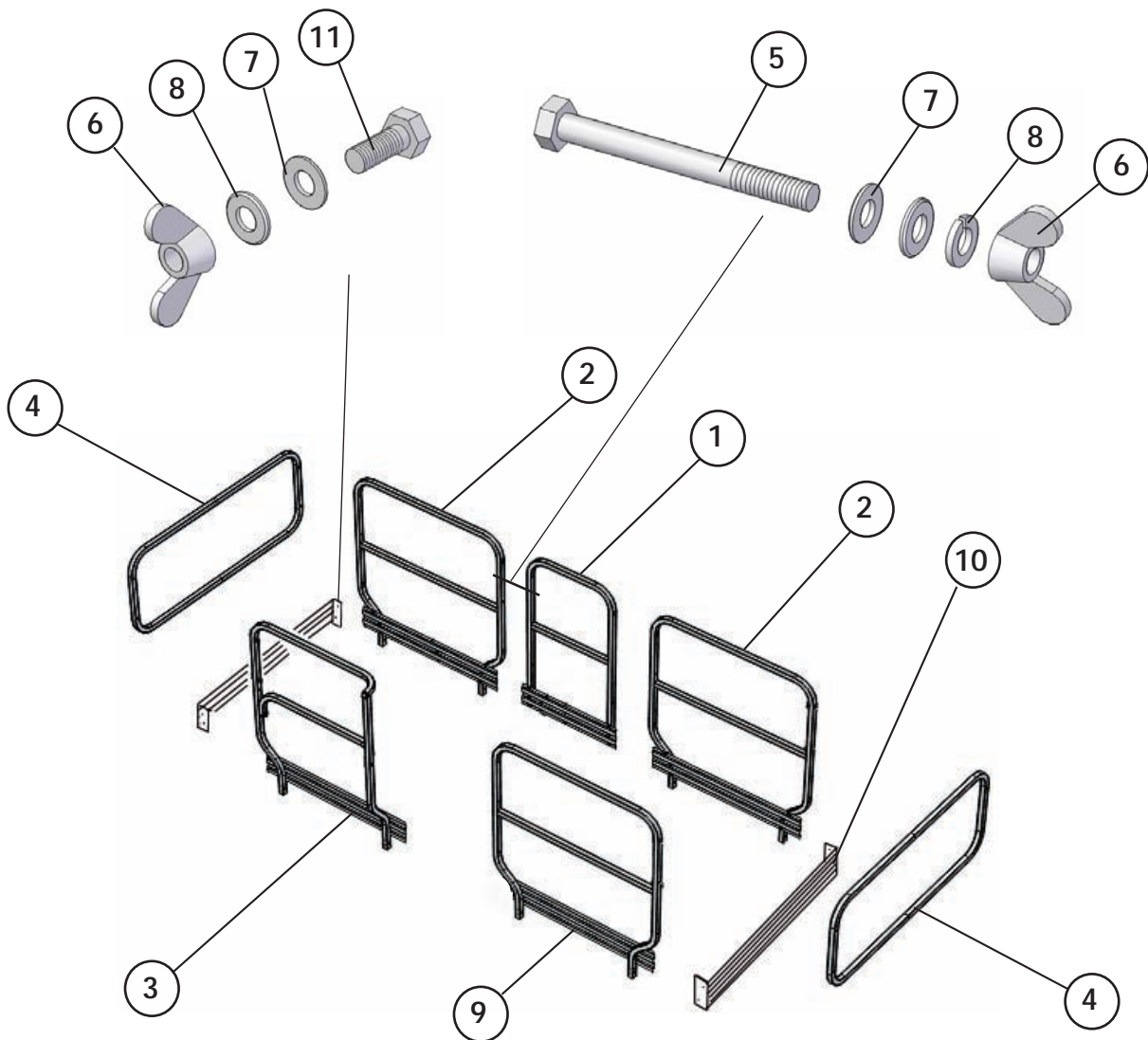
NO	QTY	DESCRIPTION	SCANCODE
1	1	Lever II	PG117072
2	1	Lever	PG117070
3	1	Cam complete	PG117056
4	1	Holder	PG117073
5	1	Holder of hatch controle	PG117035
6	2	Sleeve	PG117036
7	1	Cover	PG117032
8	2	Washer 10,5 Fe/Zn 12bcA	10007772
9	2	Retaining ring Z10	10000885
10	1	Retaining ring Z12	10000886
11	4	Spring washer Z 4,1 Fe/Zn12bcA	10006227
12	1	Pin 5x20	10006428
13	5	Nut M6 8 A4J	10006319
14	5	Spring washer Z 6,1 Fe/Zn12bcA	10006233
15	10	Washer 6,4 Fe/Zn 12bcA	10006175
16	5	Screw M6x20 8.8 A4J	10005510
17	2	Nut M4 8 A4J	10006311
18	2	Tothed lock witch ext. teetch 8,4 Fe/Zn12bcA	10006229
19	6	Washer 4,3 Fe/Zn 12bcA	10006168
20	4	Screw M4x12 8.8 A4J	10005431
21	2	Screw M4x40 8.8 A4J	10005441

HATCH CONTROL SCXX24 PG117972

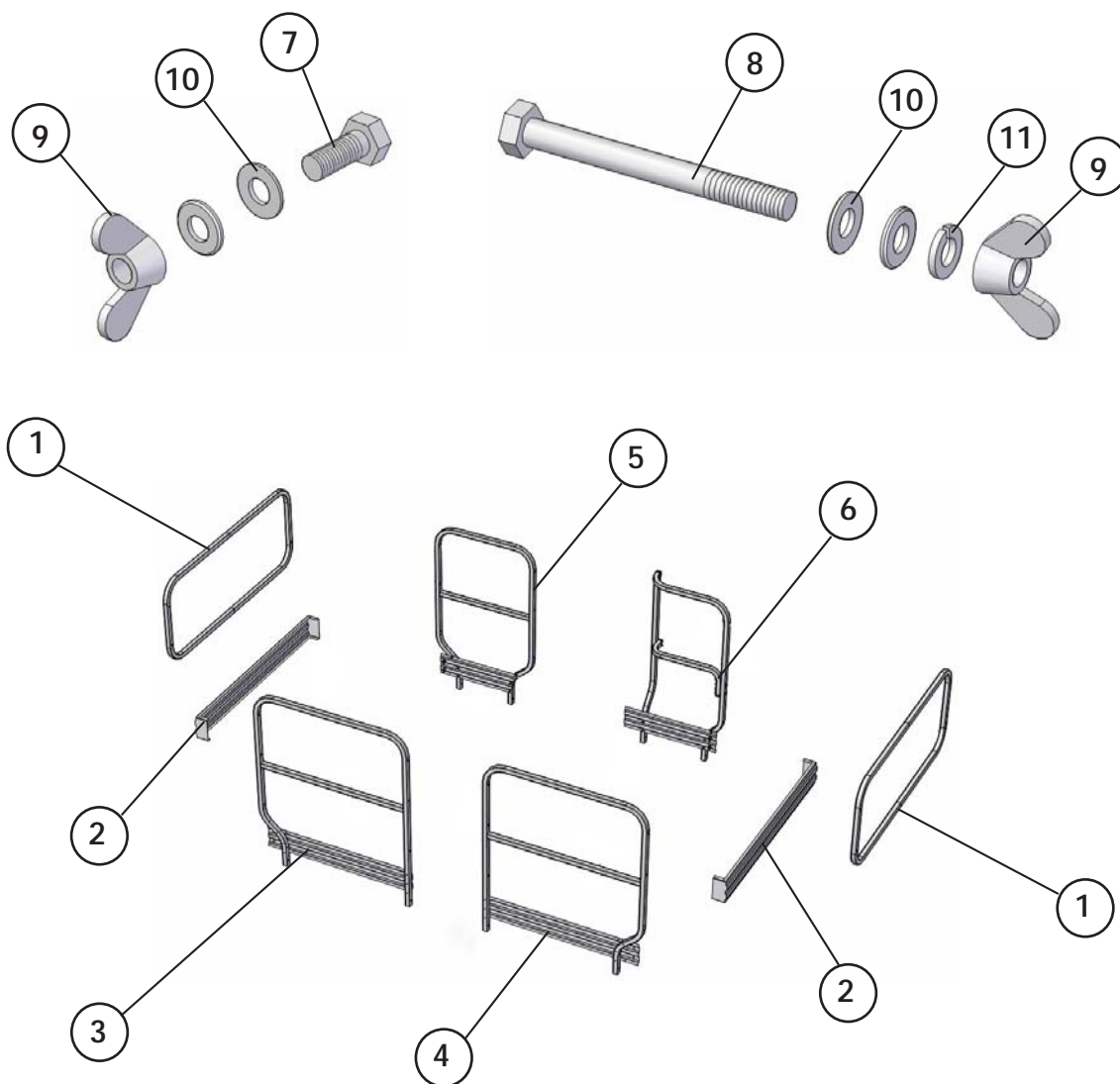
NO	QTY	DESCRIPTION	SCANCODE
1	1	Lever II	PG117072
2	1	Lever	PG117974
3	1	Cam complete	PG117056
4	1	Holder	PG117073
5	1	Holder of hatch controle	PG117035
6	2	Sleeve	PG117036
7	1	Cover	PG117032
8	2	Washer 10,5 Fe/Zn 12bcA	10007772
9	2	Retaining ring Z10	10000885
10	1	Retaining ring Z12	10000886
11	4	Spring washer Z 4,1 Fe/Zn12bcA	10006227
12	1	Pin 5x20	10006428
13			
14	5	Spring washer Z 5,3 Fe/Zn12bcA	10006232
15	5	Washer ISO 7093-1-5-200 HV A4J	10006174
16	5	Screw M5x12 8.8 A4J	10005453
17	2	Nut M4-A2-70	10006272
18	2	Washer ISO 7089-4-200 HV A4J	10006169
19	6	Washer 4,3 Fe/Zn 12bcA	10006168
20	4	Screw M4x8 8.8 A4J	10005426
21	2	Screw M4x40 8.8 A4J	10005441



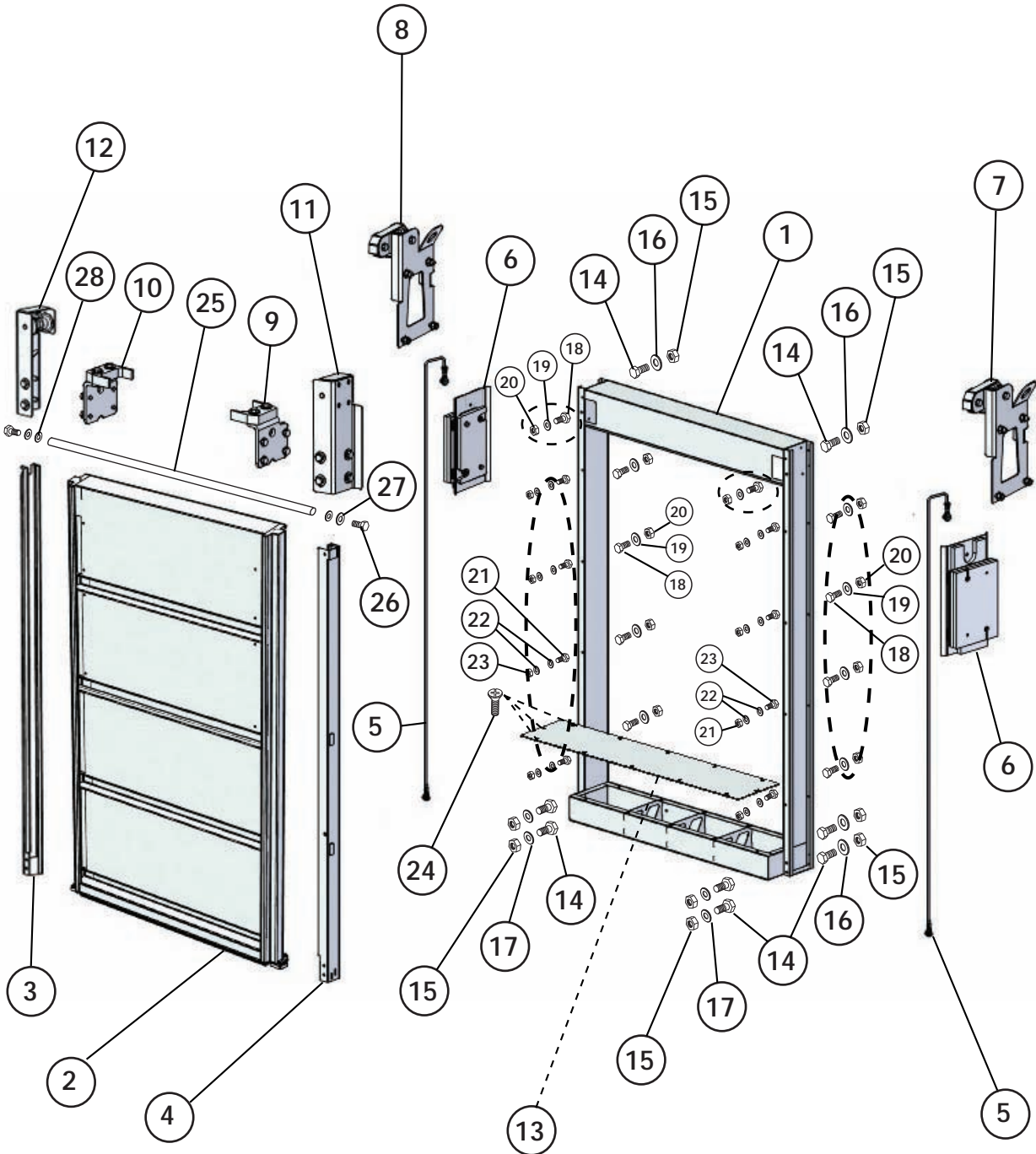
NO	QTY	DESCRIPTION	SCANCODE
1	4	Washer	PG100624
2	8	Rubber washer	PG100625
3	4	Distance sleeve	PG100645
4	1	Lubrication cable	PG114707
5	1	Rubber band	PG114646
6	2	Support wheel assembly	PG114706
7	1	Safety device UC 3.0	PG116155
8	1	Plate UC	PG116206
9	4	Screw M16x65 8.8	10005820
10	4	Washer 17 HV	10006203
11	1	Lubrication M8x1 Fe/Zn 5c	10000726
12	1	Lubrication cover	10000729
13	1	Simple connector GEK 6x1	10000459
14	1	Cover	PG117244
15	2	Screw M6x16 8.8 A4J	10005499
16	2	Washer 6,4 A4 A4J	10006176



NO	QTY	DESCRIPTION	SCANCODE
1	1	Railing short complete	PG114691
2	2	Railing complete	PG114701
3	1	Railing special complete	PG115375
4	2	Railing front complete	PG116364
5	8	Screw M8x80 8.8 A4J	10005622
6	16	Wing nut M8 A2	10006304
7	24	Washer 8,4 A4	10006179
8	16	Spring washer Z 8,2 A2	10006237
9	1	Railing complete	PG116715
10	2	Apron	PG117412
11	8	Screw M8x25 A2-70	10005557



NO	QTY	DESCRIPTION	SCANCODE
1	2	Railing front complete	PG116364
2	2	Apron	PG117412
3	1	Railing complete I	PG118019
4	1	Railing complete II	PG118021
5	1	Railing complete III	PG118031
6	1	Railing special complete	PG122518
7	8	Screw M8x20 8.8 A7L	10007783
8	10	Screw M8x80 8.8 A4J	10005622
9	18	Wing nut M8 A2	10006303
10	36	Washer ISO 7089-8-200 HV	10006178
11	8	Spring washer Z 8,2	10006236



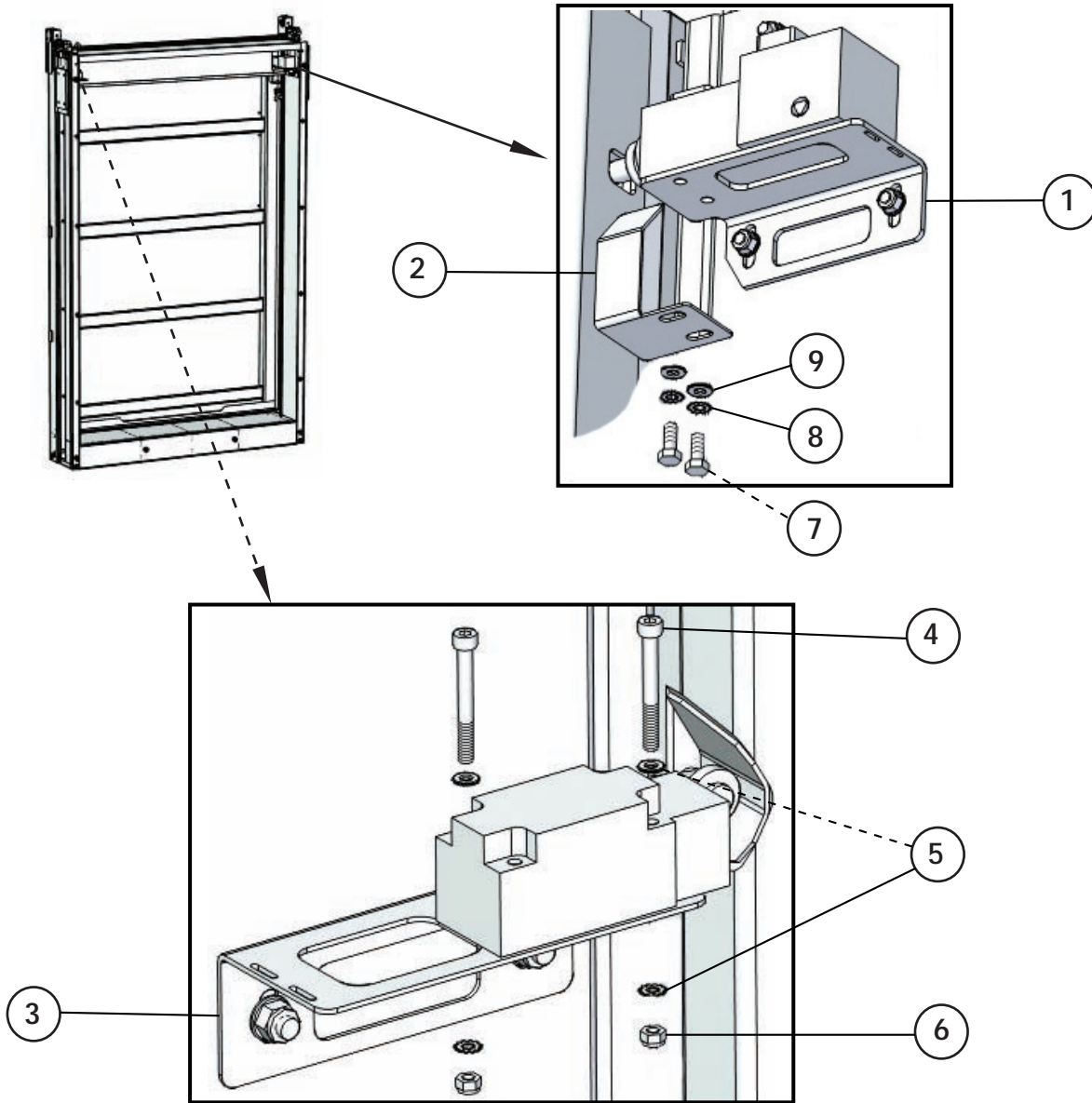
NO	QTY	DESCRIPTION	SCANCODE
1	1	Door frame	PG114578
2	1	Cage door complete	PG114734
3	1	Fence of cage door	PG114682
4	1	Fence of cage door	PG114679
5	2	Door wire complete	PG114733
6	2	Counterweight	PG114589
7	1	Wire wheel assembly II	PG120379
8	1	Wire wheel assembly I	PG120371
9	1	Top console assembly II	PG116688
10	1	Top console assembly I	PG116686
11	1	Console of door II complete	PG120389
12	1	Console of door I complete	PG120384
13	1	Doorstep cover	PG114590
14	12	Screw M12x25 8.8 A4J	10005728
15	12	Nut M12 8B A4J	10006291
16	4	Washer 13 A4	10006198
17	10	Washer 13 HV	10006199
18	10	Screw M8x16 .8 A4J	10005542
19	12	Washer 8,4 A4	10006179
20	10	Nut M8 8B A4J	10006281
21	8	Screw M6x16 .8 A4J	10005499
22	16	Washer 6,4 A4	10006176
23	8	Nut M6 8B A4J	10006278
24	12	Tap screw M8x16 8.8 A4J	10007335
25	1	Pipe	PG119256
26	2	Screw M10x30 A4-80	10005658
27	2	Spring washer Z10,2	10006240
28	2	Washer 13	10006198

8

DOOR FRAME COMPLETE

PG114745

Part 2

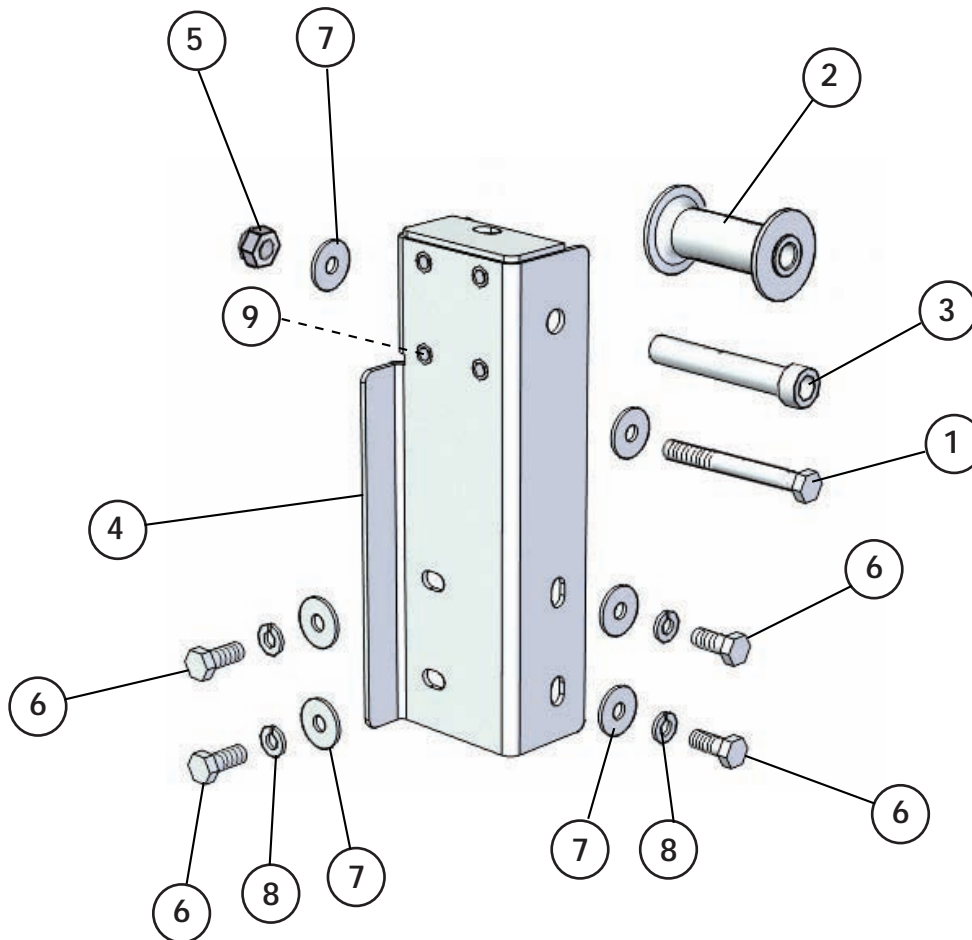


NO	QTY	DESCRIPTION	SCANCODE
1	1	Sensor bracket	PG114640
2	1	Cover	PG116697
3	1	Console of door connector	PG114672
4	2	Screw M5x45 8.8 A4J	10005477
5	2	Washer 5,3 A4	10006173
6	2	Nut M5 A4	10006275
7	2	Screw M8x20 A4-70	10005550
8	4	Lock washer with external teeth	10006238
9	12	Washer 8,4 A4	10006179

8.1

DOOR CONSOLE I COMPLETE

PG120384

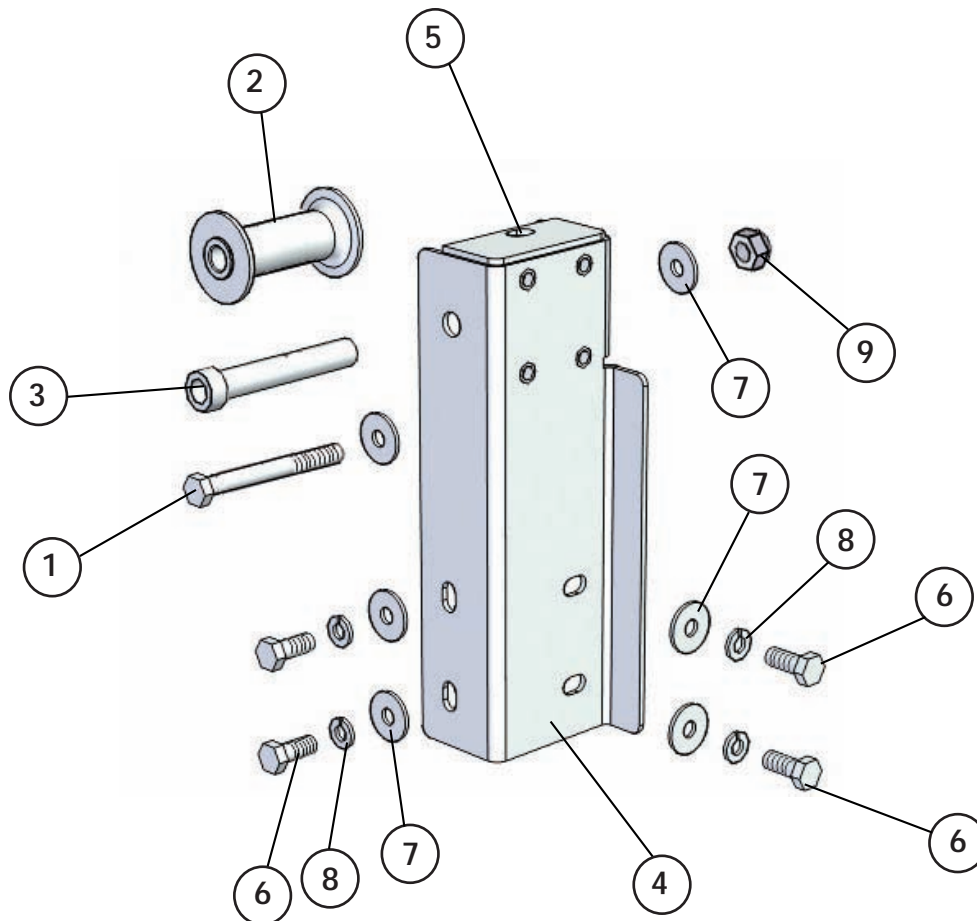


NO	QTY	DESCRIPTION	SCANCODE
1	1	Screw M8x90 8.8	10005627
2	1	Roller	PG120383
3	1	Sleeve	PG120399
4	1	Console	PG120385
5	1	Nut M8-A2-70	10006282
6	4	Screw M8x20 8.8	10007354
7	6	Washer 8-200 HV A4J	10006180
8	4	Spring washer Z 8,2 Fe/Zn12bcA	10006236
9	4	Rivet nut	10007561

8.2

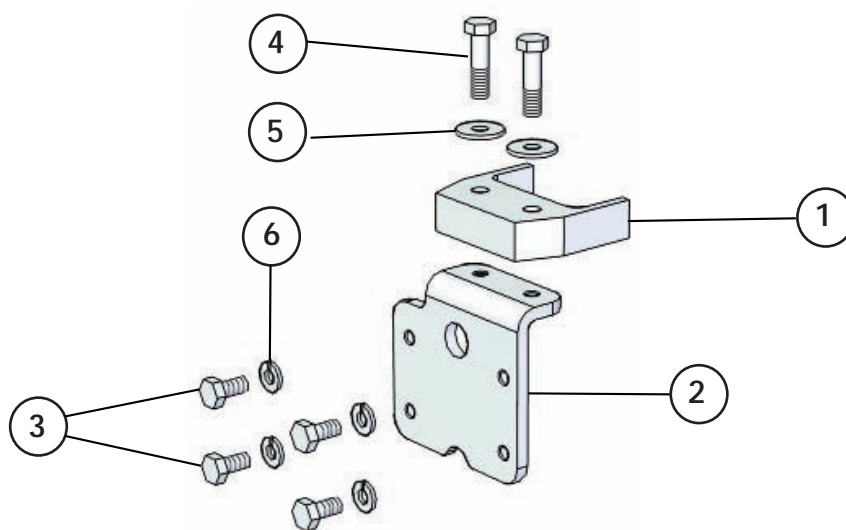
DOOR CONSOLE II COMPLETE

PG120389



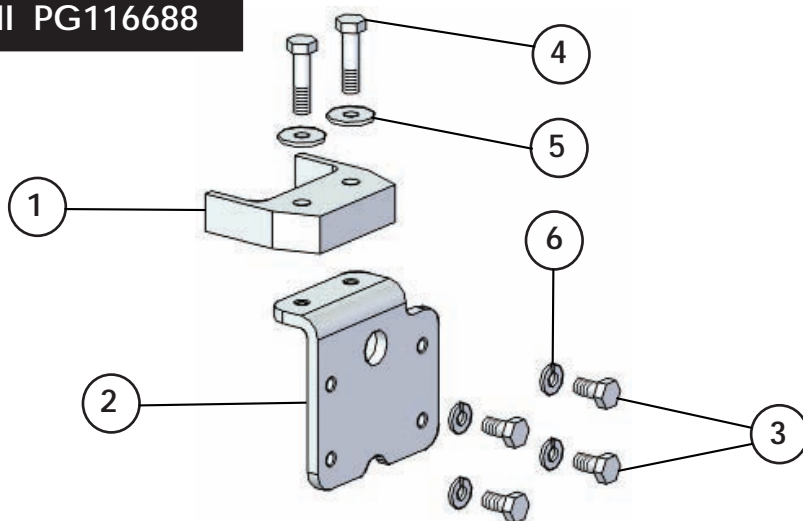
NO	QTY	DESCRIPTION	SCANCODE
1	1	Screw M8x90 8.8	10005627
2	1	Roller	PG120383
3	1	Sleeve	PG120399
4	1	Console II	PG120396
5	1	Nut M8-A2-70	10006282
6	4	Screw M8x20 8.8	10007354
7	6	Washer 8-200 HV A4J	10006180
8	4	Spring washer Z 8,2 Fe/Zn12bcA	10006236
9	4	Rivet nut M6-30	10007561

8.3 TOP CONSOLE ASSEMBLY I PG116686



NO	QTY	DESCRIPTION	SCANCODE
1	1	Top console	PG116681
2	1	Angle bar fasten	PG116682
3	4	Screw M6x12 8.8 A4J	10005492
4	2	Screw M6x25 8.8 A4J	10005513
5	2	Washer 6-200 HV A4J	10006177
6	4	Spring washer Z 6,1 Fe/Zn12bcA	10006233

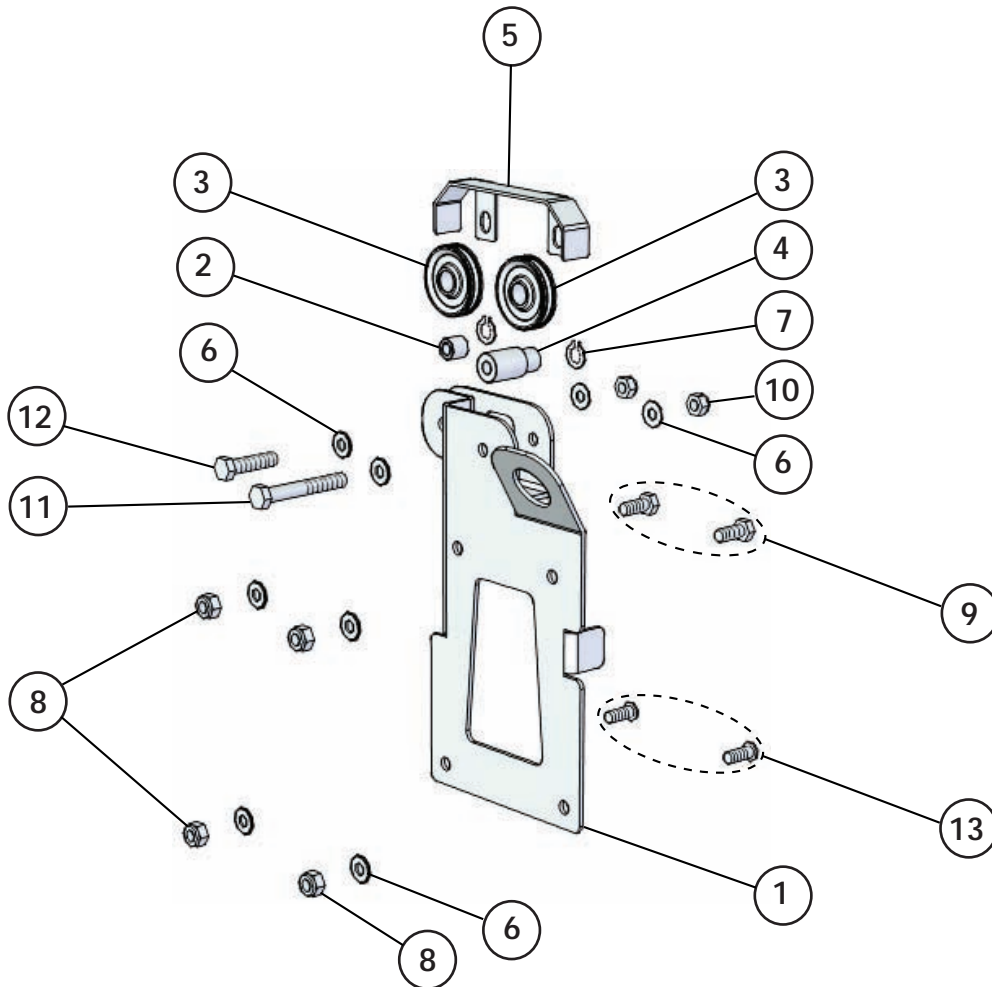
TOP CONSOLE ASSEMBLY II PG116688



NO	QTY	DESCRIPTION	SCANCODE
1	1	Top console	PG116681
2	1	Angle bar fasten	PG116687
3	4	Screw M6x12 8.8 A4J	10005492
4	2	Screw M6x25 8.8 A4J	10005513
5	2	Washer 6-200 HV A4J	10006177
6	4	Spring washer Z 6,1 Fe/Zn12bcA	10006233

8.4

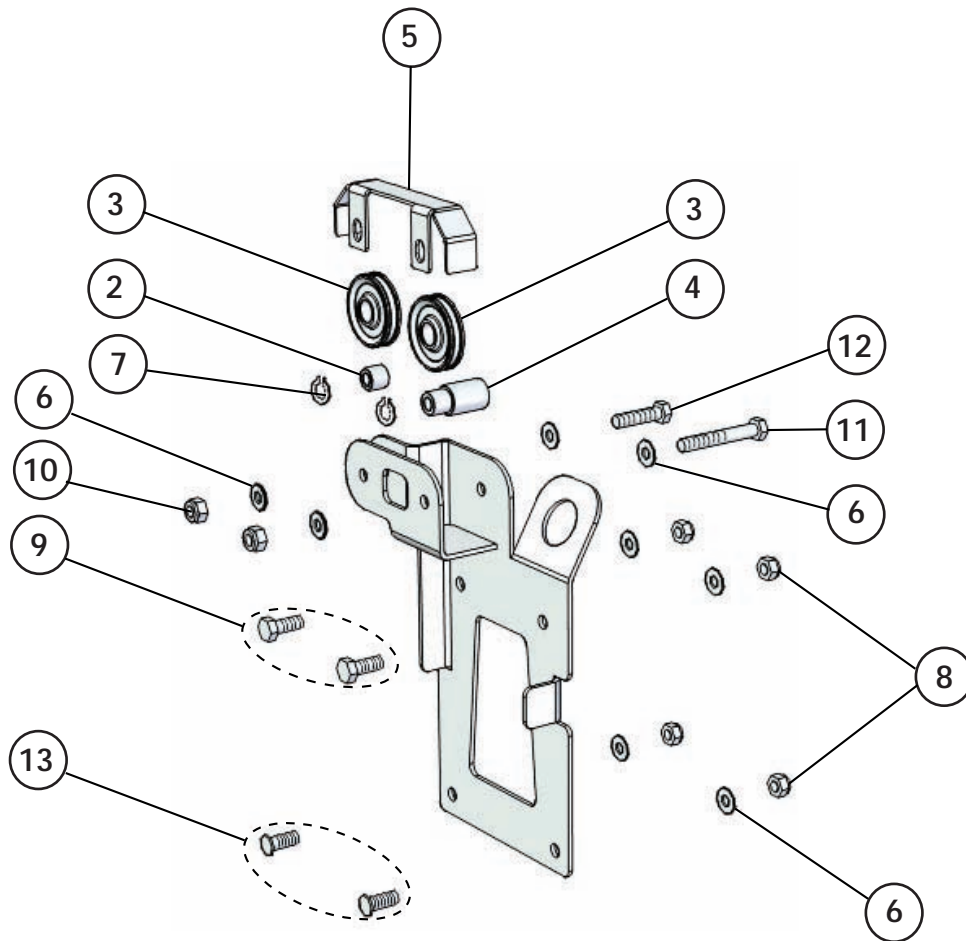
WIRE WHEEL ASSEMBLY I PG120371



NO	QTY	DESCRIPTION	SCANCODE
1	1	Console	PG120410
2	1	Sleeve	PG120375
3	2	Wire wheel	PG120369
4	1	Axle	PG120372
5	1	Cover	PG120376
6	8	Washer ISO 7089-8-200 HV	10006178
7	2	Spring retaining ring Z12	10000886
8	6	Nut M8 8B A4J	10006281
9	2	Screw M8x20 8.8	10007783
10	2	Nut M8 A4-70	10006283
11	1	Screw M8x65 8.8 A4J	10005611
12	1	Screw M8x40 8.8 A4J	10005583
13	2	Screw M8x20 10,9	10007378

8.5

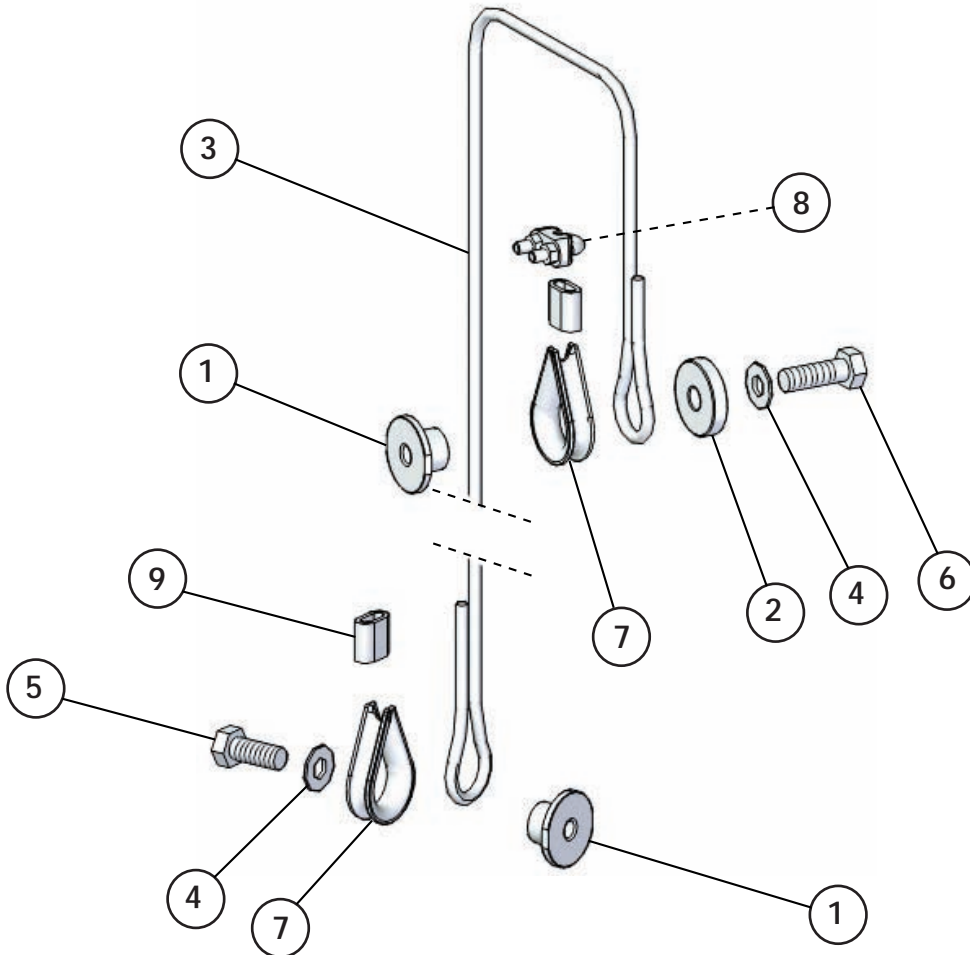
WIRE WHEEL ASSEMBLY II PG120379



NO	QTY	DESCRIPTION	SCANCODE
1	1	Console	PG120382
2	1	Sleeve	PG120375
3	2	Wire wheel	PG120369
4	1	Axle	PG120372
5	1	Cover	PG120376
6	8	Washer ISO 7089-8-200 HV	10006178
7	2	Spring retaining ring Z12	10000886
8	6	Nut M8 8B A4J	10006281
9	2	Screw M8x20 8.8	10007783
10	2	Nut M8 A4-70	10006283
11	1	Screw M8x65 8.8 A4J	10005611
12	1	Screw M8x40 8.8 A4J	10005583
13	2	Screw M8x20 10.9	10007378

8.6

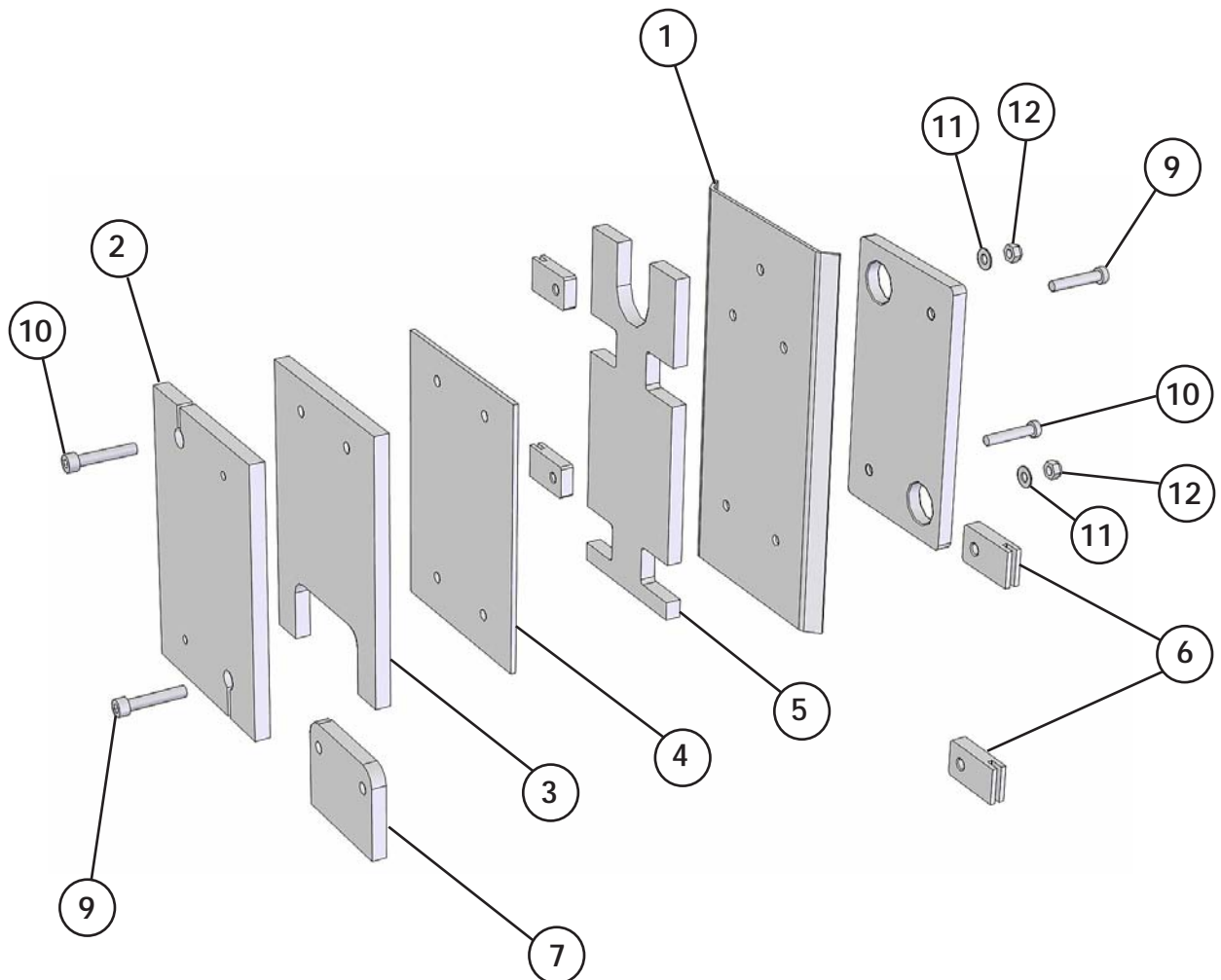
DOOR LINE COMPLETE PG114733



NO	QTY	DESCRIPTION	SCANCODE
1	2	Sleeve	PG114730
2	1	Distance sleeve	PG114729
3	1	Wire wheel	PG114731
4	2	Washer 8,4 Fe/Zn12bcA	10006178
5	1	Screw M8x20 8.8 A4J	10005548
6	1	Screw M8x25 8.8 A4J	10005556
7	2	Rope thimble A6 OC	10000715
8	1	Wire clamp 5 OC	10000690
9	2	Wire clamp Ø4	10005270

8.7

COUNTERWEIGHT PG114589



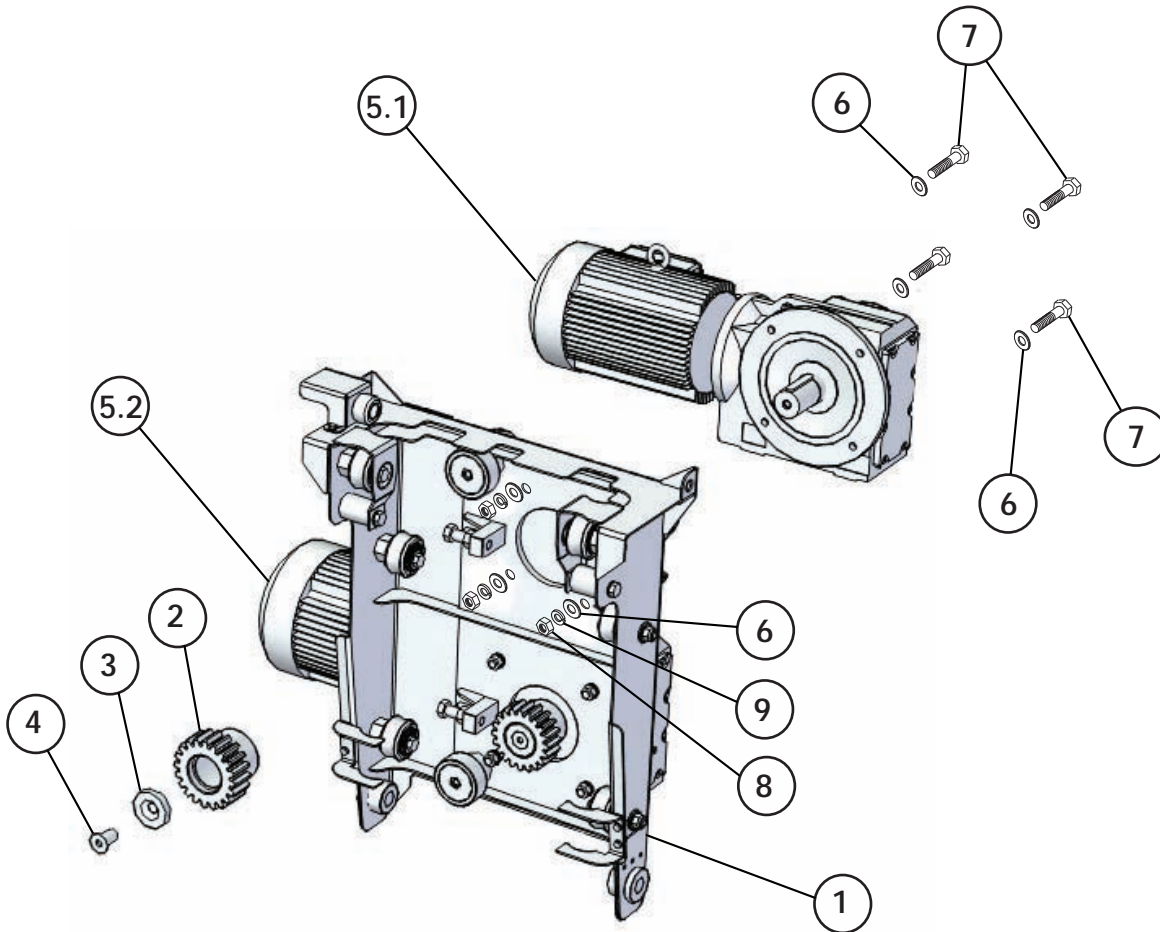
NO	QTY	DESCRIPTION	SCANCODE
1	1	Cover	PG114579
2	1	Sheet metal I	PG114580
3	1	Sheet metal II	PG114581
4	1	Counterweight sling	PG114583
5	1	Sheet metal III	PG114585
6	4	Slipper	PG114586
7	1	Rubber buffer	PG114587
8	1	Sheet metal	PG116472
9	2	Screw M8x45 8.8 A4J	10005590
10	2	Screw M8x45 8.8 A4J	10007379
11	2	Nut M8 8 A4J	10006281
12	2	Washer 8,4 Fe/Zn12bcA	10006178

9A

LIFTING ASSEMBLY

PG116531

Ver. PLC WITHOUT FREQUENCY INVERTER
SC1432L



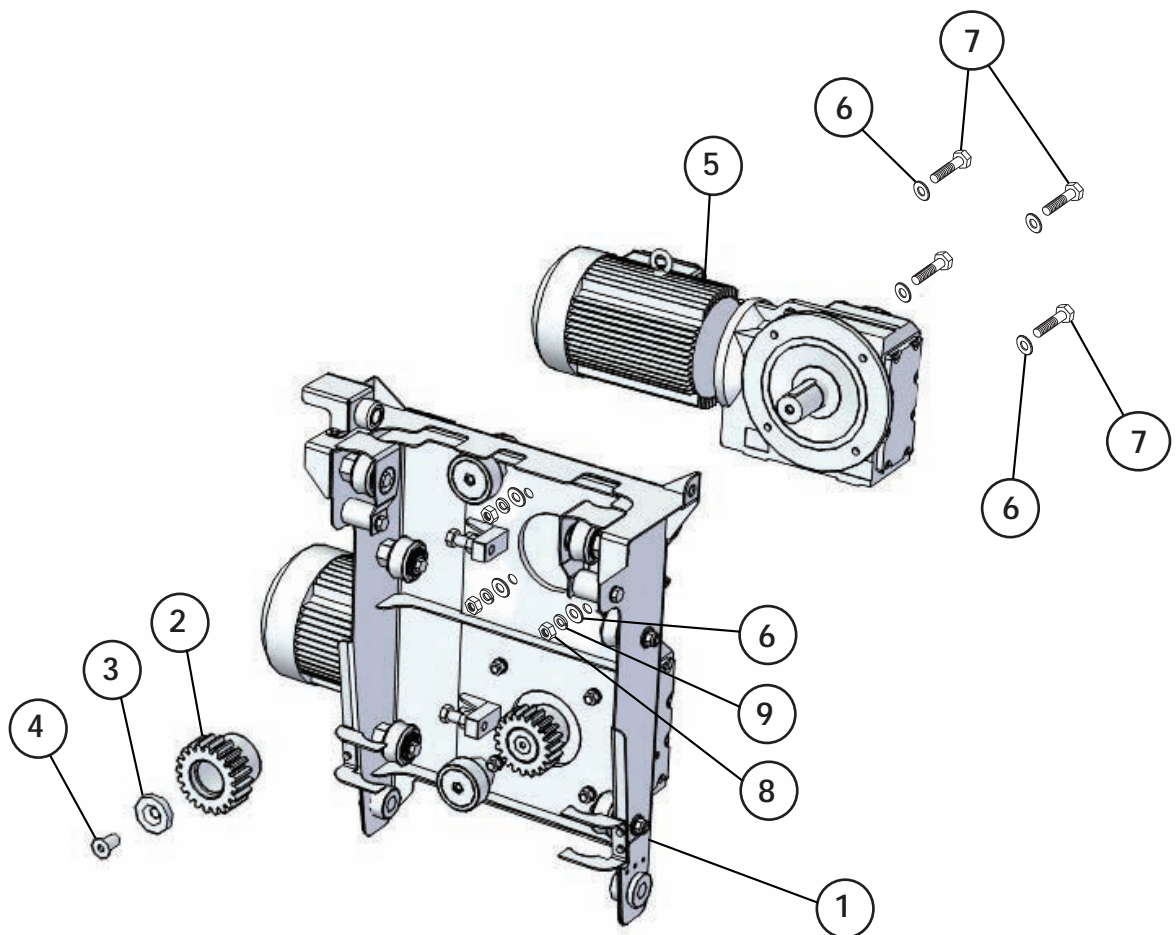
NO	QTY	DESCRIPTION	SCANCODE
1	1	Drive plate	PG116063
2	2	Pin Z=20 m=6	PG114282
3	2	Disk	PG101285
4	2	Screw M20x45 10.9 A4J	10006142
5		Mot. gear	
5.1	1	Mot. gear SK9042.1VF-132/40 BRE15O-C HL-Z	10007962
5.2	1	Mot. gear SK9042.1VF-132/40 BRE15O-C HL-Z	10007963
6	16	Washer 17 Fe/Zn12bcA	10006202
7	8	Screw M16x80 8.8 A4J	10005831
8	8	Nut M16 8 A4J	10006357
9	8	Spring washer Z 16,3 Fe/Zn12bcA	10006245

9B

LIFTING ASSEMBLY

PG116533

RELAY WITHOUT FREQUENCY INVERTER

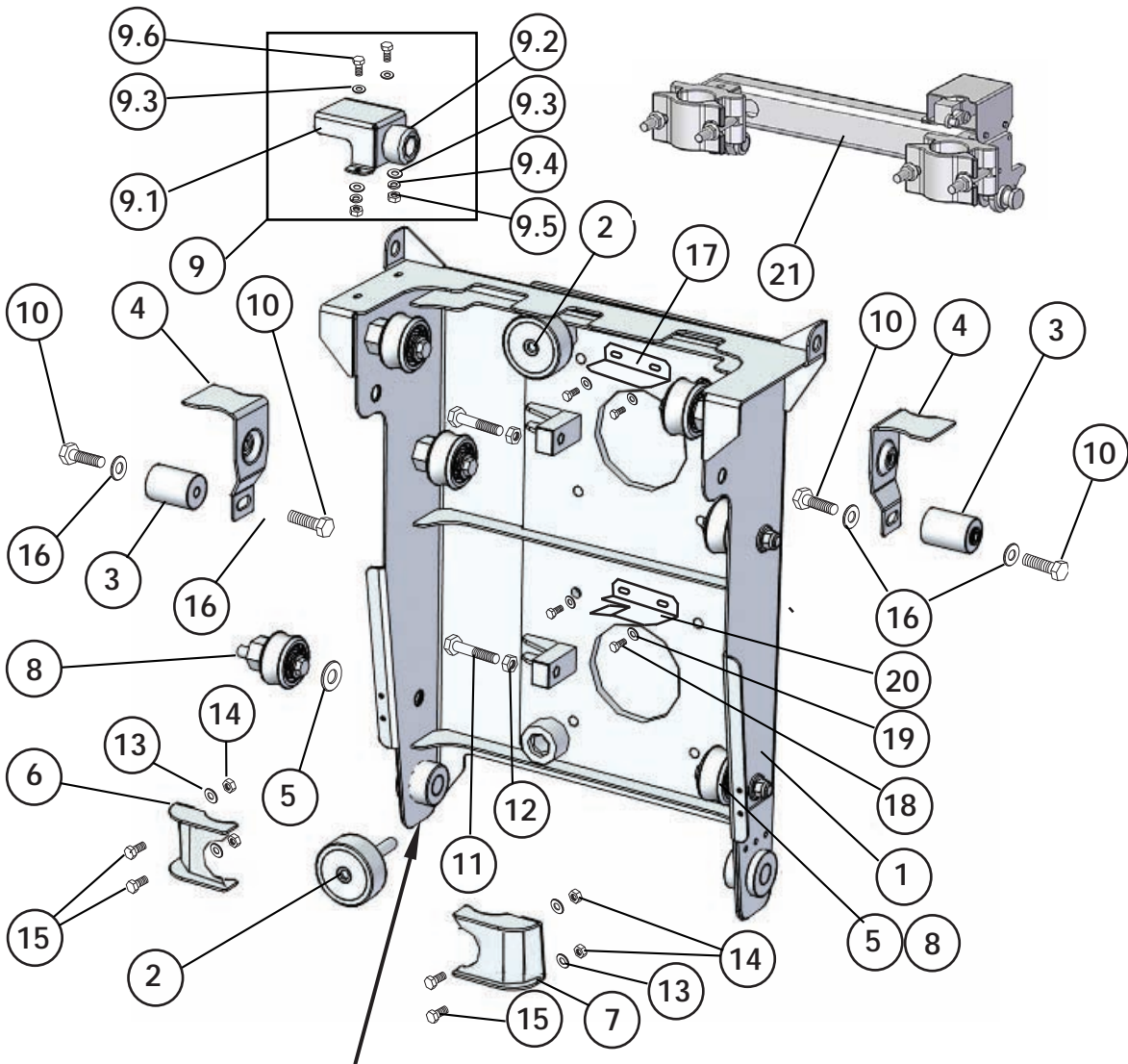


NO	QTY	DESCRIPTION	SCANCODE
1	1	Drive plate	PG116063
2	2	Pin Z=20 m=6	PG114282
3	2	Disk	PG101285
4	2	Screw M20x45 10.9 A4J	10006142
5	2	Mot. gear SK9042.1VF-132M/40 BRE15OHL-Z	10007692
6	16	Washer 17 Fe/Zn12bcA	10006202
7	8	Screw M16x80 8.8 A4J	10005831
8	8	Nut M16 8 A4J	10006357
9	8	Spring washer Z 16,3 Fe/Zn12bcA	10006245

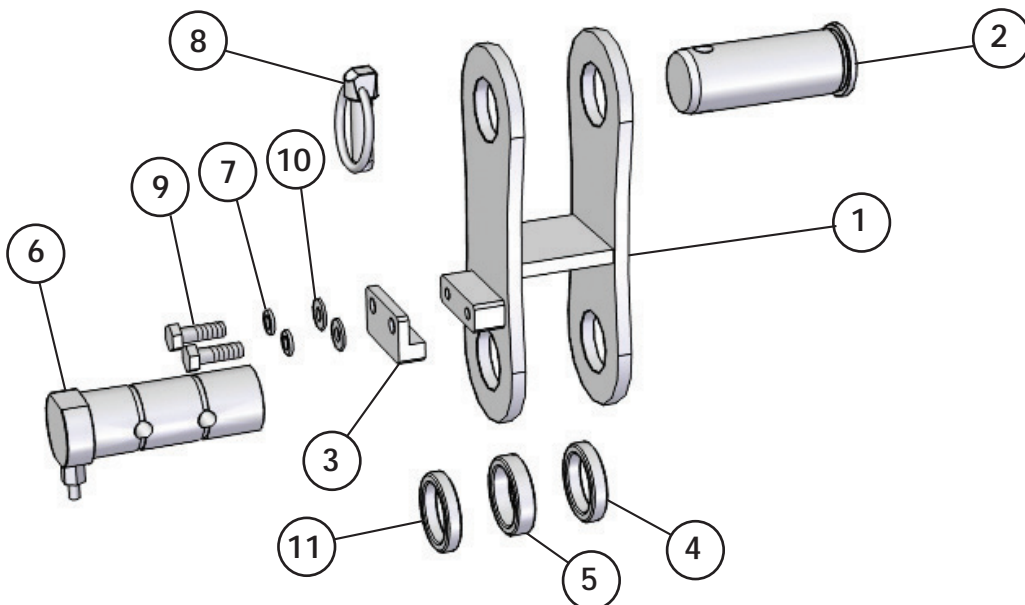
9.1

DRIVE PLATE

PG116063



Overload system PG114778



9.1

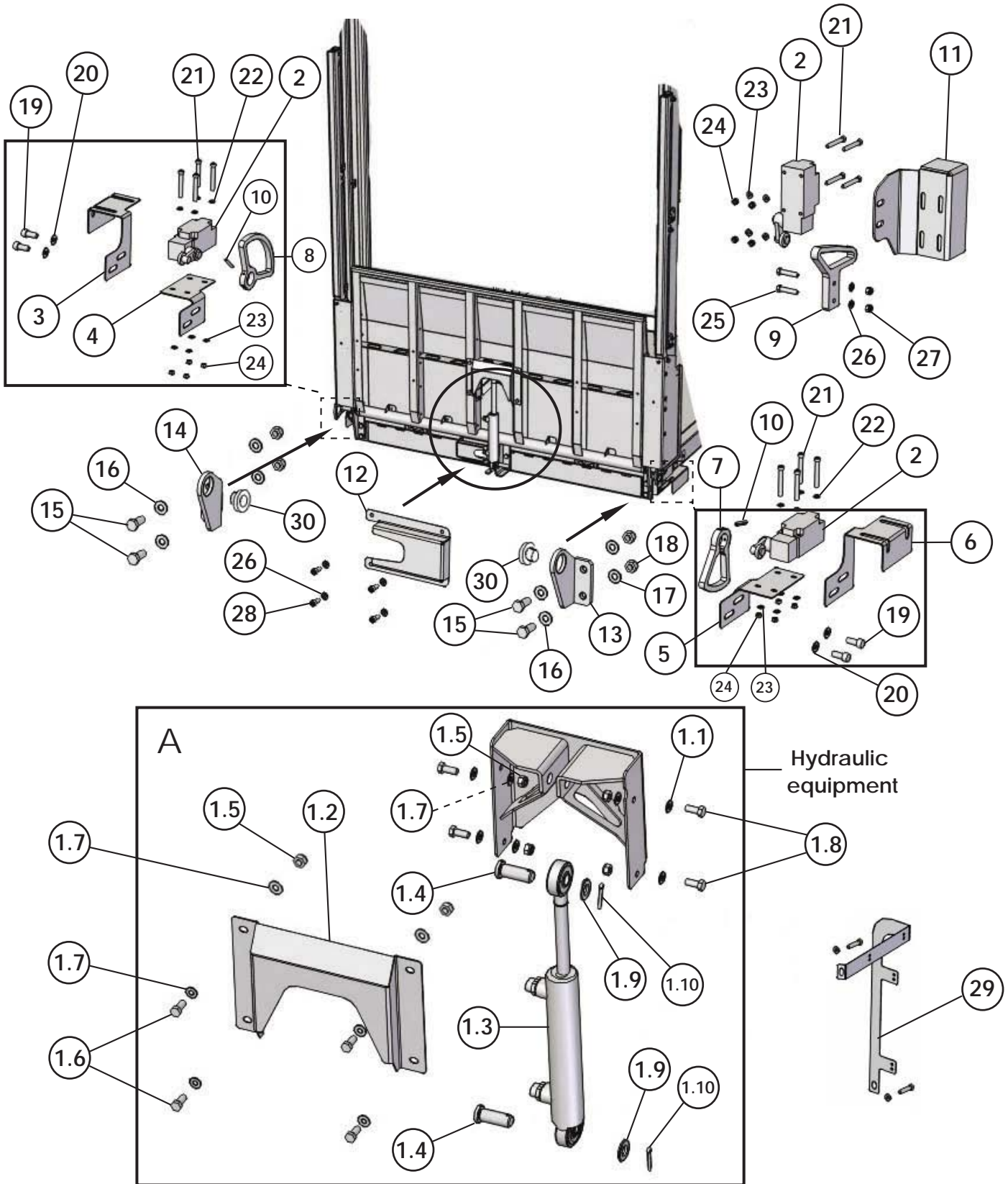
NO	QTY	DESCRIPTION	SCANCODE
1	1	Drive plate	PG116048
2	2	Support wheel assembly	PG114830
3	2	Pin	PG114412
4	2	Roller cover	PG114413
5	4	Washer	PG114829
6	1	Buffer	PG117248
7	1	Buffer	PG117247
8	6	Roller complete	PG114827
9	1	Sensor console	PG115438
9.1	1	Sensor cover	PG115470
9.2	1	Cover plate	PG104208
9.3	4	Washer 8,4 Fe/Zn12bcA	10006178
9.4	2	Spring washer 8,2 Fe/Zn12bcA	10006236
9.5	2	Nut M8 8 A4J	10006323
9.6	2	Screw M8x20 8.8 A4J	10005548
10	4	Screw M16x30 8.8 A4J	10005793
11	2	Screw M20x80 8.8 A4J	10005884
12	2	Nut M20 8	10006383
13	8	Washer 8,4 Fe/Zn12bcA	10006178
14	4	Nut M8 8B A4J	10006281
15	4	Screw M8x25 8.8 A4J	10005556
16	4	Washer 17 Fe/Zn12bcA	10006202
17	1	Cover	PG117244
18	4	Screw M6x16 8.8 A4J	10005499
19	4	Washer 6,4 A4 A4J	10006176
20	1	Cover II	PG117718
21	1	Safety clamp	PG120059
Overload system			
1	1	Connector	PG118573
2	1	Pin	PG114786
3	1	Sheet metal	PG114857
4	1	Ring I	PG114852
5	1	Ring II	PG114853
6	1	Sensor TPE/2000 - BPE 6m	10007174
7	2	Spring washer Z 8,2 Fe/Zn12bcA	10006236
8	1	Stopper	10006537
9	2	Screw M8x25 8.8 A4J	10005556
10	2	Washer 8,4 Fe/Zn12bcA	10006178
11	1	Ring II	PG114855

10

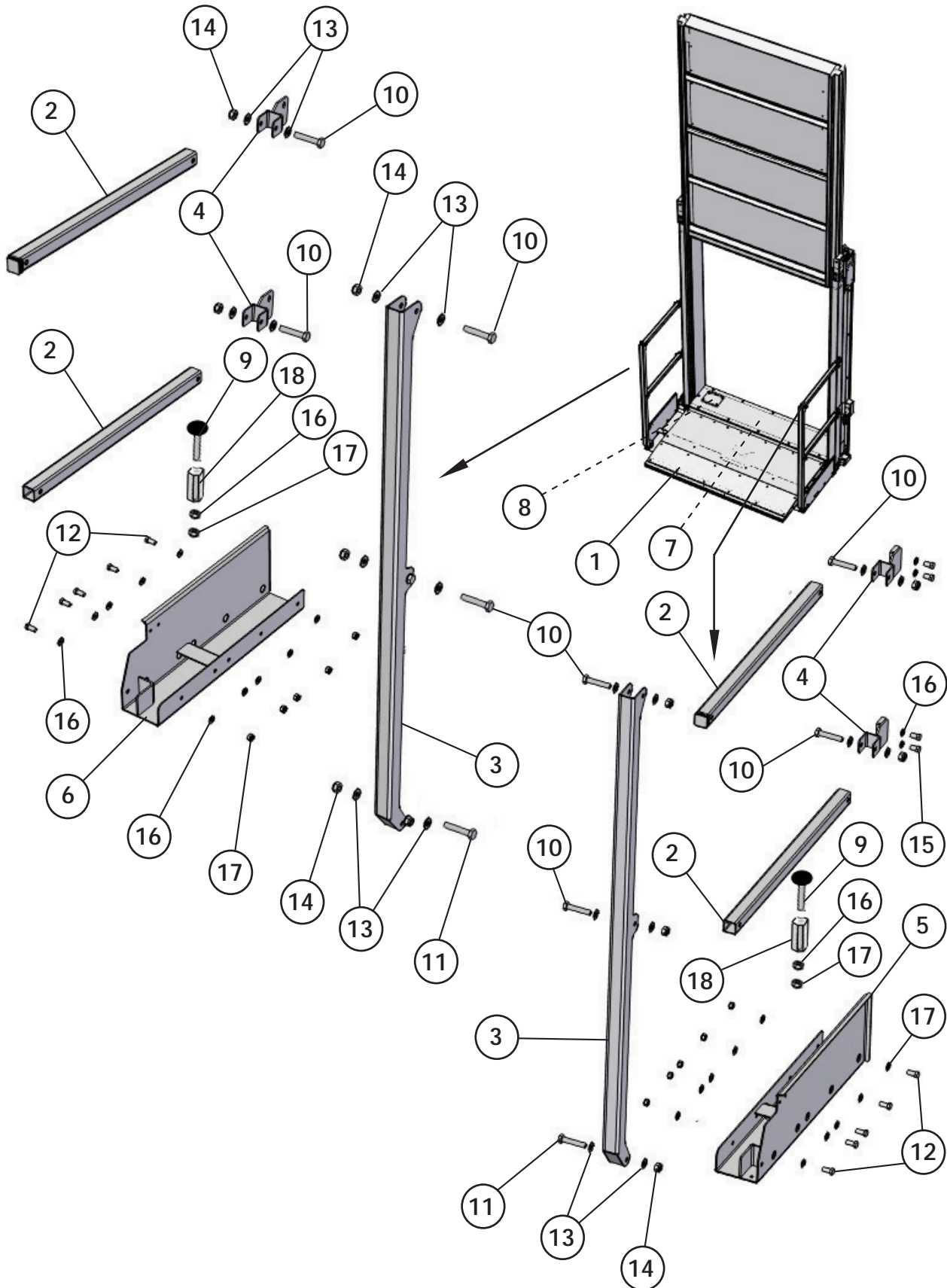
HYDRAULIC RAMP

PG114834

Part 1



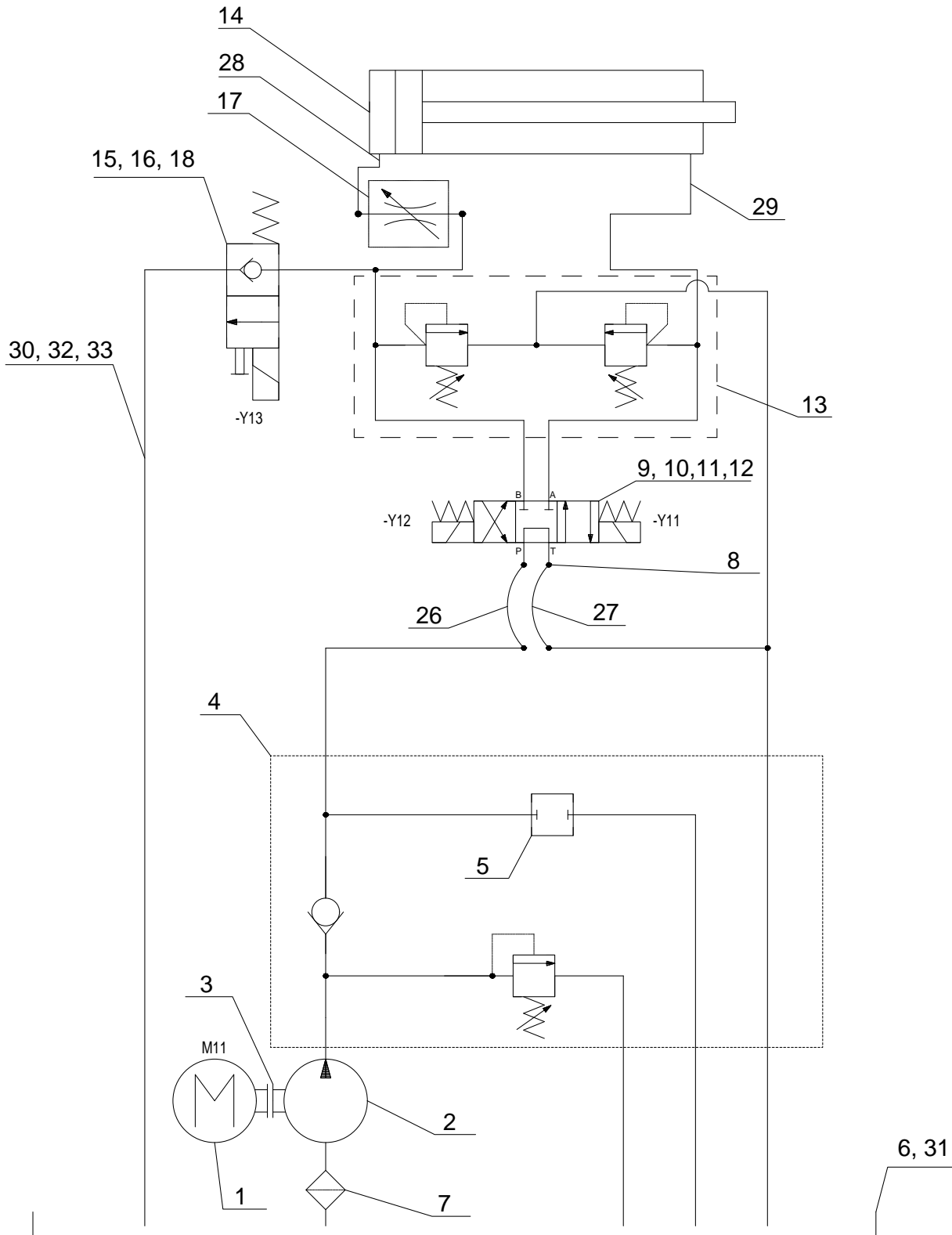
NO	QTY	DESCRIPTION	SCANCODE
1	1	Hydraulic equipment	
1.1	1	Console of hydraulic actuator I	PG114361
1.2	1	Cover	PG114364
1.3	1	Hydraulic actuator	
1.4	2	Pin	PG114943
1.5	20	Nut M8 8B A4J	10006281
1.6	18	Screw M8x20 8.8	10007354
1.7	38	Washer 8,4 Fe/Zn12bcA	10006178
1.8	16	Screw M8x16 8.8 A4J	10005542
1.9	2	Washer 17,5 Fe/Zn12bcA	10006202
1.10	2	Safety pin	10006519
2	1	Limit switch XCK-J-ZCK-05	
3	1	Limit switch cover I	PG115602
4	1	Console of limit switch	PG115603
5	1	Console of limit switch	PG115606
6	1	Limit switch cover	PG115605
7	1	Cam	PG114970
8	1	Cam 2	PG116831
9	1	Cam	PG116372
10	2	Slotted spring-type straight pin 4x30 A4J	PG115084
11	1	Console of limit switch	PG116373
12	1	Cover	PG115119
13	1	Grip - left	PG114305
14	1	Grip - right	PG114304
15	4	Screw M12x30 8.8	10007182
16	4	Washer 13 HV	10006199
17	4	Washer 13 A4	10006198
18	4	Nut M12 8B A4J	10006291
19	4	Screw M8x20 8.8 A4J	10005554
20	4	Washer 8,4 Fe/Zn12bcA	10006178
21	14	Screw M5x45 8.8 A4J	10005477
22	14	Washer 5,3 A4	10006173
23	14	Toothed lock with ext. teeth 5,3 Fe/Zn12bcA	10006232
24	16	Nut M5 A4-70	10006275
25	2	Screw M6x25 8.8 A4J	10005513
26	2	Washer 6,4 Fe/Zn12bcA	10006175
27	14	Nut M6 8B A4J	10006278
28	4	Screw M6x16 8.8 A4J	10005502
29	1	Cable holder	PG119205
30	2	Sleeve	PG114298



10

NO	QTY	DESCRIPTION	SCANCODE
1	1	Ramp	PG114328
2	4	Steel sections	PG114306
3	2	Railing	PG114372
4	4	Grip of railing I	PG114309
5	1	Side cover I	PG114346
6	1	Side cover II	PG114349
7	1	Doorstep cover	PG116908
8	1	Cover	PG116909
9	2	Rubber buffer	PG114261
10	8	Screw M10x55 8.8	10007193
11	2	Screw M10x60 8.8	10007183
12	18	Screw M8x20 8.8	10007354
13	20	Washer 10,5 Fe/Zn12bcA	10006186
14	10	Nut M10 8A A4J	10006287
15	16	Screw M8x16 A4J	10005542
16	38	Washer 8,4 Fe/Zn12bcA	10006178
17	20	Nut M8 8B A4J	10006281
18	2	Sleeve	PG119042

HYDRAULIC DIAGRAM SC1432



Ver. 13.02.07

Hydraulic unit SCXX32

Component list SCXX32

NO	QTY	CODE	DESCRIPTION
1	1	HKK403	Electric motor 400V; 0,37 kW
2	1	HKK13	Hydraulic gear pump 2,2 cm ³ /rev
3	1	HKKF68	Clutch
4	1	HKKA7A8	Central flange
5	1	HKKTC	Filler
6	1	HKKS02	Tank 2,5l
7	1	HKKAS006	Tank equipment
8	1	HK BA 202	Mounting plate
9	1	HKDH0714X00	Solenoid valves
10	2	HKSPCOU24 DC	Coils for solenoid
11	3	HKSP666	Plug for coils
12	1	HKM590	Screw
13	1	HK HM 012 210	Flow control valve A and B
14	1	HFDD0250160175	Hydraulic cylinder
15	1	HK EVH 06 EC3	2/2-way seated solenoid valves
16	1	HK 00613	Body of seated solenoid valves
17	1	HK V2572-1/4	Throttle
18	1	HK C 24 VDC	Coils for seated solenoid valves
19	1	AVR NW06 LED	Joint
20	1	XVEW NW 06 HL	Joint

Hydraulic unit SCXX32

Ver. 13.02.07

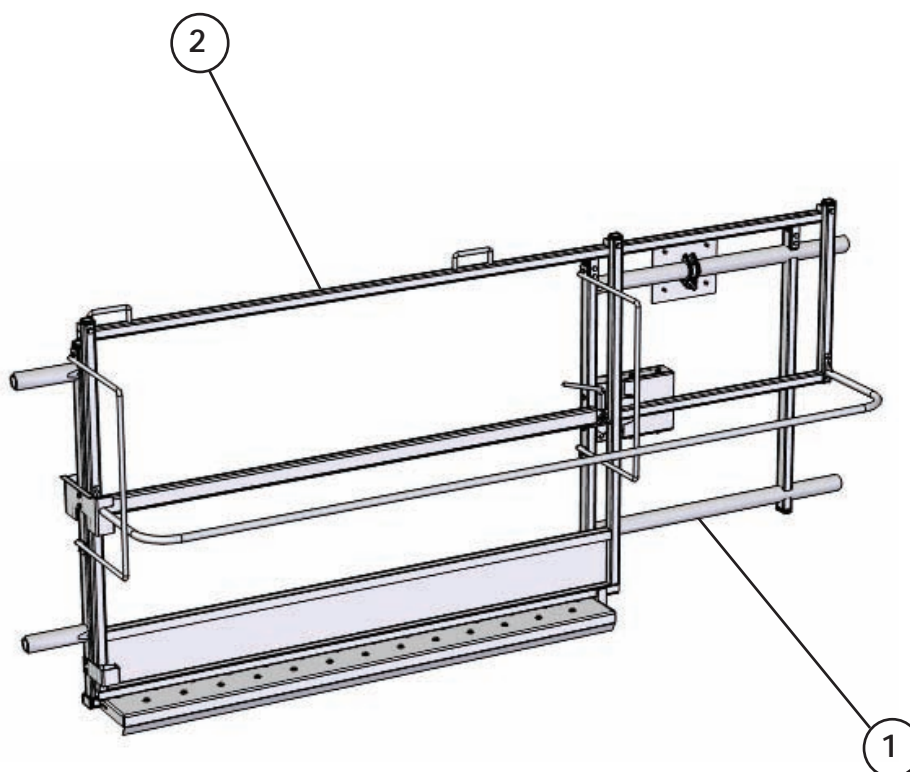
Component list SCXX32

NO	QTY	CODE	DESCRIPTION
21	5	X VR NW/06HLED	Joint
22	6	X VR NW/06HL3/8ED	Joint
23	1	DMO NW 06HL	Joint
24	1	X VEL NW 06 HL	Adapter
25	1	X VET NW 06 HL	Adapter
26	1	PHD106X610 AOL AOL45	Hydraulic hose
27	1	PHD106X570 AOL AOL45	Hydraulic hose
28	1	PHD106X700 AOL	Hydraulic hose
29	1	PHD106X700 AOL AOL 90	Hydraulic hose
30	1	PR 8-1	Steel pipe
31	1	NKP6401/1	Indicator of oil-level
32	2	UEM NW 06L	Nut
33	2	SRD 8	Ring

11

UNITOR

PG115374

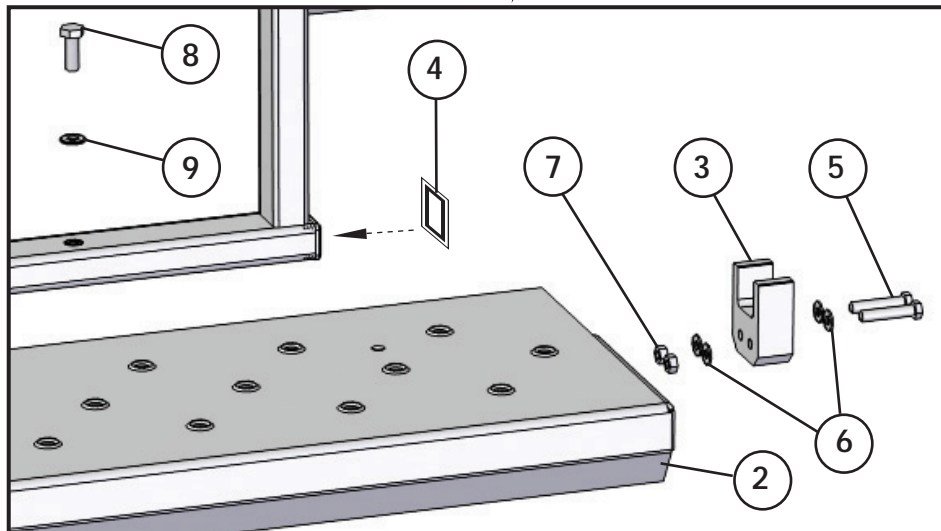
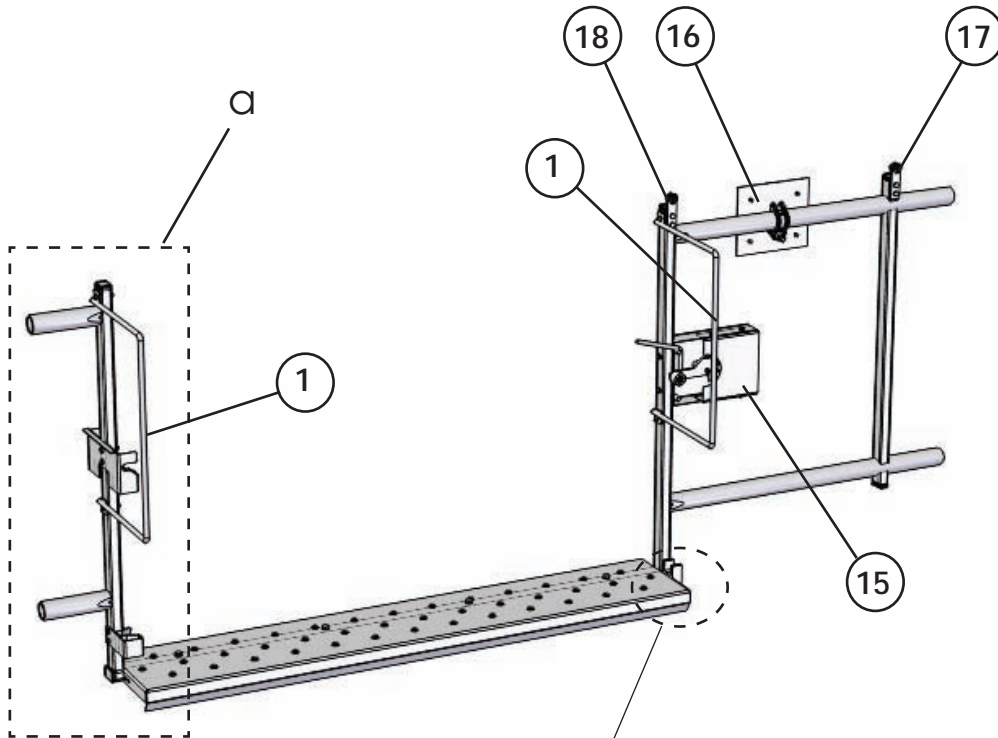


NO	QTY	DESCRIPTION	SCANCODE
1	1	Immovable part of unitor	PG115343
2	2	Move raling	PG115295

11.1

IMMOVABLE PART OF UNITOR PG115343

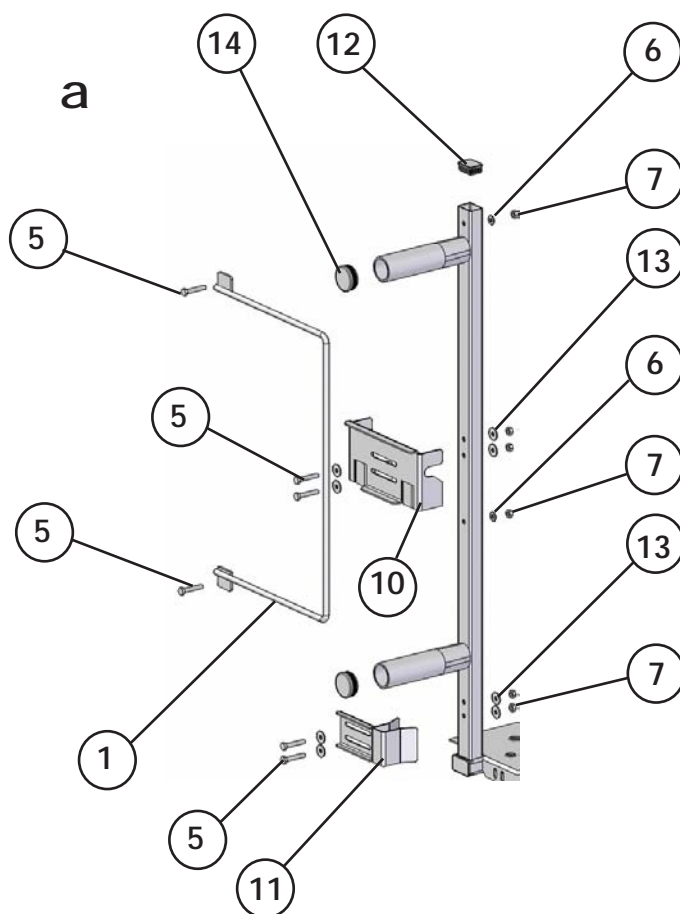
Part 1



11.1

IMMOVABLE PART OF UNITOR PG115343

Part 2



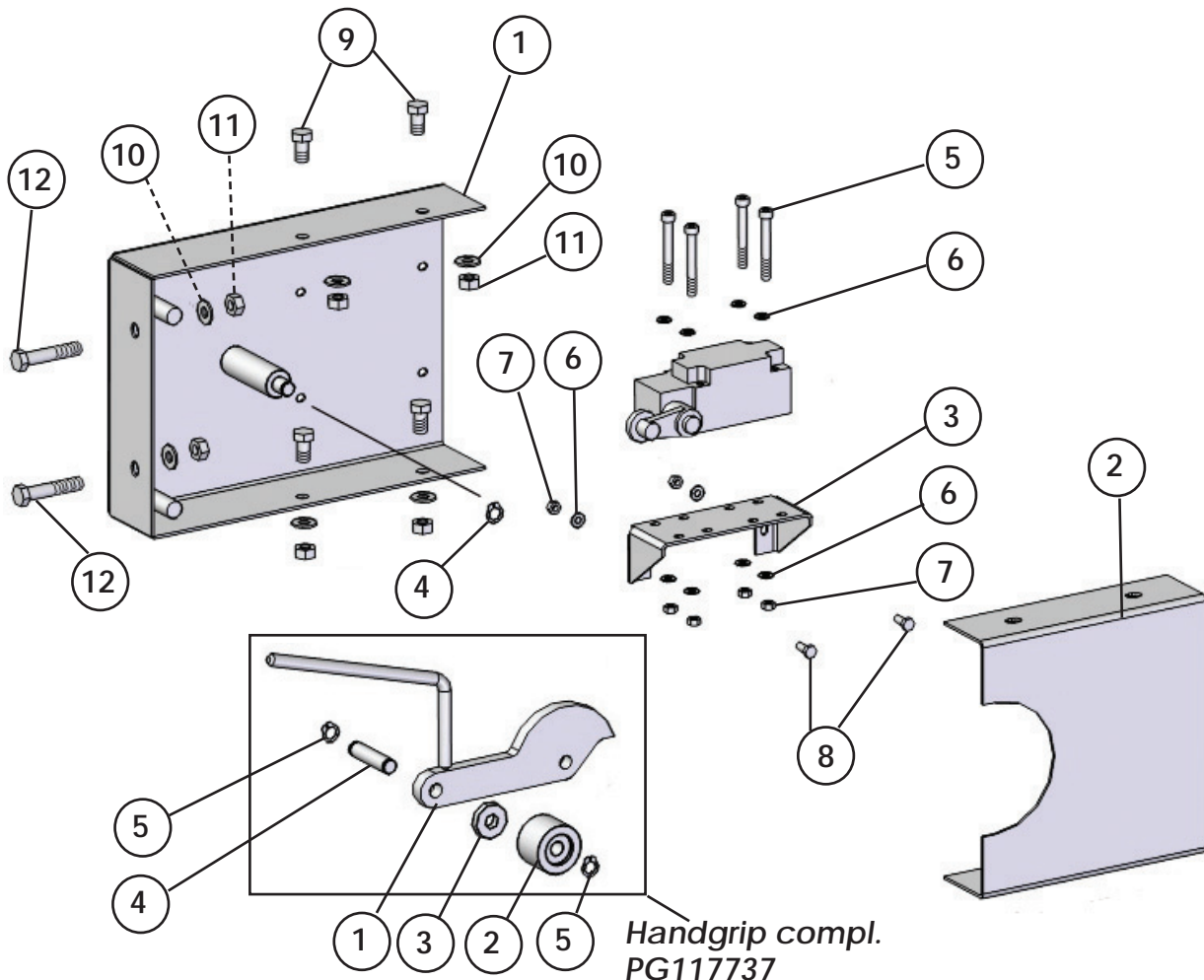
NO	QTY	DESCRIPTION	SCANCODE
1	2	Holder complete	PG115323
2	1	Lower plate	PG116770
3	1	Guide	PG116832
4	2	Stopper 50x30	10007552
5	12	Screw M8x45 8.8A4J	10005589
6	22	Washer 8,4 Fe/Zn12bcA	10006178
7	20	Nut M8 8 A4J	10006323
8	4	Screw M10x30 8.8 A4J	10005657
9	4	Washer 10,5 Fe/Zn12bcA	10006186
10	1	Guide complete	PG117709
11	1	Lower guide	PG117707
12	4	Stopper 40x30	10007551
13	8	Washer 8-200 HV A4J	10006180
14	4	Stopper F48	10003382
15	1	Switch box	PG117738
16	1	Fastening of control box OP4	PG117739
17	1	Roller system	PG117589
18	1	Roller system	PG117736

11.1.1

SWITCH BOX

PG117738

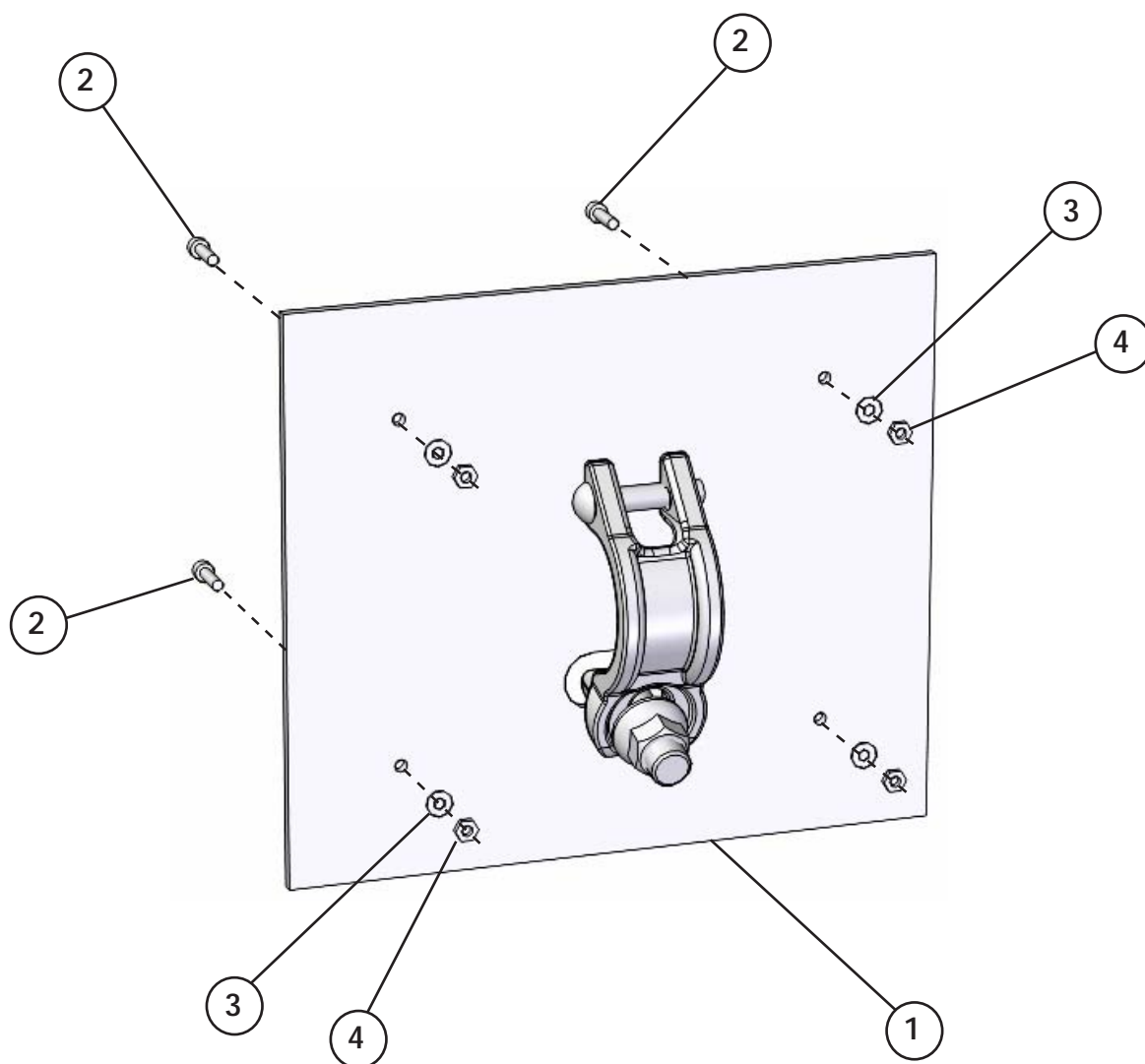
HANDGRIP COMPL. PG117737



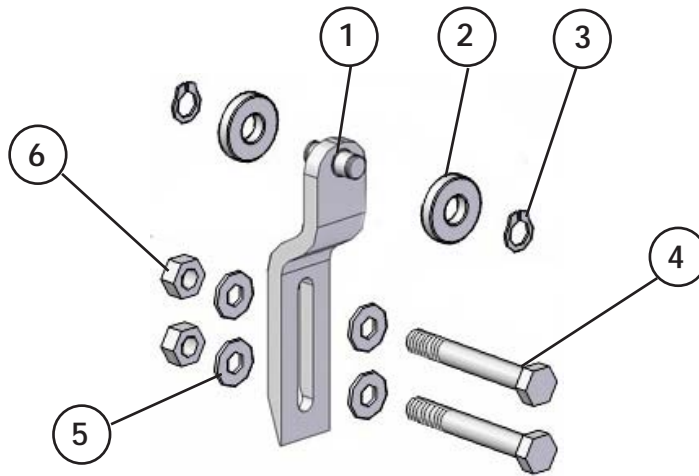
Handgrip compl.
PG117737

NO	QTY	DESCRIPTION	SCANCODE
1	1	Case	PG115309
2	1	Cover	PG116833
3	1	Console	PG116003
4	1	Ring Z9	- 10000884
5	4	Screw M5x45 8.8A4J	10005477
6	10	Washer 5,3 Fe/Zn12bcA	10006171
7	6	Nut M5 6 A4J	10006314
8	2	Screw M5x12 8.8A4J	10005449
9	4	Screw M8x16 8.8A4J	10005545
10	6	Washer 8,4 Fe/Zn12bcA	10006178
11	6	Nut M8 8 A4J	10006323
12	2	Screw M8x45 8.8A4J	10005589
		Handgrip compl.	PG117737
1	1	Handgrip	PG115347
2	1	Disk	PG115408
3	1	Washer	PG116009
4	1	Pin	PG115406
5	2	Ring Z9	- 10000884

11.1.2 FASTENING OF CONTROL BOX OP4 PG117739

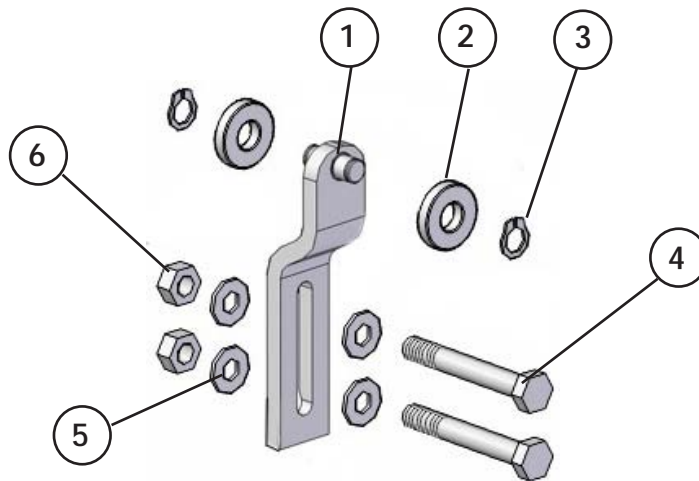


NO	QTY	DESCRIPTION	SCANCODE
1	1	Grapple of Box OP4	PG116671
2	4	Screw M4x20 8.8 A4J	10005438
3	4	Washer 4,3 Fe/Zn12bcA	10006168
4	4	Nut M4 8 A4J	10006311



PG117589

NO	QTY	DESCRIPTION	SCANCODE
1	1	Console	PG117733
2	2	Roller	10007916
3	2	Ring Z9	10000884
4	2	Screw M8x60 8.8 A4J	10005607
5	2	Washer 8-200 HV A4J	10006180
6	2	Nut M8 8 A4J	10006323



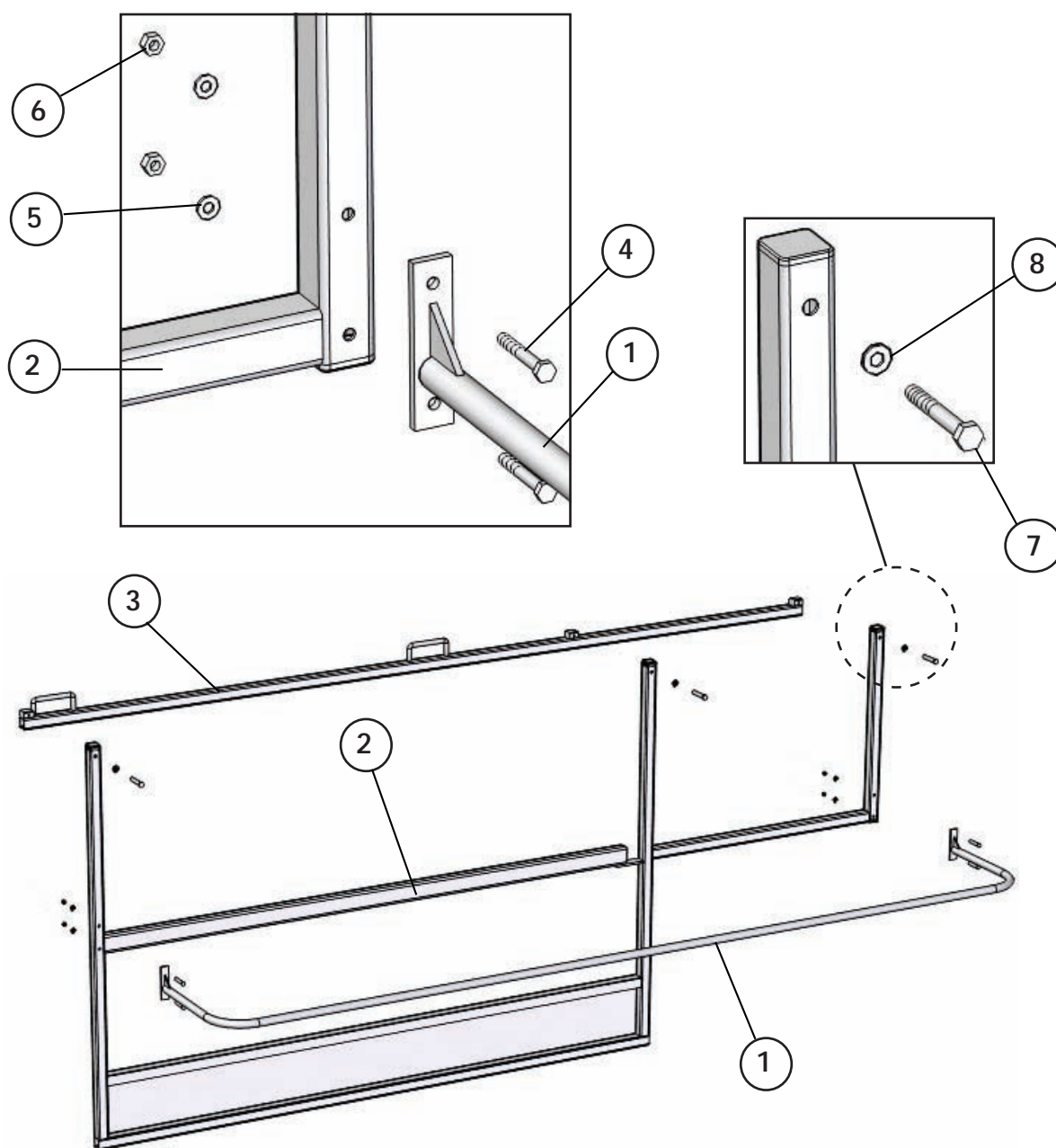
PG117736

NO	QTY	DESCRIPTION	SCANCODE
1	1	Console	PG117735
2	2	Roller	10007916
3	2	Ring Z9	10000884
4	2	Screw M8x60 8.8 A4J	10005607
5	2	Washer 8-200 HV A4J	10006180
6	2	Nut M8 8 A4J	10006323

11.2

MOVE RAILING

PG115295

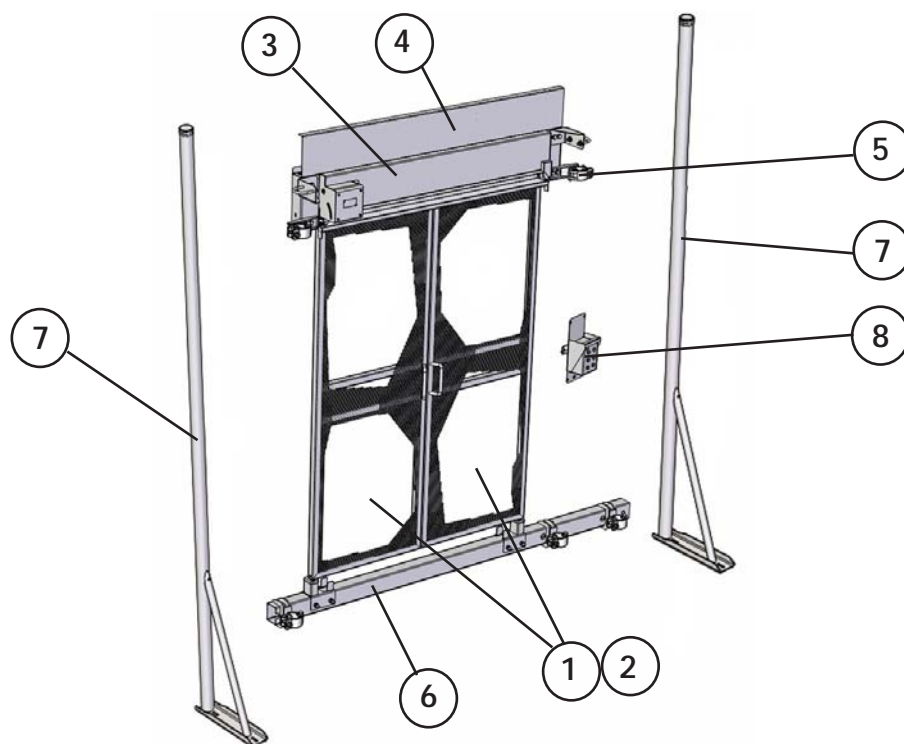


NO	QTY	DESCRIPTION	SCANCODE
1	1	Cover	PG115289
2	1	Railing	PG114614
3	1	Beam	PG116292
4	4	Screw M6x45 8.8	10005521
5	4	Washer 6,4 Fe/Zn12bcA	10006175
6	4	Nut M6 8A A4J	10006319
7	3	Screw M8x60 8.8	10005607
8	3	Washer 8,4 Fe/Zn12bcA	10006178



LANDING PG116285

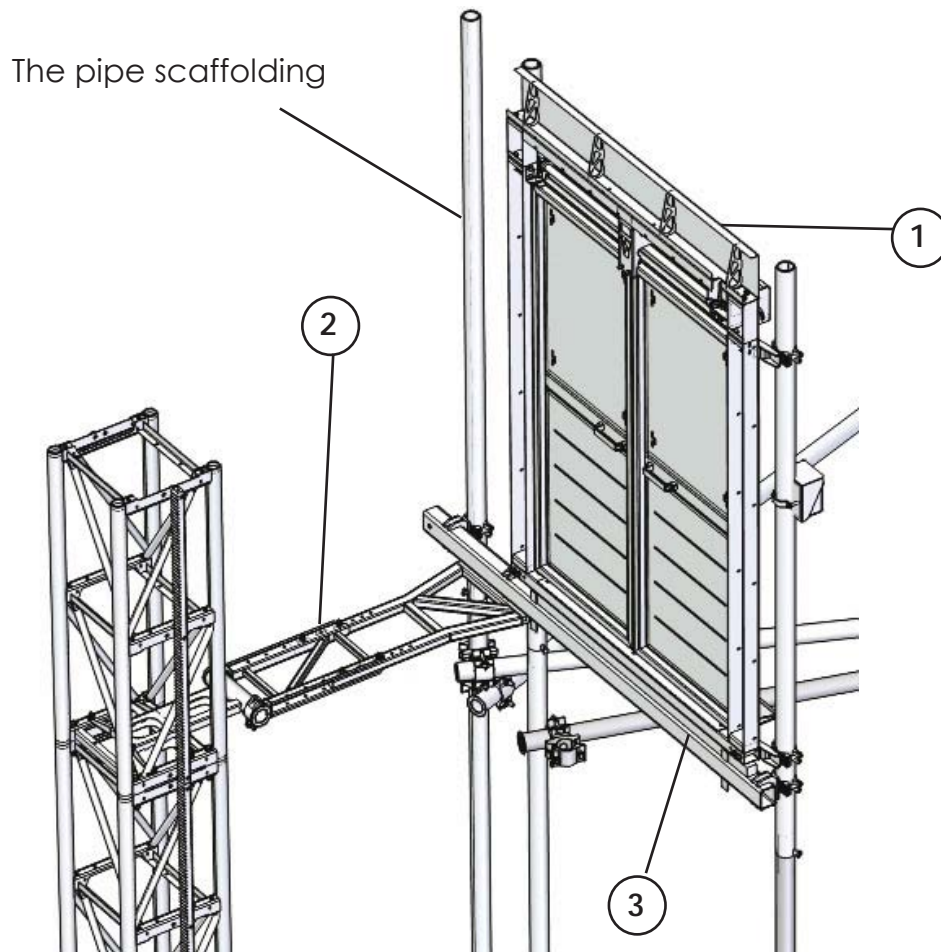
NO	QTY	DESCRIPTION	SCANCODE
1	1	Landing door complete	PG117230
2	2	Post complete	PG116220



SPECIAL LANDING

SPECIAL LANDING

NO	QTY	DESCRIPTION	SCANCODE
1	1	Left door	PG119301
2	1	Right door	PG119301
3	1	Lock ZB-88	PG122687
4	1	Cover	PG117243
5	2	Connector joint	PG117265
6	1	Cross bar	PG122602
7	2	Post complete	PG122641
8	1	Landing control box	PG117286

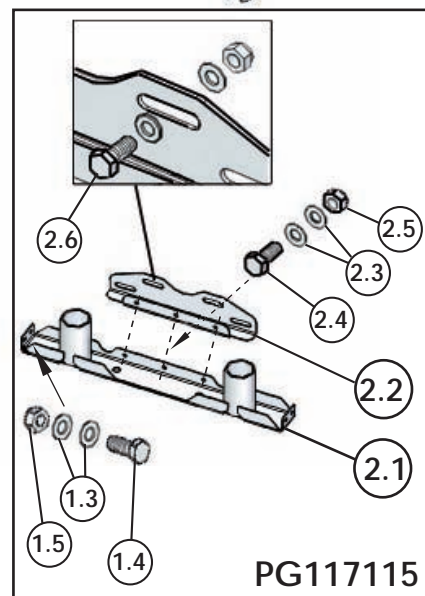
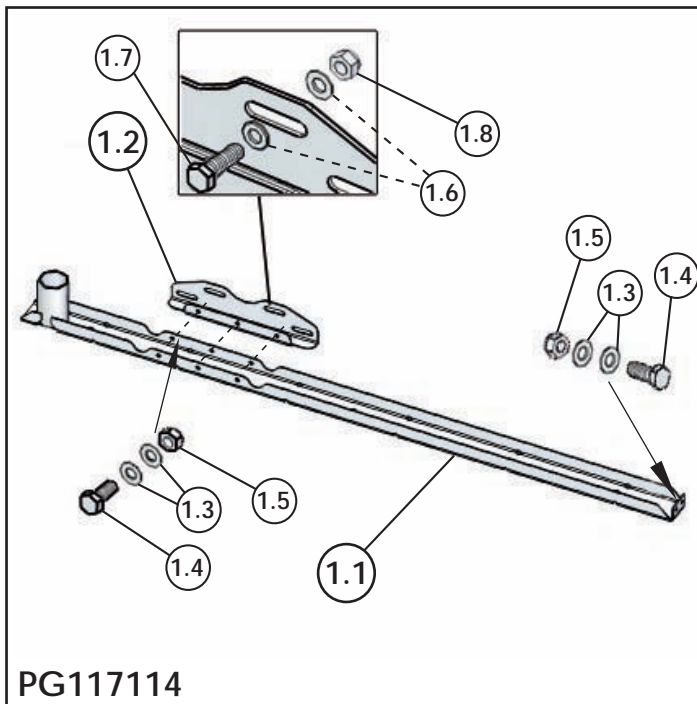
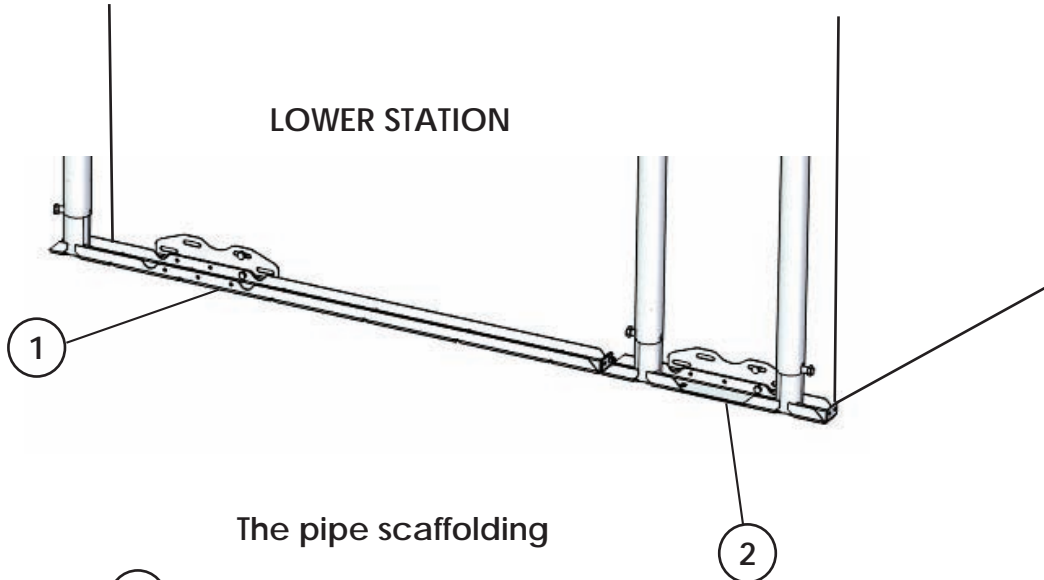


NO	QTY	DESCRIPTION	SCANCODE
1		Landing door complete	PG117230
2		Mast tie	PG116738
3		Cross bar	PG117119

12.1

LOWER CONSOLE - LONG
LOWER CONSOLE - SHORT

PG117114
PG117115

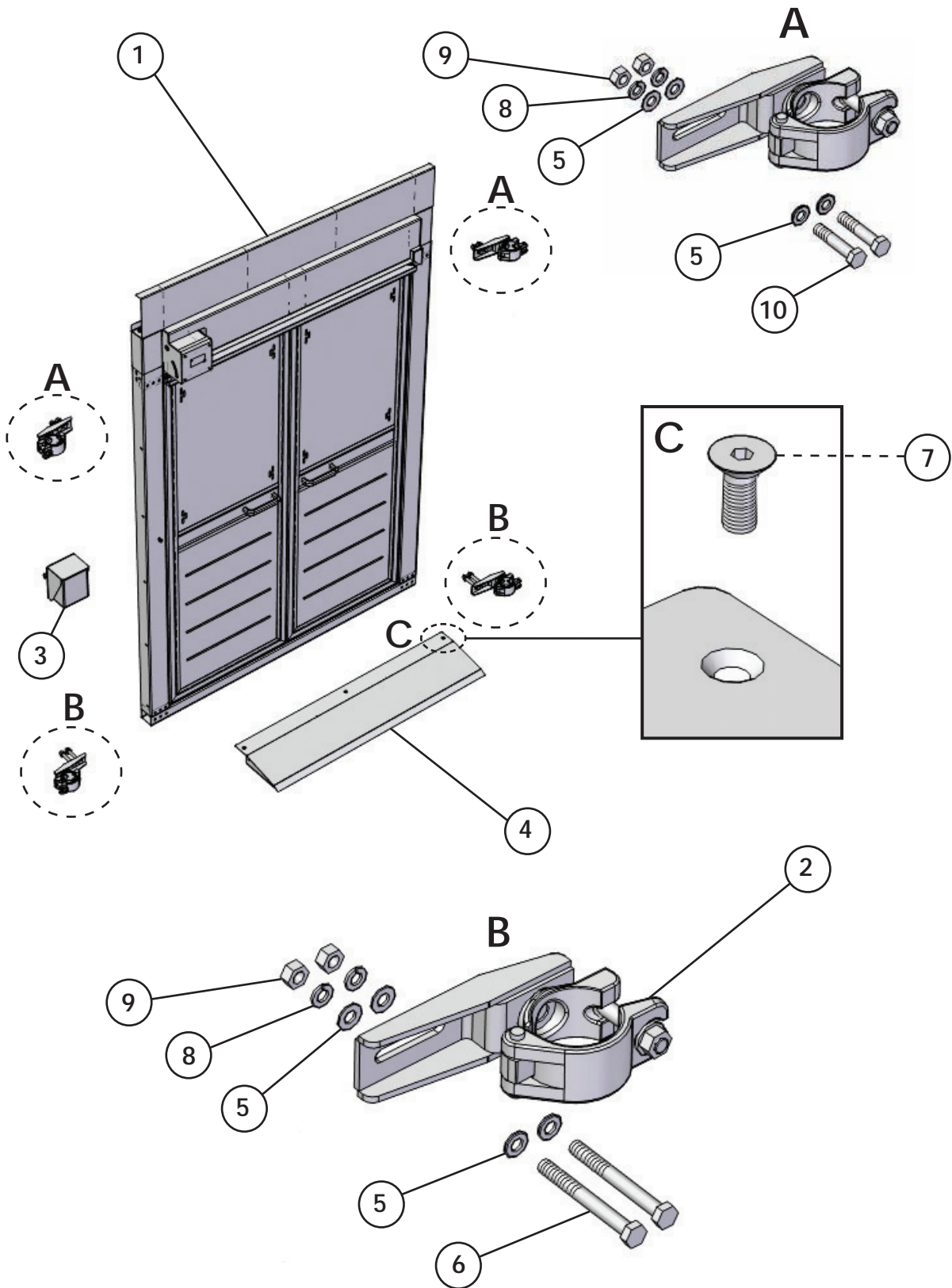


12.1

NO	QTY	DESCRIPTION	SCANCODE
1	1	Lower console - long	PG117114
1.1	1	Lower console - long	PG117361
1.2	1	Connector	PG117354
1.3	10	Washer 10,5 Fe/Zn12bcA	10006186
1.4	5	Screw M10x25 8.8 A4J	10005653
1.5	5	Nut M10 5B A4J	10006284
1.6	5	Washer 13 Fe/Zn12bcA	10006196
1.7	4	Screw M12x30 8.8 A4J	10005734
1.8	4	Nut M12 8B A4J	10006291
2	1	Lower console - short	PG117115
2.1	1	Lower console - short	PG117371
2.2	1	Connector	PG117354
2.3	6	Washer 10,5 Fe/Zn12bcA	10006186
2.4	3	Screw M10x25 8.8 A4J	10005653
2.5	3	Nut M10 5B A4J	10006284
2.6	4	Screw M12x45 8.8 A4J	10005748
3		Pipe connection	PG108300
4		Pipe line	PG108286

12.2

LANDING DOOR COMPL. PG117230



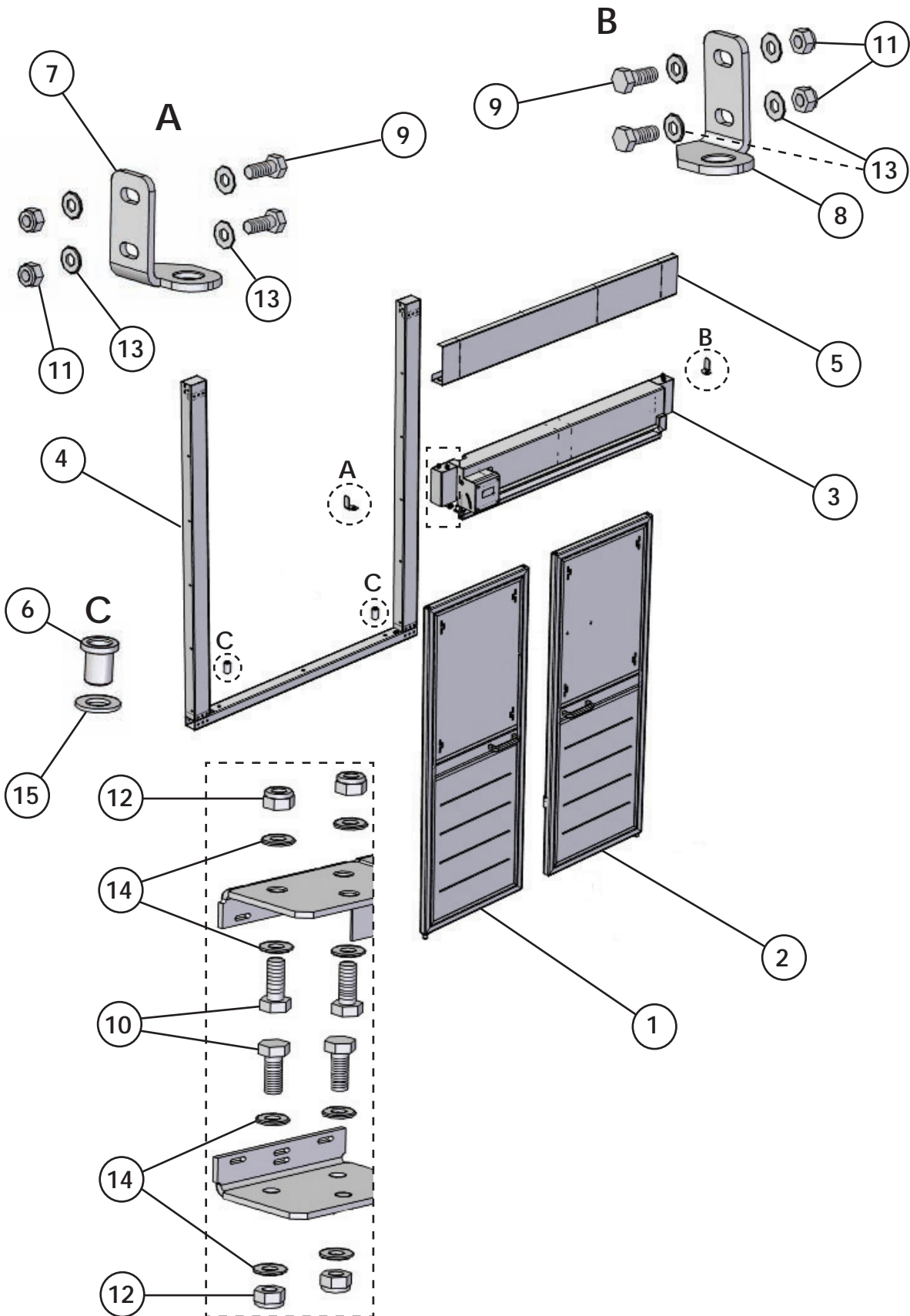
12.2

NO	QTY	DESCRIPTION	SCANCODE
1	1	Landing wall	PG116215
2	4	Connector joint	PG117265
3	1	Landing control box	PG117286
4	1	Ramp	PG117254
5	16	Washer 13 Fe/Zn 12bcA	10006196
6	4	Screw M12x110 8.8 A4J	10005771
7	3	Screw M10x30 10.9 A4J	10005662
8	8	Spring washer Z 12,2 Fe/Zn12bcA	10006243
9	8	Nut M12 8B A4J	10006350
10	4	Screw M12x110 8.8 A4J	10005757

12.3

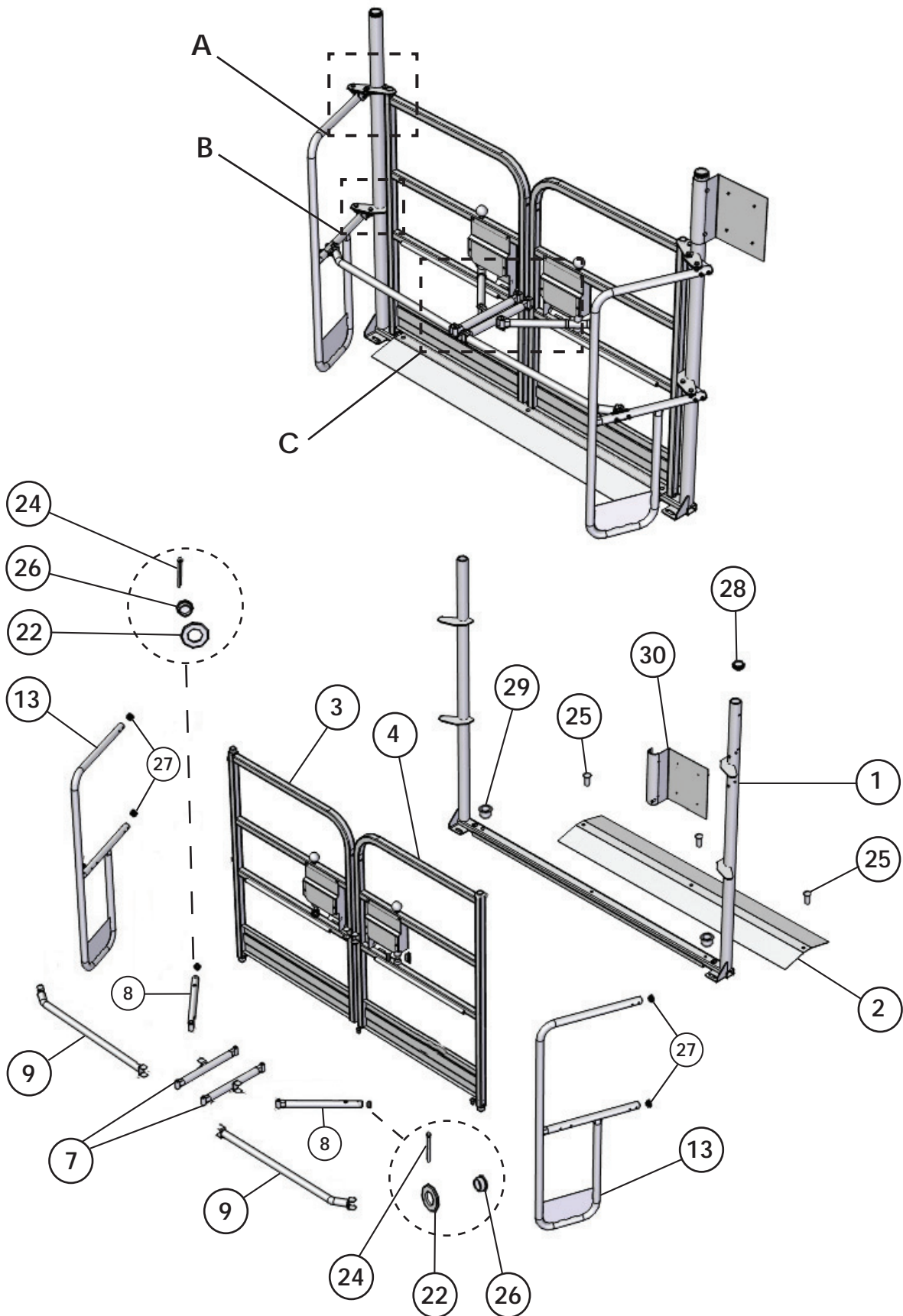
LANDING WALL

PG116215

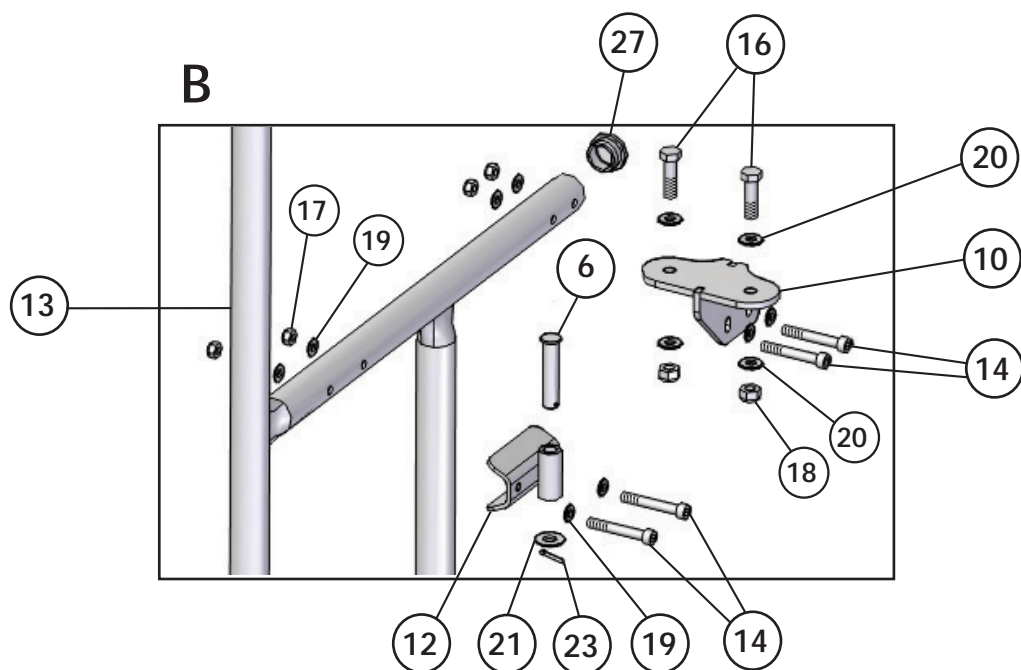
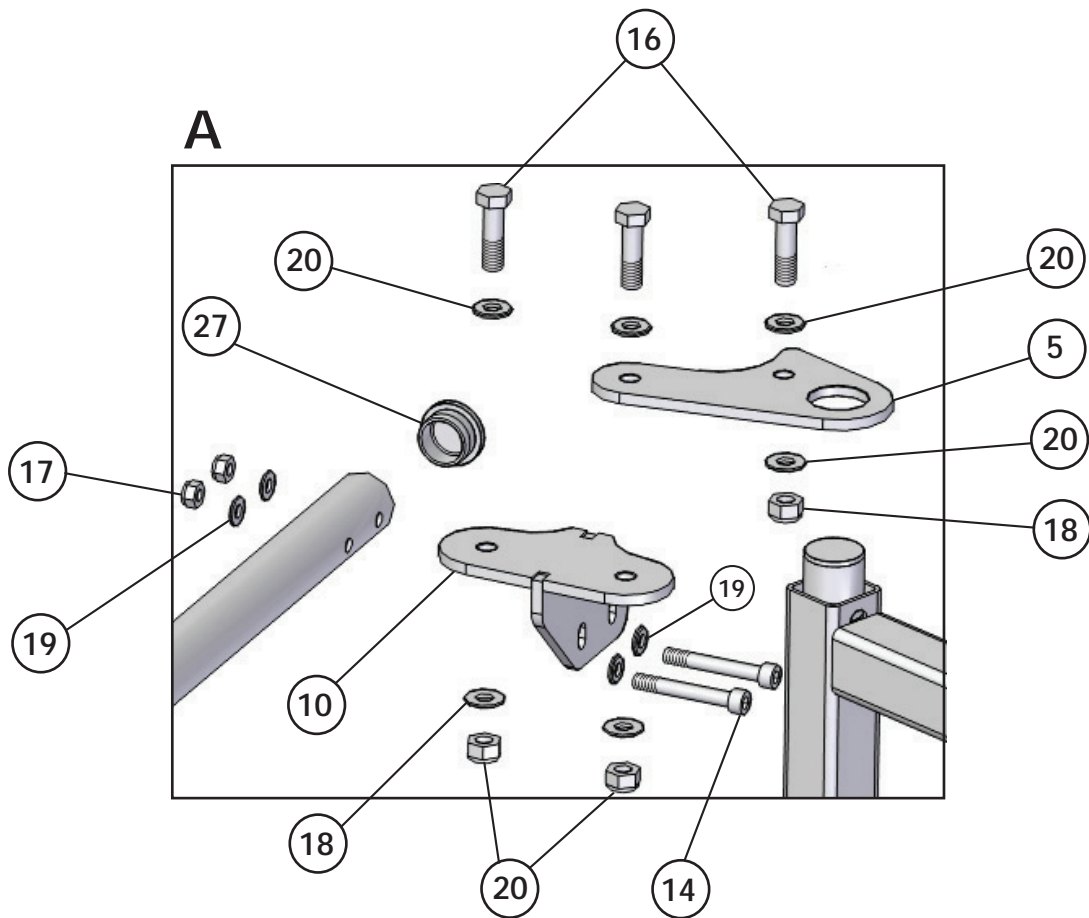


12.3

NO	QTY	DESCRIPTION	SCANCODE
1	1	Left door	PG119040
2	1	Right door	PG119087
3	1	Lock ZB-88	PG116585
4	1	Landing door frame	PG116216
5	1	Cover	PG117243
6	2	Sleeve	PG117052
7	1	Angle bar	PG115745
8	1	Angle bar	PG115746
9	4	Screw M8x20 8.8 A4J	10006350
10	8	Screw M10x25 8.8 A4J	10005653
11	4	Nut M8 8B A4J	10006281
12	8	Nut M10 8B A4J	10006286
13	8	Washer 8,4	10006178
14	16	Washer 10,5	10006186
15	4	Washer 19 A4	



NO	QTY	DESCRIPTION	SCANCODE
1	1	Gate frame	PG106175
2	1	Sheet metal	PG106189
3	1	Half gate left	PG106387
4	1	Half gate right	PG106389
5	2	Sheet metal	PG106397
6	8	Pin	PG106399
7	2	Lever II	PG106432
8	2	Tie I	PG106434
9	2	Lever guide	PG106437
10	2	Railing holder I (left side)	PG106442
11	2	Railing holder II (right side)	PG106444
12	2	Catch	PG106446
13	2	Railing	PG106450
14	12	Screw M6x45 8.8A4J	10005521
15	3	Screw M8x25 8.8A4J	10005564
16	10	Screw M8x30 8.8A4J	10005567
17	12	Nut M6 8B A4J	10006278
18	10	Nut M8 8B A4J	10006281
19	24	Washer 6,4 Fe/Zn12bcA	10006175
20	20	Washer 8,4 Fe/Zn12bcA	10006178
21	8	Washer 10,5 Fe/Zn12bcA	10006186
22	2	Washer 25 Fe/Zn12bcA	10006217
23	8	Pin 2,5x16 Zn/Fe12bcA	10006514
24	2	Pin 4x40 Zn/Fe12bcA	10006522
25	3	Rivet M8-30 TSNR	10006418
26	2	Stopper SR1011	10003394
27	4	Stopper SR1011	10003395
28	2	Stopper F48 2.5-5S	10003382
29	2	Ball bearing	10000145
30	1	Holder of control box OP4	PG118066



NO	QTY	DESCRIPTION	SCANCODE
1	1	Gate frame	PG106175
2	1	Sheet metal	PG106189
3	1	Half gate left	PG106387
4	1	Half gate right	PG106389
5	2	Sheet metal	PG106397
6	8	Pin	PG106399
7	2	Lever II	PG106432
8	2	Tie I	PG106434
9	2	Lever guide	PG106437
10	2	Railing holder I (left side)	PG106442
11	2	Railing holder II (right side)	PG106444
12	2	Catch	PG106446
13	2	Railing	PG106450
14	12	Screw M6x45 8.8A4J	10005521
15	3	Screw M8x25 8.8A4J	10005564
16	10	Screw M8x30 8.8A4J	10005567
17	12	Nut M6 8B A4J	10006278
18	10	Nut M8 8B A4J	10006281
19	24	Washer 6,4 Fe/Zn12bcA	10006175
20	20	Washer 8,4 Fe/Zn12bcA	10006178
21	8	Washer 10,5 Fe/Zn12bcA	10006186
22	2	Washer 25 Fe/Zn12bcA	10006217
23	8	Pin 2,5x16 Zn/Fe12bcA	10006514
24	2	Pin 4x40 Zn/Fe12bcA	10006522
25	3	Rivet M8-30 TSNR	10006418
26	2	Stopper SR1011	10003394
27	4	Stopper SR1011	10003395
28	2	Stopper F48 2.5-5S	10003382
29	2	Ball bearing	10000145
30	1	Holder of control box OP4	PG118066

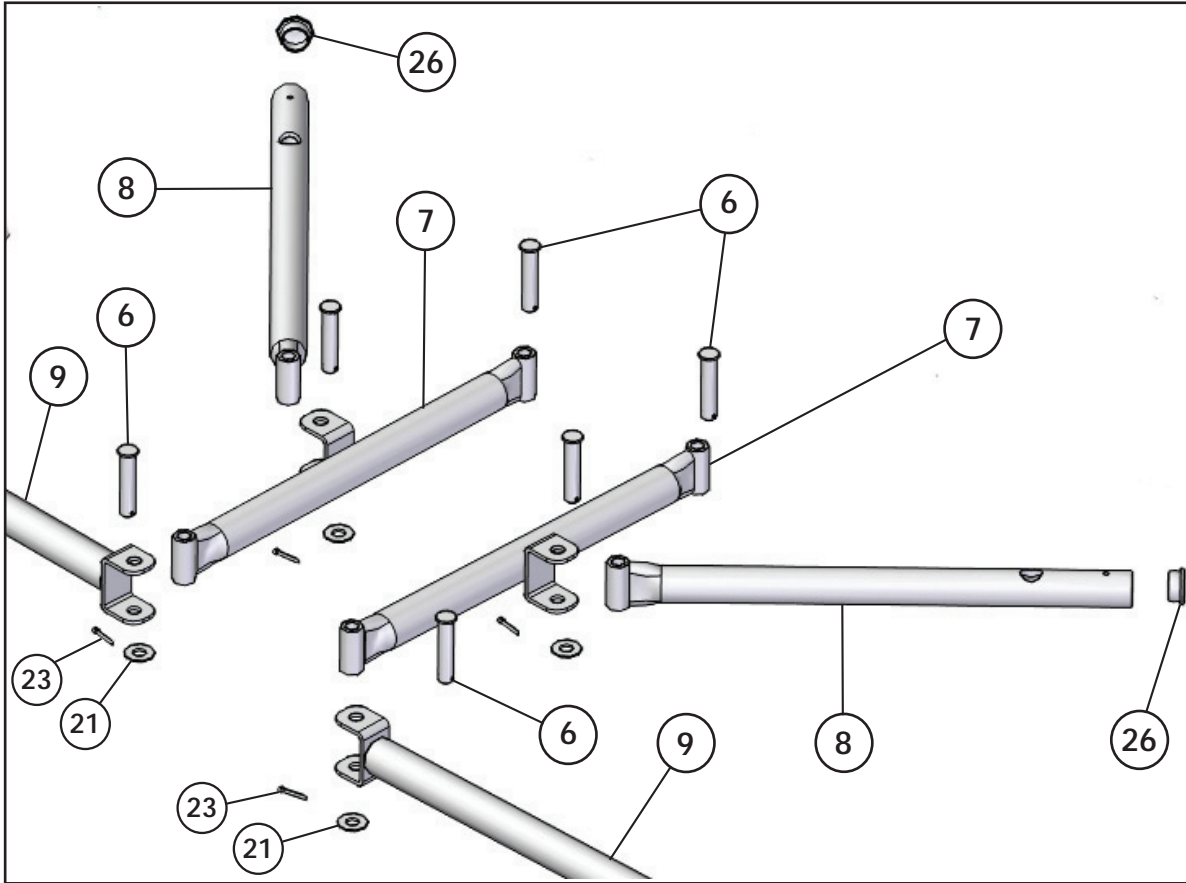
13

GATE

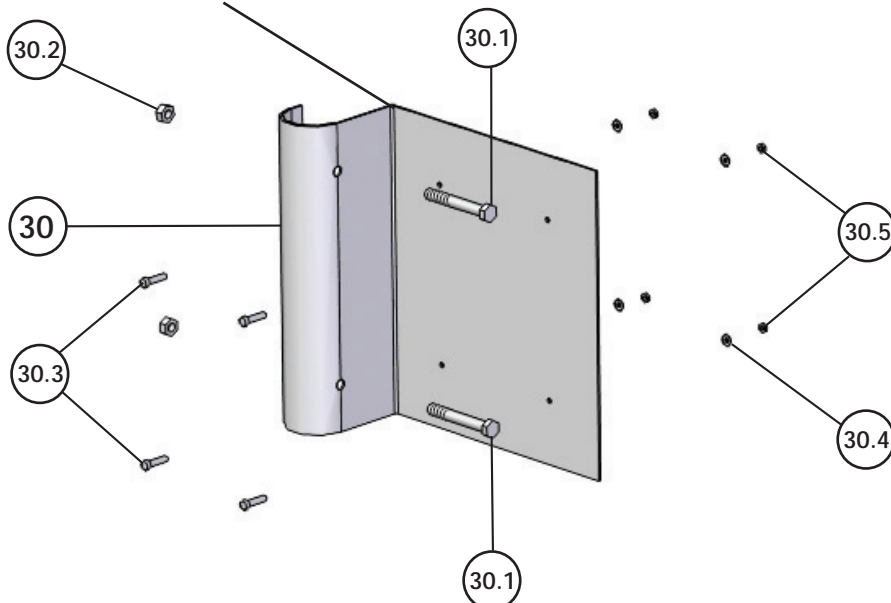
PG106451

Part 3

C



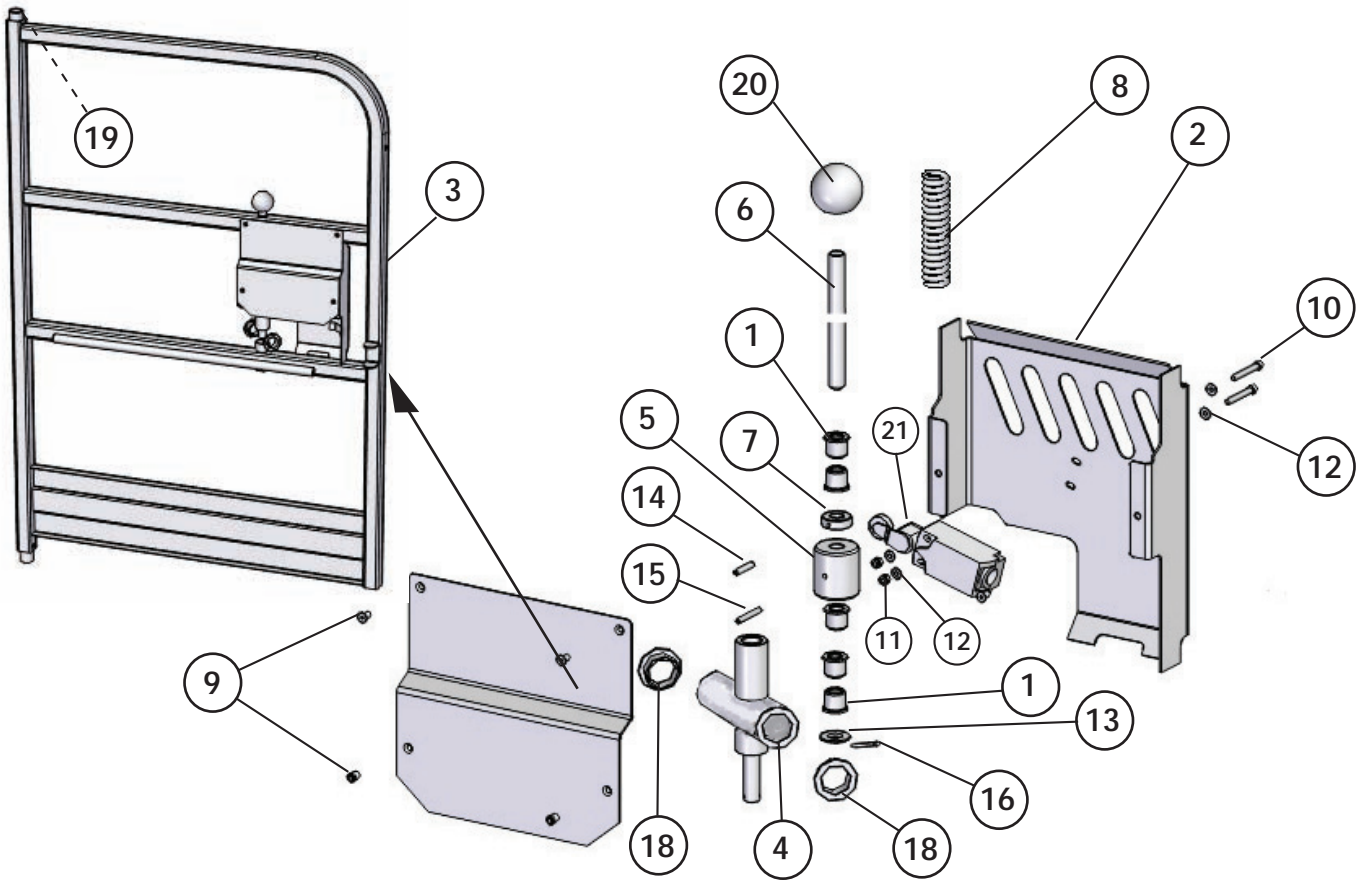
Holder of control box OP4
PG118066



NO	QTY	DESCRIPTION	SCANCODE
1	1	Gate frame	PG106175
2	1	Sheet metal	PG106189
3	1	Half gate left	PG106387
4	1	Half gate right	PG106389
5	2	Sheet metal	PG106397
6	8	Pin	PG106399
7	2	Lever II	PG106432
8	2	Tie I	PG106434
9	2	Lever guide	PG106437
10	2	Railing holder I (left side)	PG106442
11	2	Railing holder II (right side)	PG106444
12	2	Catch	PG106446
13	2	Railing	PG106450
14	12	Screw M6x45 8.8A4J	10005521
15	3	Screw M8x25 8.8A4J	10005564
16	10	Screw M8x30 8.8A4J	10005567
17	12	Nut M6 8B A4J	10006278
18	10	Nut M8 8B A4J	10006281
19	24	Washer 6,4 Fe/Zn12bcA	10006175
20	20	Washer 8,4 Fe/Zn12bcA	10006178
21	8	Washer 10,5 Fe/Zn12bcA	10006186
22	2	Washer 25 Fe/Zn12bcA	10006217
23	8	Pin 2,5x16 Zn/Fe12bcA	10006514
24	2	Pin 4x40 Zn/Fe12bcA	10006522
25	3	Rivet M8-30 TSNR	10006418
26	2	Stopper SR1011	10003394
27	4	Stopper SR1011	10003395
28	2	Stopper F48 2.5-5S	10003382
29	2	Ball bearing	10000145
30	1	Holder of control box OP4	PG118066
30.1	2	Screw M8x65 8.8A4J	10005610
30.2	2	Nut M8 8B A4J	10006281
30.3	4	Screw M4x20 8.8A4J	10005438
30.4	4	Washer 4,3 Fe/Zn12bcA	10006168
30.5	4	Nut M4 -8 A4J	10006311

13.1

HALF GATE RIGHT complete PG106389

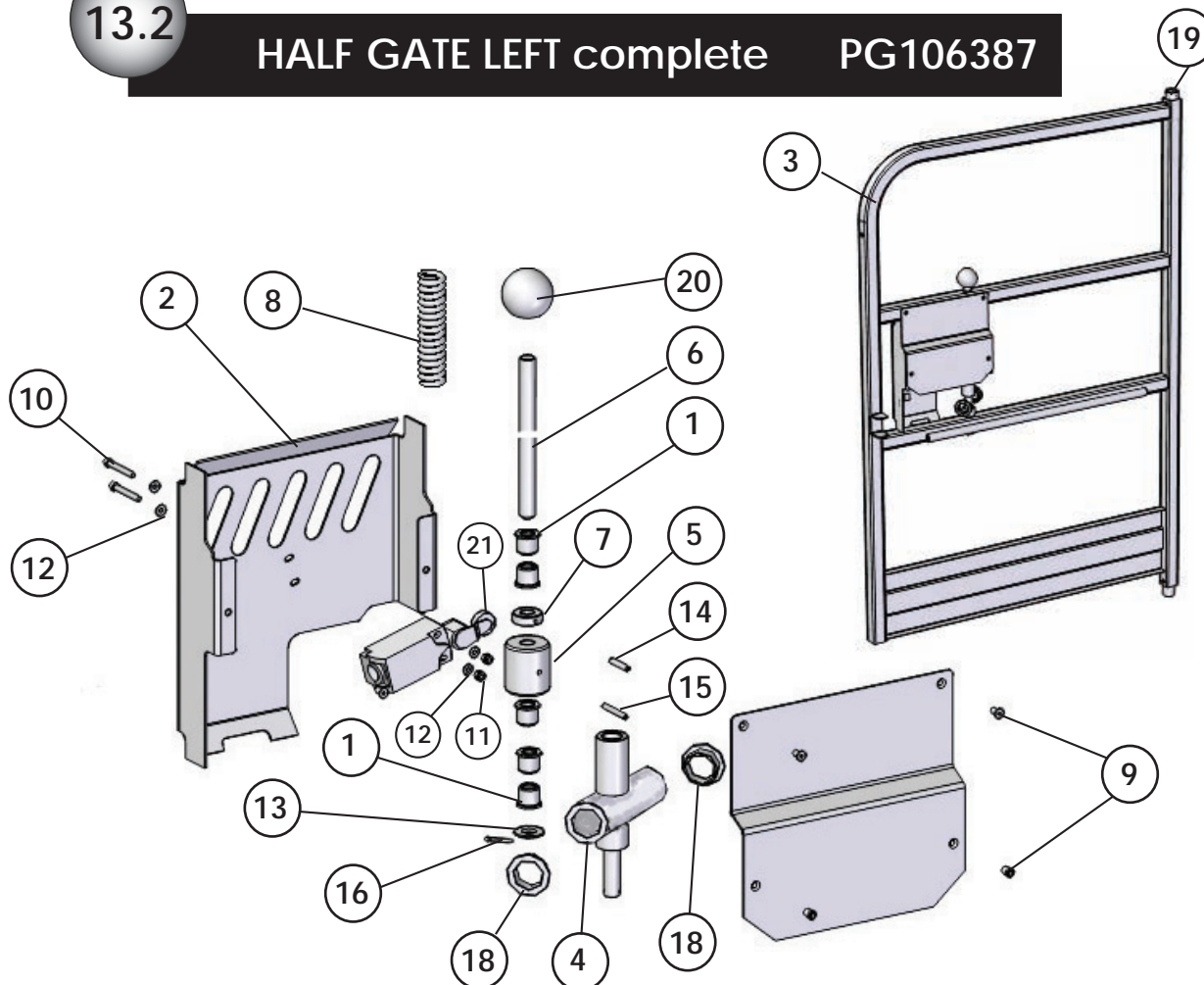


NO	QTY	DESCRIPTION	SCANCODE
2	1	Sheet metal	PG106349
3	1	Half gate right	PG106371
4	1	Lock guide	PG106383
5	1	Sleeve	PG106384
6	1	Lock bar	PG106385
7	1	Ring	PG106386
8	1	Spring	PG106396
9	4	Screw M4x10 8.8 A4J	10005429
10	2	Screw M4x35 8.8 A4J	10005440
11	2	Nut RM4 5B A4J	10006271
12	4	Washer 4,3 Fe/Zn12bcA	10006168
13	1	Washer 13 Fe/Zn12bcA	10006196
14	1	Pin 4x24	10006423
15	1	Pin 4x30 A4J	10006425
16	1	Safety pin 2,5x16 Fe/Zn12bcA	10006514
17	4	Rivet M4	10006415
18	2	Ball bearing	10000145
19	1	Stopper SR1011	10003394
20	1	Ball control M12 A40	10000830
21	1	Final limit switch	10000830

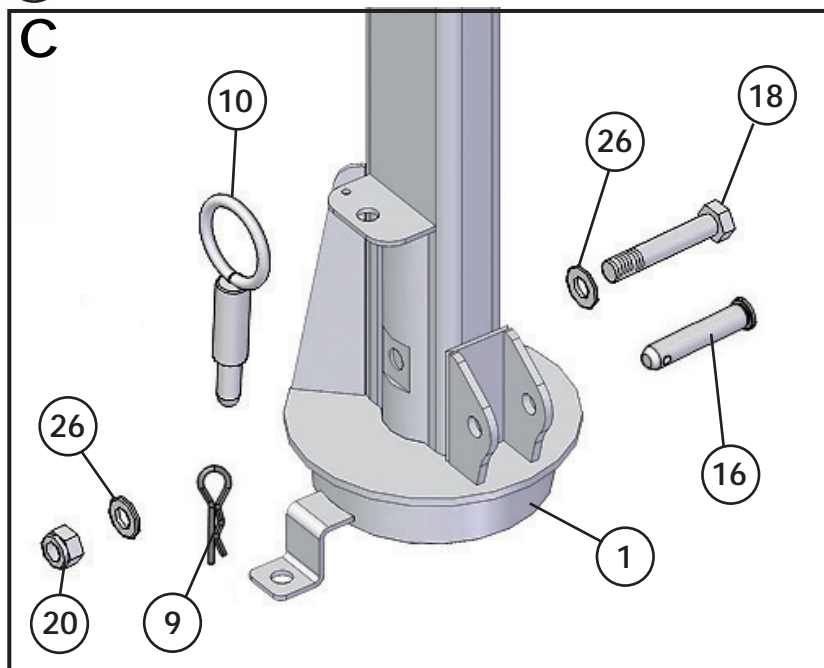
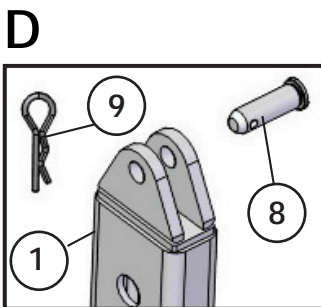
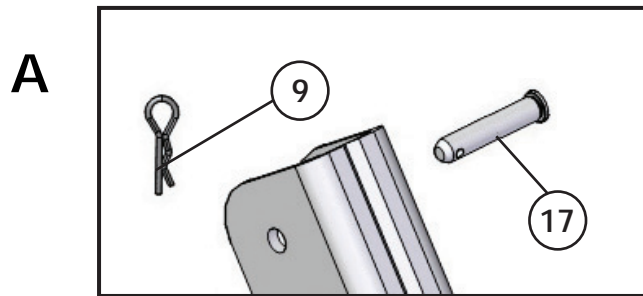
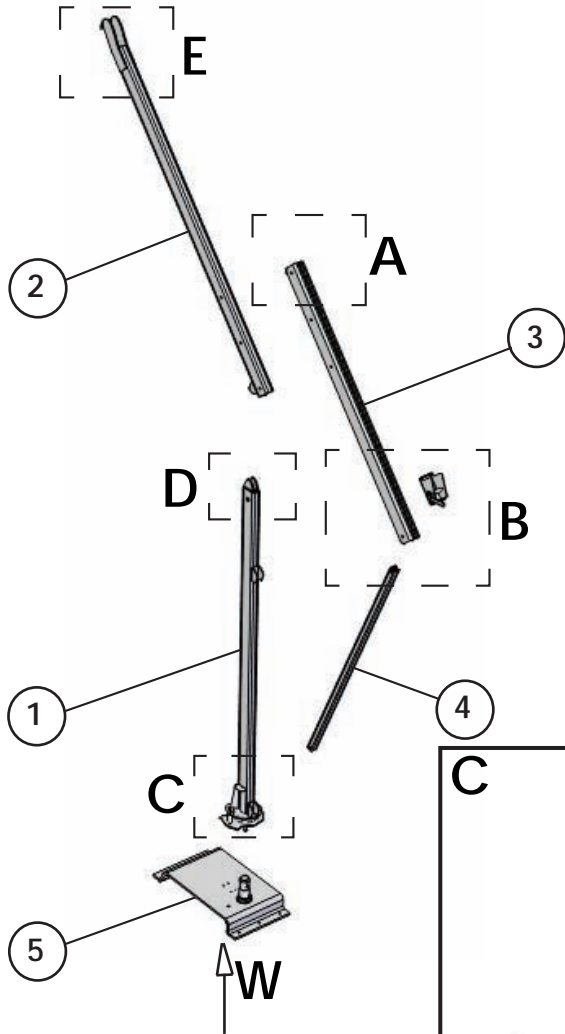
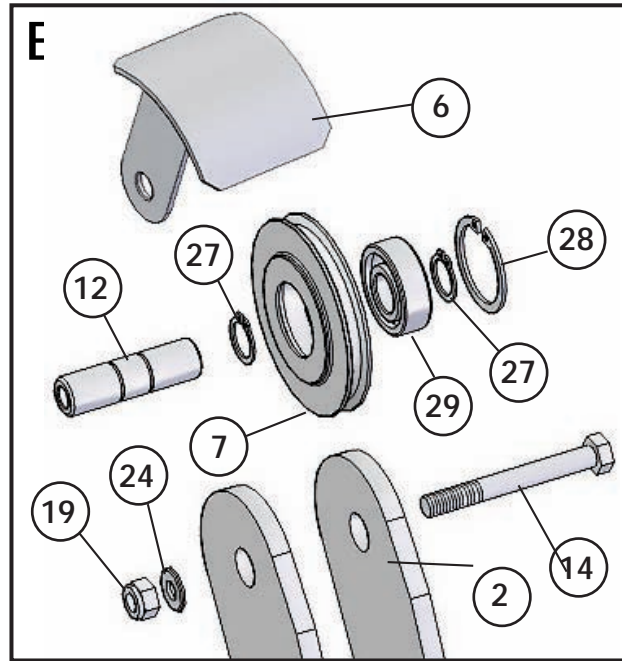
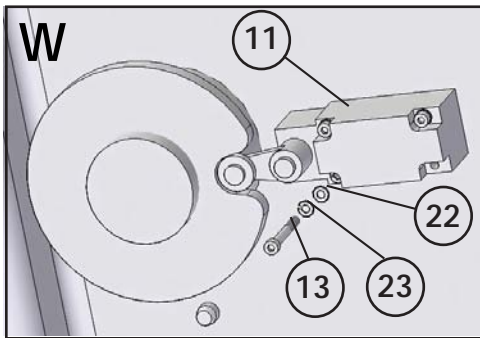
13.2

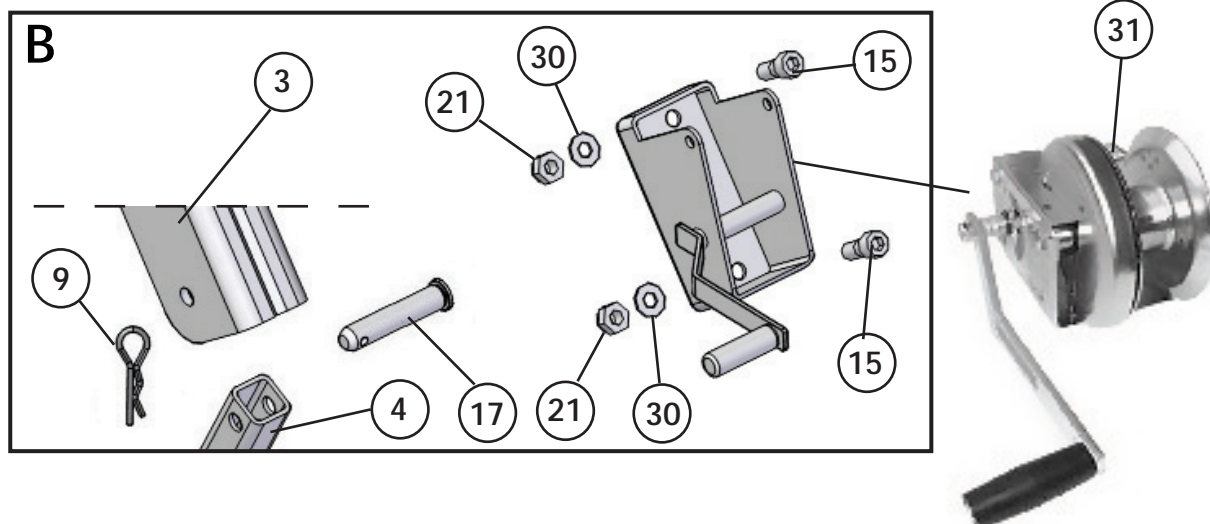
HALF GATE LEFT complete

PG106387



NO	QTY	DESCRIPTION	SCANCODE
1	5	Sleeve	PG105921
2	1	Sheet metal	PG106349
3	1	Half gate right	PG106358
4	1	Lock guide	PG106383
5	1	Sleeve	PG106384
6	1	Lock bar	PG106385
7	1	Ring	PG106386
8	1	Spring	PG106396
9	4	Screw M4x10 8.8 A4J	10005429
10	2	Screw M4x35 8.8 A4J	10005440
11	2	Nut RM4 5B A4J	10006271
12	4	Washer 4,3 Fe/Zn12bcA	10006168
13	1	Washer 13 Fe/Zn12bcA	10006196
14	1	Pin 4x24	10006423
15	1	Pin 4x30 A4J	10006425
16	1	Safety pin 2,5x16 Fe/Zn12bcA	10006514
17	4	Rivet M4	10006415
18	2	Ball bearing	10000145
19	1	Stopper SR1011	10003394
20	1	Ball control M12 A40	10000830
21	1	Final limit switch	10000830

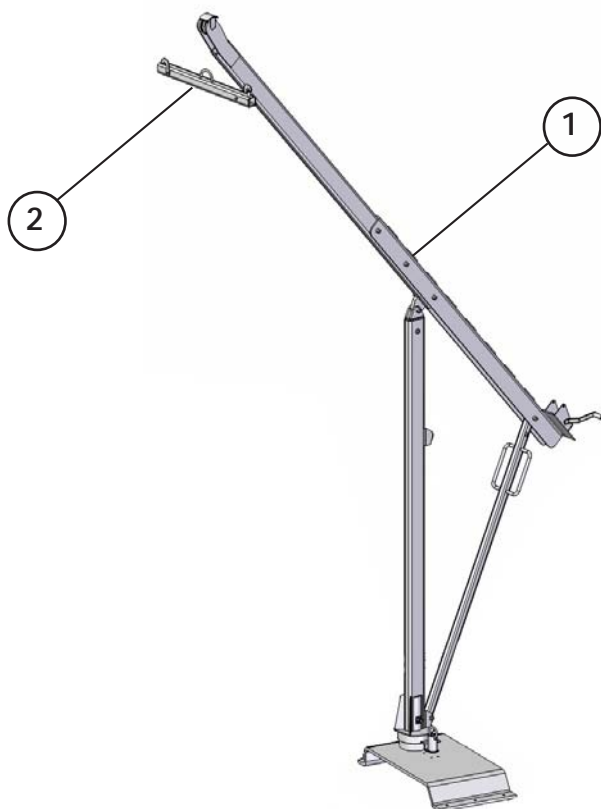




NO	QTY	DESCRIPTION	SCANCODE
1	1	Column	PG117863
2	1	Arm	PG117833
3	1	Short arm of crane	PG117838
4	1	Beam	PG117840
5	1	Bracket complete	PG118320
6	1	Cover	PG119622
7	1	Wheel	PG117746
8	1	Safety pin	PG117591
9	6	Locking splint	PG100168
10	1	Safety pin	PG117716
11	1	Switch XCK-J10513	10002888
12	1	Roller axle	PG117876
13	12	Screw M5x45 8.8 A4J	10005477
14	1	Screw M8x70 5.8 A4J	10005613
15	2	Screw M10x25 8.8 A4J	10008062
16	1	Safety pin	PG121898
17	4	Safety pin	PG121897
18	1	Screw M12x70 10.9 A4J	10008063
19	1	Nut M8 8B	10006281
20	6	Nut M12 A4-80	10006292
21	1	Nut M10 8A	10006286
22	4	Washer 5,3	10006173
23	4	Spring washer Z5,1	10006231
24	2	Washer 8,4 Fe/Zn12bcA	10006178
25	12	Washer ISO 7093-1-10-200 HV	10006189
26	1	Washer ISO 7089-12-200 HV	10006196
27	2	Spring retaining ring Z15	10000888
28	1	Spring retaining ring W35	10000899
29	2	Ball bearing 6220	10000103
30	4	Washer ISO 7089-10-200 HV	10006186
31	1	Winch WP500 cat. Knott	10000281

14.1

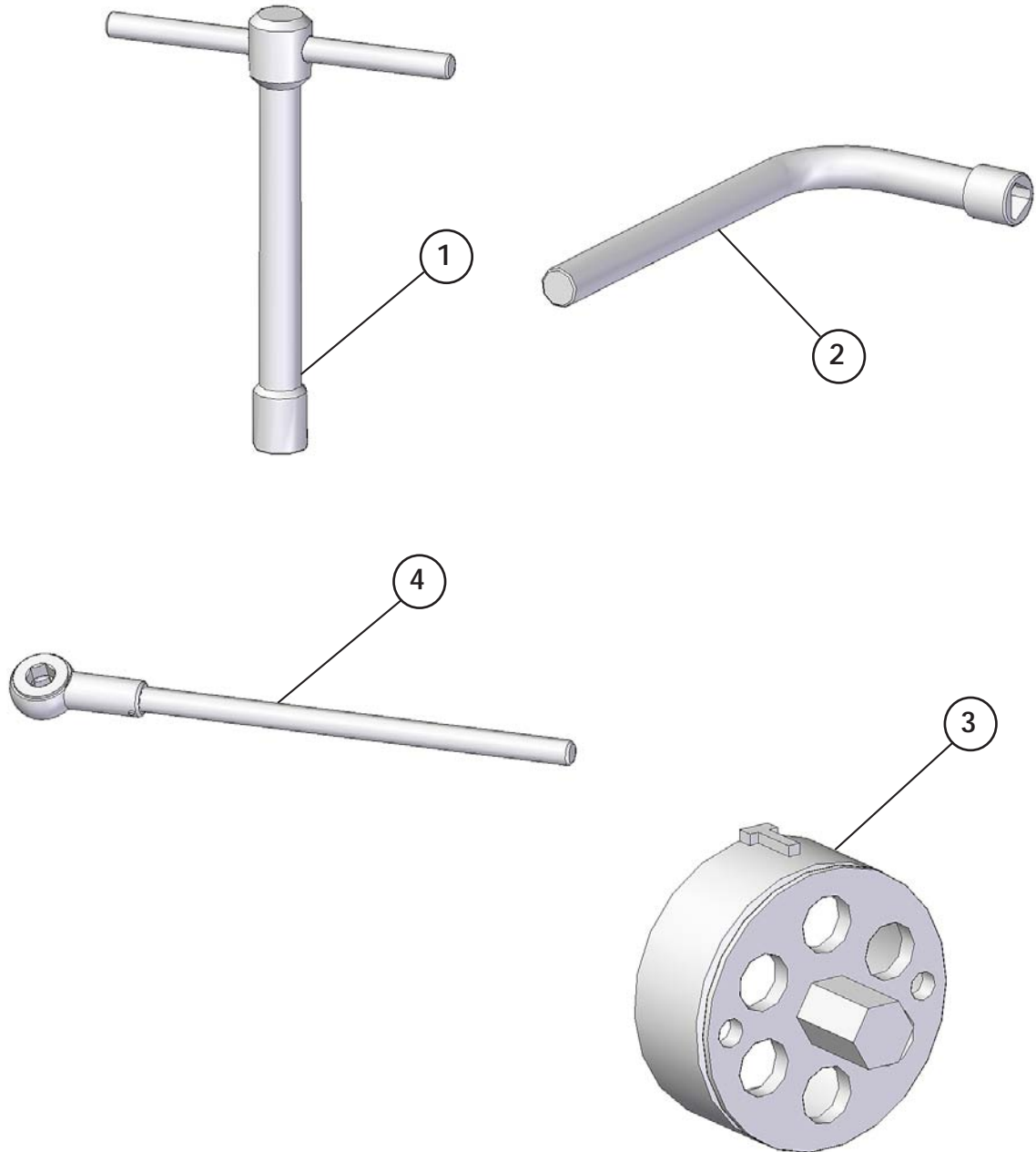
MAST SECTION LIFTING ARM COMPL. PG121999



NO	QTY	DESCRIPTION	SCANCODE
1	1	Mast section lifting arm	PG121983
2	1	Hang	PG121920

15

TOOLS



NO	QTY	DESCRIPTION	SCANCODE
1	1	Triangular key	PG117331
2	1	Stop landing locking beam key	PG104471
3	1	Special key	PG113370
4	1	Jack wrench	PG105051