

ULTRA BOOM AERIAL WORK PLATFORMS



JLG[®]
reachingout

www.jlgeurope.com



Performance unleashed.

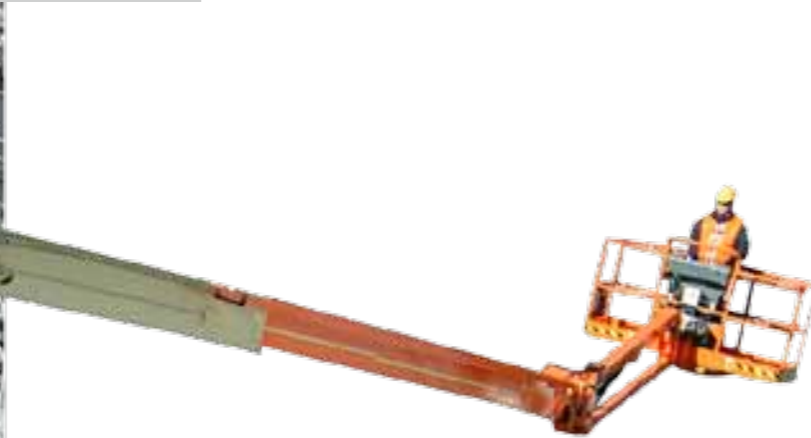
Steel mills and chemical plants, airports, convention centers, shipyards and heavy construction. JLG® Ultra Series boom lifts are designed for rugged job sites that demand you work higher and reach further. With four decades of experience, JLG knows the territory. You need the power, reliability and versatility to get you up in the air.

JLG Ultra Series boom lifts are made from high quality steel, and they'll lift up to 450 kgs.

When you're working ten stories high, you want a machine that gives you both the confidence and the reliability to do your work; that's built to perform and that's designed to meet any challenge—that's the JLG Ultra Series.



ULTRA SERIES
ARTICULATING BOOM LIFTS



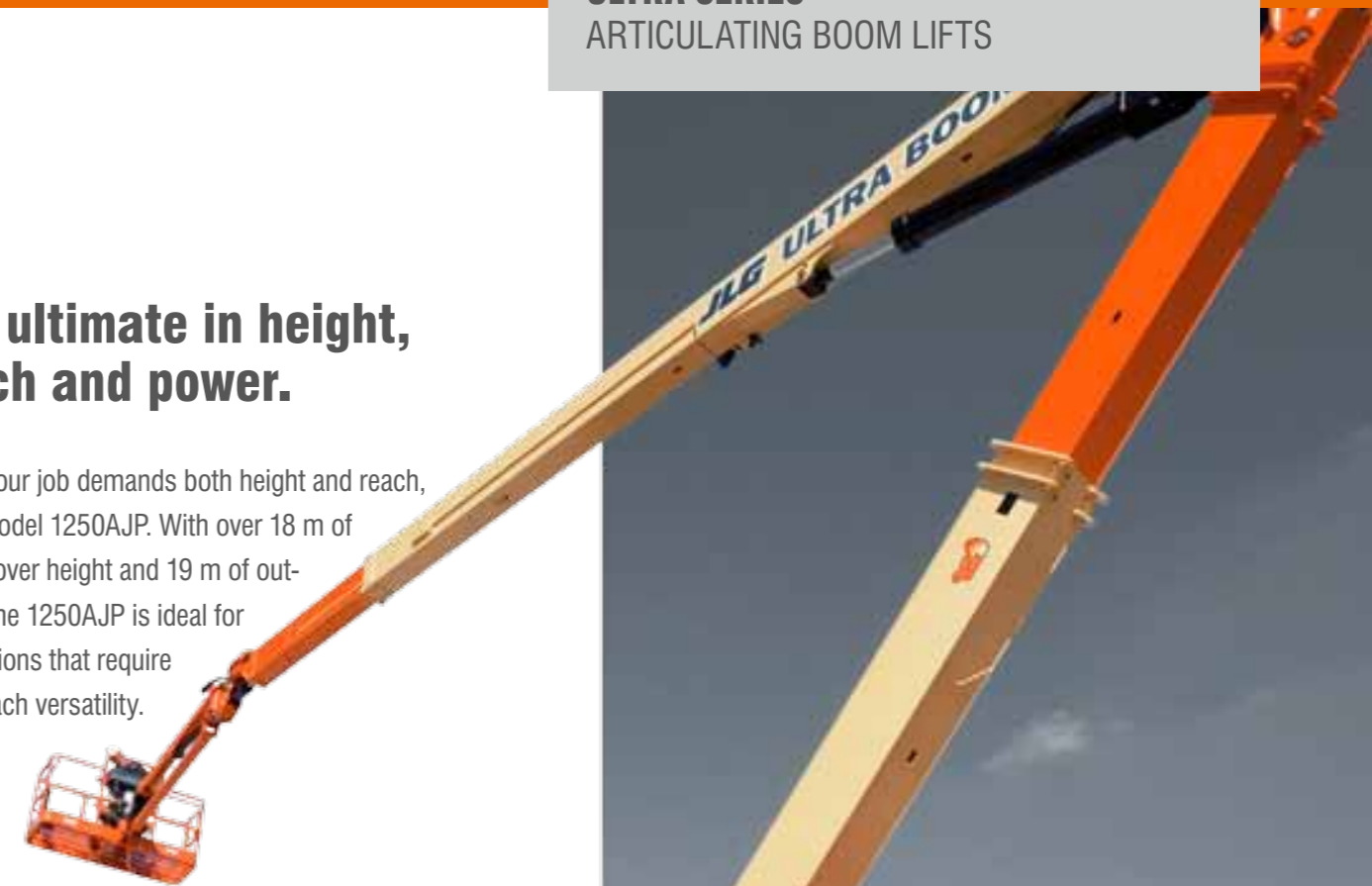
MODEL 1250AJP FEATURES

- **QuikStik® Advantage.** Go from full platform elevation to the ground in 115 seconds.
- **Unmatched Range of Motion.** With up and over height of 18.44 m and 19.25 m of horizontal outreach, the 1250AJP gets you where you need to work.
- **Ultra Mobility.** Go where others can't, thanks to the tight turning radius, three steering modes and the only oscillating axle in its class.

ULTRA SERIES
ARTICULATING BOOM LIFTS

The ultimate in height, reach and power.

When your job demands both height and reach, enlist Model 1250AJP. With over 18 m of up and over height and 19 m of out-reach, the 1250AJP is ideal for applications that require high-reach versatility.



The exclusive QuikStik® boom design provides faster cycle speeds – 115 seconds from ground to elevation – so you can get work done quickly and efficiently.

JLG Ultra Series boom lifts come with the only oscillating axle in their boom class, giving you surprising mobility in an ultra-sized package.

MODEL 1250AJP ADVANTAGES

- Optimum manoeuvrability with 4-wheel steer.
- Automatic platform leveling provides operator comfort at 38 m.
- Dual capacity for more workers, tools or materials.
- Workstation in the Sky® accessories provide ultimate versatility.





Taking productivity to greater heights.

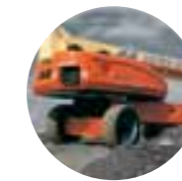
When you're facing tall challenges, you want a solid machine that goes above and beyond the day's demands. The rugged boom gives you the confidence and support you need to handle 450 kgs capacity.

The exclusive controlled arc regulates speeds at the edges of the work envelope so that you feel the same velocity in all positions for enhanced comfort.

ULTRA SERIES TELESCOPIC ADVANTAGES

- Full-time four-wheel drive gets you over rough terrain.
- Optional SkyPower® a 7,500 watts on-board generator.
- Envelope tracking system regulates speeds at work envelope edges to enhance your comfort.
- JibPLUS® boom allows the platform to reach around corners.*

* Capacity restricted to 230 kg when the jib is in side-swing mode.
JibPLUS for transport only for 1500SJ.



Conquer Rough Terrain
With the tightest turning radius, best crab steer ratio and only oscillating axle in its class, you can go where other boom lifts simply can't.

Extend your reach with the 1500SJ.

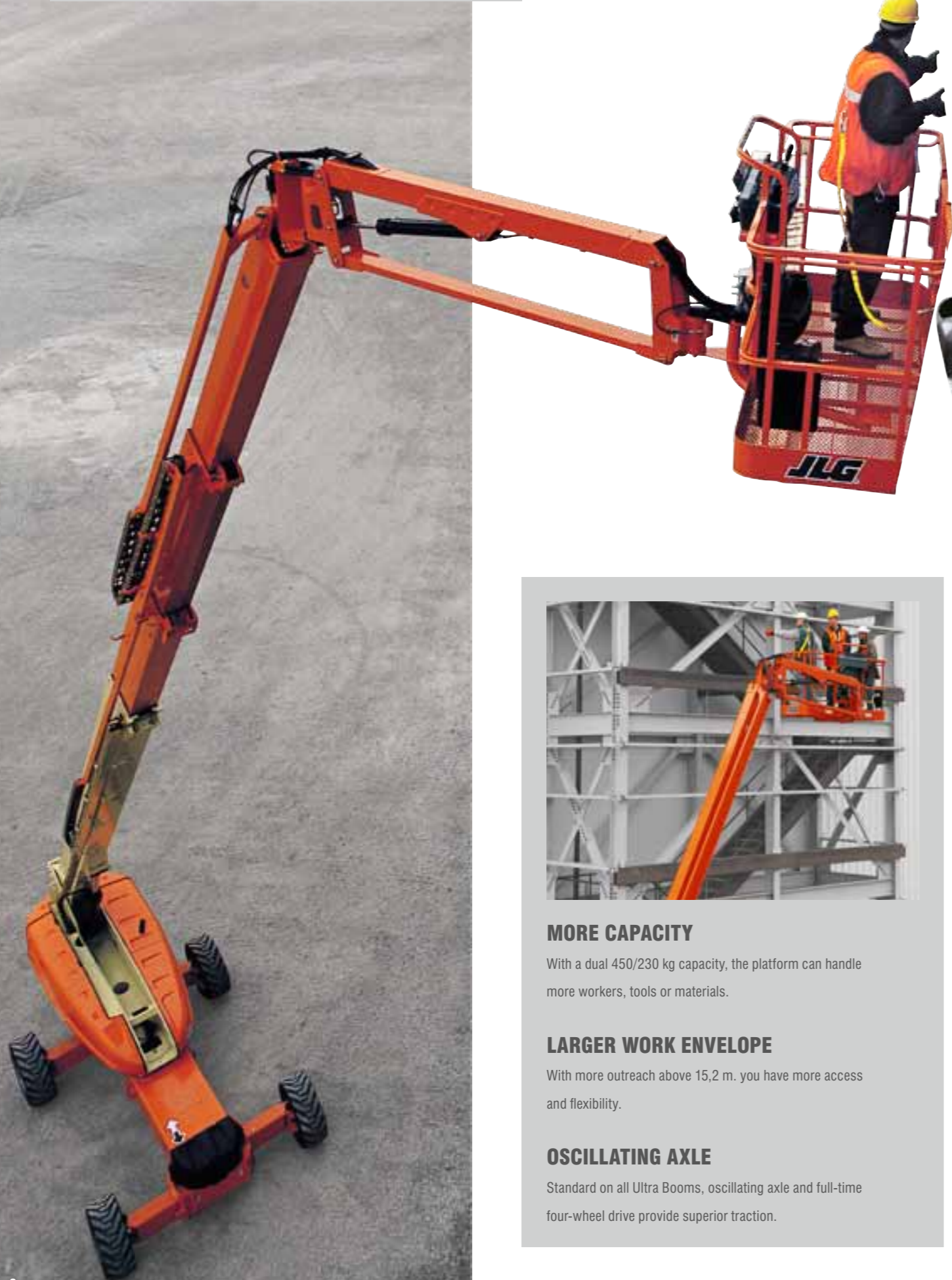
The Model 1500SJ is the largest self-propelled telescopic boom available from JLG – the first straight boom lift that takes you to 45 m without an oversized load permit.

The 1500SJ features a telescoping jib for greater work envelope flexibility and additional outreach at elevation.



ULTRA SERIES
TELESCOPIC BOOM LIFTS

ALL SERIES
CONTROL ADE® SYSTEM



MORE CAPACITY

With a dual 450/230 kg capacity, the platform can handle more workers, tools or materials.

LARGER WORK ENVELOPE

With more outreach above 15,2 m. you have more access and flexibility.

OSCILLATING AXLE

Standard on all Ultra Booms, oscillating axle and full-time four-wheel drive provide superior traction.

Control ADE® System.

JLG's Exclusive Advanced Design Electronics (Control ADE) System helps optimise productivity while lowering your owning and operating costs.

CONTROL ADE® SYSTEM FEATURES

- **Commonality of Components** – The Control ADE System is standard across all JLG engine powered boom models.
- **Higher Productivity** – Provides smoother machine functions, increased fuel efficiency and reduced emissions
- **Enhanced Reliability** – Significantly reduces the number of wires and connections.
- **Improved Serviceability** – The self-test capability reduces troubleshooting time and identifies potential problems.
- **Enhanced Performance** – Allows function speeds and options to be customized to meet customer preferences.



Lift/Swing

Multiple use of control – lift and swing can be operated simultaneously.



DRIVE CONTROL

Ease of drive operation – joystick with integrated thumb steer.



GROUND CONTROL CONSOLE

Mounted in the turntable, the ground control console features function symbols to guide you.



Workstation in the Sky® accessories.

Transform your Ultra Series boom lift into a versatile, productivity-enhancing machine with exclusive Workstation in the Sky® products.

Our accessories are built to conserve platform space, improve working conditions and turn your lift into one giant work tool.

SKYPOWER® PACKAGE

The SkyPower system includes a self-contained 7500W continuous output generator with a power cable, and an air/water line installed in the power track.

SKYWELDER® PACKAGE

Available when integrated with the SkyPower® package.

SKYGLAZIER® PACKAGE

The first and only factory-approved glass and panel tray. Panels are protected from damage and productivity is improved while operator fatigue is reduced. And, with JLG 450 kg capacity, the basket can hold multiple workers and larger glass panels.

NITE BRIGHT® PACKAGE

This package consists of 40-watt lights to illuminate your work site plus the area around the chassis for increased visibility. It is perfect for tunnel or mine applications, nighttime work or any job with low lighting levels.



AERIAL WORK PLATFORMS SPECIFICATIONS

Standard Features

Platform:
 0.91 x 2.44 m Side Entry
 2.44 m JibPLUS® Boom
 Selectable Capacity Envelope
 180° Hydraulic Platform Rotator
 AC Receptacle to the Platform
 5 Degree Tilt Alarm/Indicator Light
 Swing-Out Engine Tray
 12V DC Auxiliary Power
 Hourmeter
 Control ADE® System
 Full-time 4WD
 3 Selectable Steering Modes
 Drive-out Extendible Axles
 Oscillating Axle
 Proportional Controls
 Gull-Wing Hoods
 Operator Tool Tray
 445/50D710 Foam Filled Lug Tread Tyres
 Lifting/Tie Down Lugs

Available Options

Platform:
 0.91 x 1.83 m Side Entry
 Light Package¹
 Flashing Beacon
 Soft-Touch System Platform
 1.83 m/2.44 m
 Hostile Environment Package²
 1. Includes platform mounted work lights and drive/backup lights.
 2. Includes console cover, boom wipers and cylinder bellows.

Accessory Packages

SkyWelder®
 SkyPower™
 SkyGlazier®
 Nite Bright®

1250AJP

Ultra Series Articulating Boom Lifts

Reach Specifications

Platform Height	38.30 m
Horizontal Reach	19.25 m
Up and Over Height	18.44 m
Swing	360° Continuous
Platform Capacity – Restricted	450 kg
Platform Capacity – Unrestricted	230 kg
Platform Rotator	180°
JibPLUS®	Length 2.44 m
	Horizontal Motion¹ 125°
	Vertical Motion 130° (+75/-55)

Dimensional Data

A. Platform Size	0.91 x 2.44 m	
B. Overall Width	Axles Retracted	2.49 m
Overall Width	Axles Extended	3.81 m
C. Tailswing	91 cm	
D. Stowed Height	3.05 m	
E. Overall Length	Jib Stowed	11.46 m
Overall Length	Jib Deployed	14.48 m
F. Wheel Base	3.81 m	
Ground Clearance	0.3 m	
Weight²	21,000 kg	

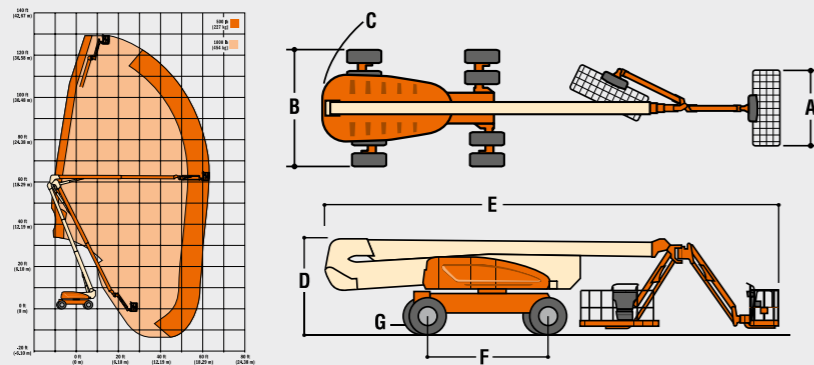
Chassis

Max Ground Bearing Pressure*	7.03 kg/cm²	
Drive Speed	5.2 km/h	
Gradeability	45%	
Turning Radius (Inside)	Axles Retracted	4.39 m
	Axles Extended	2.44 m
Turning Radius (Outside)	Axles Retracted	6.86 m
	Axles Extended	5.89 m
Crab Steer Ratio³	1:1	
Axle Oscillation	30 cm	
Tyres/Type	445/50D710 Foam Filled	

Power Source

Diesel Engine	Deutz TD2011L4	55.9 kW
Fuel Tank Capacity	117 L	
Hydraulic System	390 L	
Auxiliary Power	12V DC	

* Ground bearing pressure applies to standard tyres.
 1. Capacity is limited to 230 kg when JibPLUS is extended horizontally.
 2. Certain options or country standards increase weight.
 3. Ratio of forward travel to lateral travel.



AERIAL WORK PLATFORMS SPECIFICATIONS

Standard Features

Platform:
 0.91 x 2.44 m Side Entry
 2.44 m JibPLUS® Boom
 Selectable Capacity Envelope
 180° Hydraulic Platform Rotator
 AC Receptacle to the Platform
 5 Degree Tilt Alarm/Indicator Light
 Swing-Out Engine Tray
 12V DC Auxiliary Power
 Hourmeter
 Control ADE® System
 Full-time 4WD
 3 Selectable Steering Modes
 Drive-out Extendible Axles
 Oscillating Axle
 Proportional Controls
 Gull-Wing Hoods
 Operator Tool Tray
 445/50D710 Foam Filled Lug Tread Tyres
 Lifting/Tie Down Lugs

Available Options

Platform:
 0.91 x 1.83 m Side Entry
 Light Package¹
 Flashing Beacon
 Soft-Touch System Platform
 1.83 m/2.44 m
 Hostile Environment Package²
 1. Includes platform mounted work lights and drive/backup lights.
 2. Includes console cover, boom wipers and cylinder bellows.

Accessory Packages

SkyWelder®
 SkyPower™
 SkyGlazier®
 Nite Bright®

1200SJP

Ultra Series Telescopic Boom Lifts

Reach Specifications

Platform Height	36.73 m
Horizontal Reach	22.86 m
Swing	360° Continuous
Platform Capacity – Restricted	450 kg
Platform Capacity – Unrestricted	230 kg
Platform Rotator	180°
JibPLUS®	Length 2.44 m
	Horizontal Motion¹ 180°
	Vertical Motion 130° (+75/-55)

Dimensional Data

A. Platform Size	0.91 x 2.44 m	
B. Overall Width	Axles Retracted	2.49 m
Overall Width	Axles Extended	3.81 m
C. Tailswing	1.68 m	
D. Stowed Height	3.05 m	
E. Overall Length (Transport)	10.64 m	
Overall Length (Stowed)	13.67 m	
F. Wheel Base	3.81 m	
Ground Clearance	30 cm	
	65 cm	
Weight²	18,500 kg	

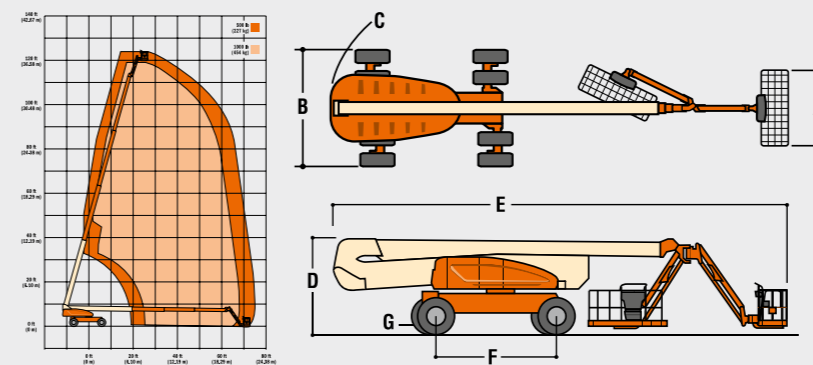
Chassis

Max Ground Bearing Pressure*	7.03 kg/cm²	
Drive Speed	5.2 km/h	
Gradeability	45%	
Turning Radius (Inside)	Axles Retracted	4.39 m
	Axles Extended	2.44 m
Turning Radius (Outside)	Axles Retracted	6.86 m
	Axles Extended	5.89 m
Crab Steer Ratio³	1:1	
Axle Oscillation	30 cm	
Tyres/Type	445/50D710 Foam Filled	

Power Source

Diesel Engine	Deutz TD2011L4	55.9 kW
Fuel Tank Capacity	117 L	
Hydraulic System	250 L	
Auxiliary Power	12V DC	

* Ground bearing pressure applies to standard tyres.
 1. Capacity is limited to 230 kg when JibPLUS is extended horizontally.
 2. Certain options or country standards increase weight.
 3. Ratio of forward travel to lateral travel.



• Available - Not available

AERIAL WORK PLATFORMS SPECIFICATIONS

Standard Features

Platform:
0.91 x 2.44 m Side Entry
2.44 m JibPLUS® Boom
Selectable Capacity Envelope
180° Hydraulic Platform Rotator
AC Receptacle to the Platform
5 Degree Tilt Alarm/Indicator
Light
Swing-Out Engine Tray
12V DC Auxiliary Power
Hourmeter
Control ADE® System
Full-time 4WD
3 Selectable Steering Modes
Drive-out Extendible Axles
Oscillating Axle
Proportional Controls
Gull-Wing Hoods
Operator Tool Tray
445/50D710 Foam Filled
Lug Tread Tyres
Lifting/Tie Down Lugs

Available Options

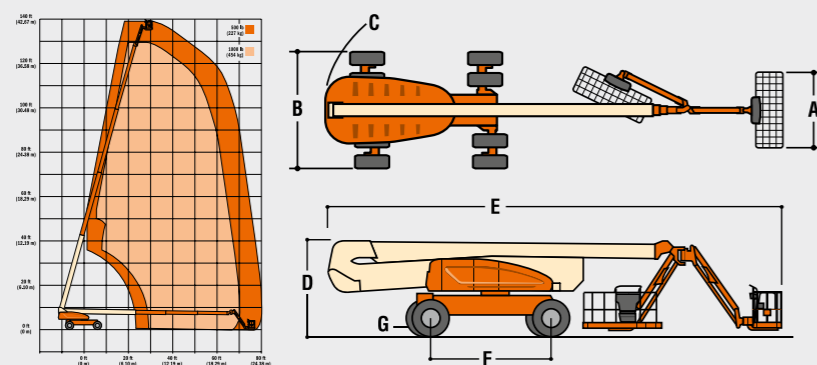
Platform:
0.91 x 1.83 m Side Entry
Light Package¹
Flashing Beacon
Soft-Touch System Platform
1.83 m/2.44 m
Hostile Environment Package²
1. Includes platform mounted
work lights and drive/backup
lights.
2. Includes console cover,
boom wipers and cylinder
bellows.

Accessory Packages

SkyWelder®
SkyPower™
SkyGlazier®
Nite Bright®

		1350SJP
Ultra Series Telescopic Boom Lifts		
Reach Specifications		
Platform Height		41.30 m
Horizontal Reach		24.38 m
Swing		360° Continuous
Platform Capacity – Restricted		450 kg
Platform Capacity – Unrestricted		230 kg
Platform Rotator		180°
JibPLUS®	Length	2.44 m
	Horizontal Motion ¹	180°
	Vertical Motion	130° (+75/-55)
Dimensional Data		
A. Platform Size		0.91 x 2.44 m
B. Overall Width	Axles Retracted	2.49 m
Overall Width	Axles Extended	3.81 m
C. Tailswing		1.68 m
D. Stowed Height		3.05 m
E. Overall Length (Transport)		11.86 m
Overall Length (Stowed)		14.89 m
F. Wheel Base		3.81 m
Ground Clearance		0.3 m
Weight ²		20,400 kg
Chassis		
Max Ground Bearing Pressure*		7.52 kg/cm ²
Drive Speed		5.2 km/h
Gradeability		45%
Turning Radius (Inside)	Axles Retracted	4.39 m
	Axles Extended	2.44 m
Turning Radius (Outside)	Axles Retracted	6.86 m
	Axles Extended	5.89 m
Crab Steer Ratio ³		1:1
Axle Oscillation		30 cm
Tyres/Type		445/50D710 Foam Filled
Power Source		
Diesel Engine	Deutz TD2011L4	55.9 kW
Fuel Tank Capacity		117 L
Hydraulic System		250 L
Auxiliary Power		12V DC

* Ground bearing pressure applies to standard tyres.
1. Capacity is limited to 230 kg when JibPLUS is extended horizontally.
2. Certain options or country standards increase weight.
3. Ratio of forward travel to lateral travel.



AERIAL WORK PLATFORMS SPECIFICATIONS

Standard Features

Platform:
0.91 x 2.44 m Side Entry
2.44 m Telescopic Jib
Selectable Capacity Envelope
180° Hydraulic Platform Rotator
AC Receptacle to the Platform
4 Degree Tilt Alarm/Indicator
Light
Swing-Out Engine Tray
12V DC Auxiliary Power
Hourmeter
Control ADE® System
Full-time 4WD
3 Selectable Steering Modes
Drive-out Extendible Axles
Oscillating Axle
Proportional Controls
Gull-Wing Hoods
Operator Tool Tray
445/50D710 Foam Filled
Lug Tread Tyres
Lifting/Tie Down Lugs

Available Options

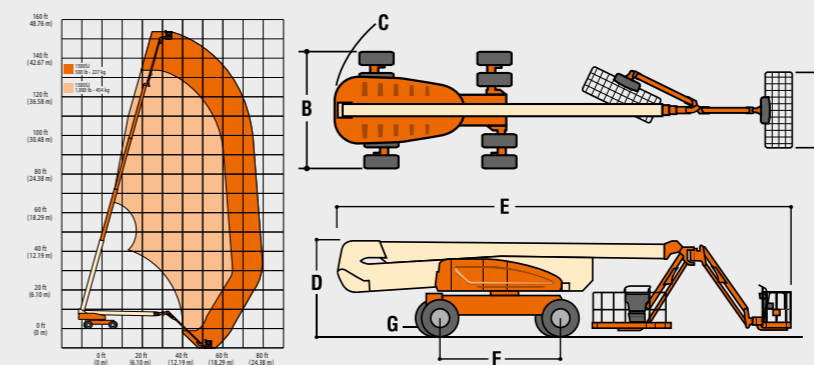
Platform:
0.91 x 1.83 m Side Entry
Light Package¹
Flashing Beacon
Soft-Touch System Platform
1.83 m/2.44 m
Hostile Environment Package²
1. Includes platform mounted
work lights and drive/backup
lights.
2. Includes console cover,
boom wipers and cylinder
bellows.

Accessory Packages

SkyWelder®
SkyPower™
SkyGlazier®
Nite Bright®

		1500SJ
Ultra Series Telescopic Boom Lifts		
Reach Specifications		
Platform Height		45.7 m
Horizontal Reach		24.38 m
Swing		360° Continuous
Platform Capacity – Restricted		450 kg
Platform Capacity – Unrestricted		230 kg
Platform Rotator		180°
Jib - Telescope	Retracted	4.62 m
	Extended	7.62 m
	Vertical Motion	120° (+75/-45)
Dimensional Data		
A. Platform Size		0.91 x 2.44 m
B. Overall Width	Axles Retracted	2.49 m
Overall Width	Axles Extended	3.81 m
C. Tailswing		1.68 m
D. Stowed Height		3.05 m
E. Overall Length (Transport)		13.11 m
Overall Length (Stowed)		18.82 m
F. Wheel Base		3.81 m
Ground Clearance		30 cm
Weight ²		22,000 kg
Chassis		
Max Ground Bearing Pressure*		7.95 kg/cm ²
Drive Speed		4.8 km/h
Gradeability		40%
Turning Radius (Inside)	Axles Retracted	4.39 m
	Axles Extended	2.44 m
Turning Radius (Outside)	Axles Retracted	6.86 m
	Axles Extended	5.89 m
Crab Steer Ratio ³		1:1
Axle Oscillation		30 cm
Tyres/Type		445/50D710 Foam Filled
Power Source		
Diesel Engine	Deutz TD2011L04	75.9 kW
Fuel Tank Capacity		117 L
Hydraulic System		250 L
Auxiliary Power		12V DC

* Ground bearing pressure applies to standard tyres.
1. Capacity is limited to 230 kg when Jib is extended.
2. Certain options or country standards increase weight.
3. Ratio of forward travel to lateral travel.



• Available - Not available

Deutschland**Tel: +49 (0) 421 693 5010**

JLG Deutschland GmbH
Max-Planck-Straße 21
D-27721 Ritterhude/Ihlpohl (Bei Bremen)

España**Tel: +34 93 772 47 00**

JLG Ibérica, SL
Trapadella, 2
Pol. Ind. Castellbisbal Sur
08755 Castellbisbal (Barcelona)

France**Tel: +33 (0) 553 88 31 70**

JLG France SAS
Zone Industrielle Guillaume mon Amy
F-47400 Tonneins

JLG Industries, Inc.**Tel: +1 717 485 5161****Fax: +1 717 485 5600**

1 JLG Drive
McConnellsburg, PA 17233-9553
USA

Italia**Tel: +39 02 9359 5210**

JLG Industries (Italia) s.r.l.
Via Po.22
20010 Pregnana Milanese -MI-

Russia**Tel: +7 (495) 967 79 14****Fax: +7 (495) 967 76 00**

Oshkosh Rus, LLC
Moscow City Embankment Tower
10 Presnenskaya Naberezhnaya Block C
Moscow 123317

JLG Manufacturing Europe bvba**Tel: +32 (0) 89 77 49 74****Fax: +32 (0) 89 77 74 27**

Oude Bunders 1034
Breitwaterstraat 12a
B-3630 Maasmechelen Belgium

Sverige**Tel: +46 (0) 8 506 59500**

JLG Sverige AB
Enköpingsvägen 150
Box 704, SE-176 77 Järfälla

United Kingdom**Tel: +44 (0) 161 654 1000**

JLG Industries (United Kingdom) Limited
Bentley House, Bentley Avenue
Middleton, Greater Manchester
M24 2GP

JLG Industries, Inc.**Tel: +31 (0) 23 565 5665****Fax: +31 (0) 23 557 2493**

Polaris Avenue 63
2132 JH Hoofddorp
The Netherlands

www.jlgeurope.com

JLG Industries, Inc. is a leading designer and manufacturer of access equipment and complementary services and attachments.

JLG has manufacturing facilities in the United States, France, Romania, China and Belgium. Customers throughout Europe, Scandinavia, Africa and the Middle East benefit from a network of dedicated sales and service operations designed to deliver the highest levels of support.

JLG is an Oshkosh Corporation company.

JLG[®]
reachingout